

! Specifications and technical data are subject to change without notice.
Please contact us to confirm relevant information on ordering.



Smart Living
Green Ebasee

Shanghai Ebasee Electric Co., Ltd

Add: No.18, Gutang Rd, Shanghai 201209, China

Tel: +86 21 5032 0898

Fax: +86 21 5032 0828

http: //www.ebasee.com

Email: service@ebasee.com



Copy right reserved EBS.NO.2026



**INDUSTRIAL
PLUGS & SOCKETS**

EPL/ESO SERIES



Company

As a leading supplier in the low voltage electrical industry, Shanghai Ebasee Electric Co., Ltd. products have been used for residential, commercial and industrial applications. EBASEE brand is recognized for its quality and reliability in an ever-increasing number of markets worldwide.

Ebasee support our worldwide partners to compete against established global players, to deliver the most systematic and cost-effective products and service in the market.

"Smart Living, Green Ebasee"

30+

Years Experience



100+

Export Regions



8+

Overseas Branches



350+

Employees



40000+

Factory (m²)



3

Production Bases



Injection



Punching Machine



Manual Assembly

Global sales network map

Exported to over 100 countries worldwide, covering Europe, the Americas, Asia-Pacific, Middle East and Africa, our products are widely applied in data centers, ports, airports, and outdoor power distribution, delivering professional solutions.



Ebasee Distributors:

Latin Ameica



ECUADOR



DOMINICAN REPUBLIC



PERU



CHILE

Europe



ITALY



SPAIN



IRELAND



SLOVAKIA

Africa



TANZANIA



KENYA



GHANA



SEYCHELLES

Asia&Middle East



INDONESIA



THAILAND



PHILIPPINES

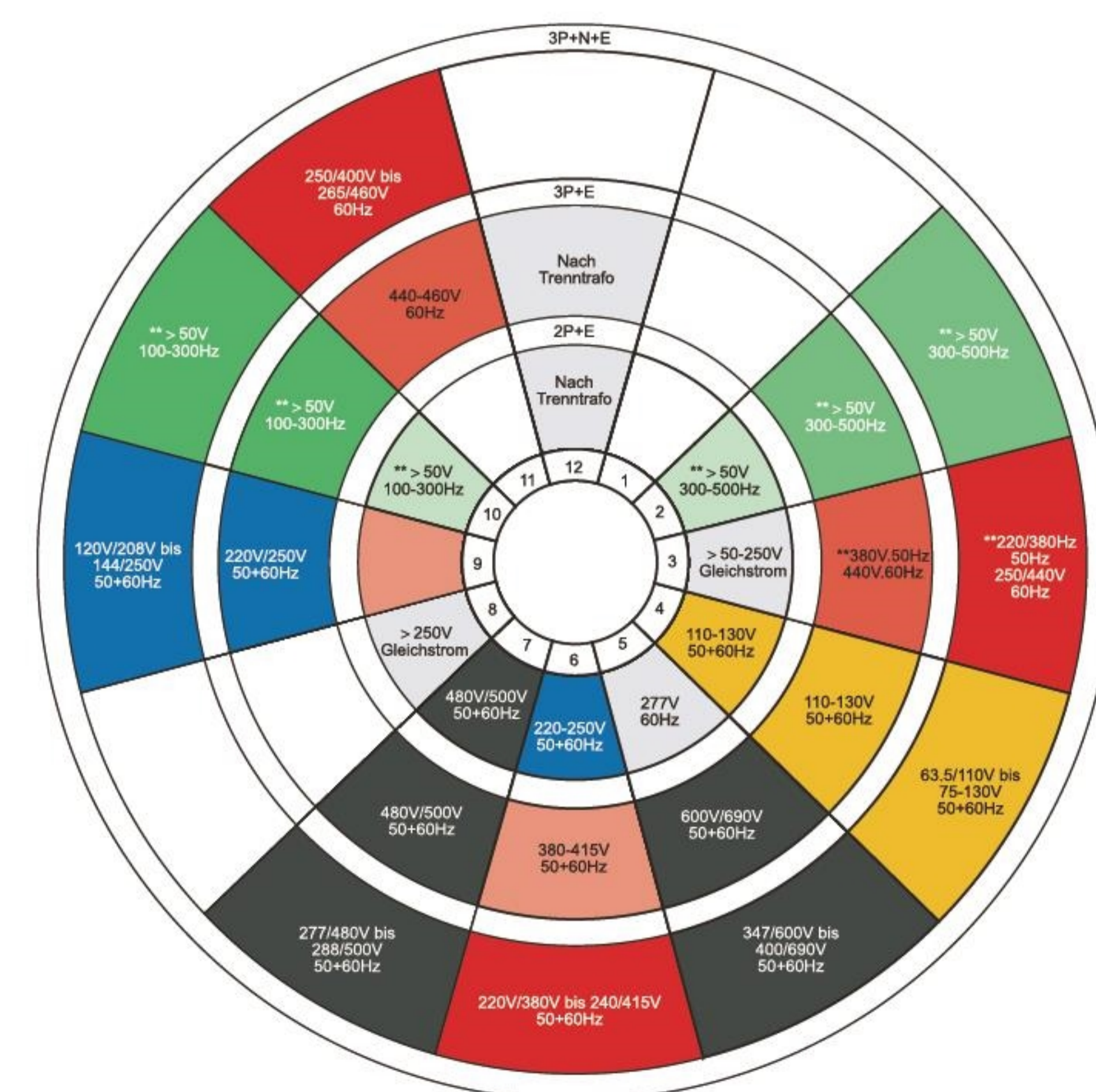


SAUDI ARABIA

1.Position of the earthing contact acc. To IEC60309-2

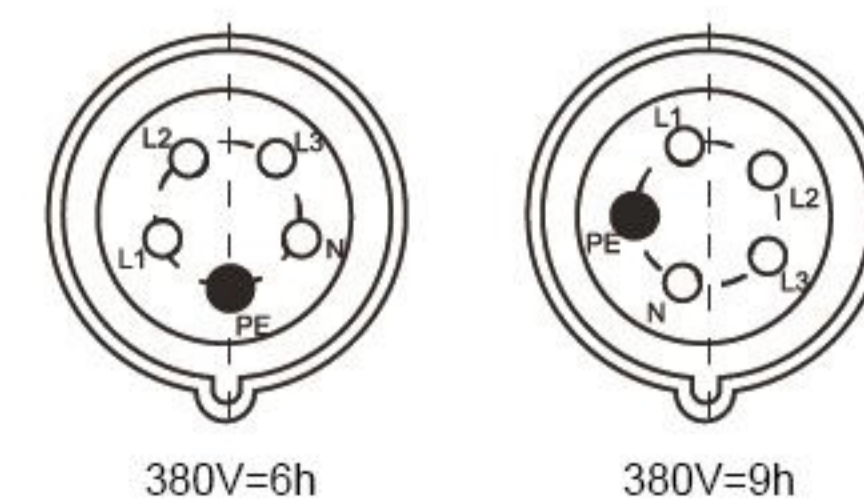
Spannung (V)	Frequency (Hz)	2P+E		3P+E		3P+N+E	
		16+32A	16+125A	16+32A	16+125A	16+32A	16+125A
63, 5/100 bis 75/130	50+60					4	4
110 bis 130	50+60	4	4	4	4		
120/208 bis 144/130	50+60					9	9
220 bis 250	50+60	6	6	9	9		
220/380 bis 240/130	50+60					6	6
220/380 bis 250/440	50+60					3	3*
250/400 bis 265/460	60					11	11
277	60	5	5				
277/480 bis 280/130	50+60					7	7
347/600 bis 400/690	50+60					5	5
380 bis 415	50+60	9	9	6	6		
380, 440	50+60			3	3*		
440 bis 460	60			11	11		
480 bis 500	50+60	7	7	7	7		
600 bis 690	50+60			5	5		
uber 50	100 bis 300	10*	10*	10*	10*	10*	10*
uber 50	>300 bis 500	2	2*	2	2*	2	2
ber 50 bis 250	Gleichstrom	3	3				
uber 250	Gleichstrom	8	8				
Versorgung nach Trenntransformator	50+60	12	12	12	12		

*nicht standard

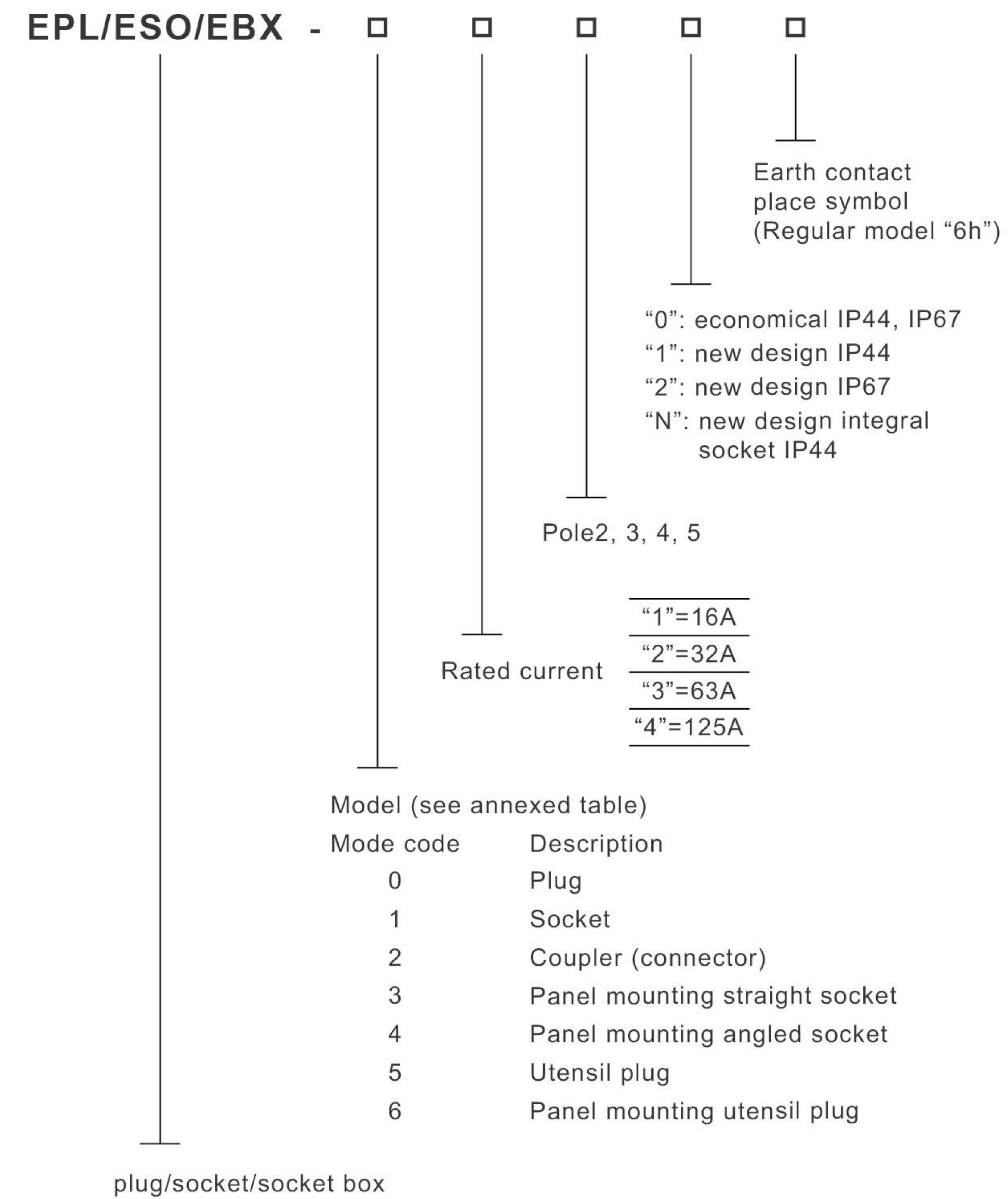


Voltage range(V)	Color code
20-25V	Violett
40-50V	weiß
100-130V	gelb
200-250V	blau
380-480V	rot
500-690V	schwarz
>60-500Hz	grün
ohne kennfarbe	gra

Position of the earthing contact.
View: frontside socket or connector



*Keine standardausfu hrung
**keing standardausfue hrung fur 63A, 125A



2.Technical Data

Rated voltage	AC: 24, 42, 110, 127, 220, 240, 380, 415, 660V DC: 24, 110, 220, 440V
Rated current	16, 32, 63, 125A
Rated frequency	50-60Hz
Poles	1P+N ⊕ (two poles) 2P+ ⊕ (three poles) 3P+ ⊕ (four poles) 3P+N+ ⊕ (five poles)
Earth contact place	time as clock set 1-12
Safety grade	IP44, IP55, IP67

3.IEC60309 Plugs and Socket-outlets for industrial Use Standards

E series industrial plugs and socket-outlets are in compliance with the following international standards: IEC60309-1 & IEC60309-2, CEIEN60309-1 & CEIEN60309-2, they are also in compliance with standarde: VDE0623 & BS4343.

4.Advantage

The base materials are NYLON6, which provides good features for the products, such as good insulating, resistant against most chemicals and salt-water, extremely cold-proof and almost unbreakable. For the advanced design they are suitable to be used in special environment, where IP44 or IP67 protection degree is required.



90° lid opening with pressure locking guaranteeing IP65.

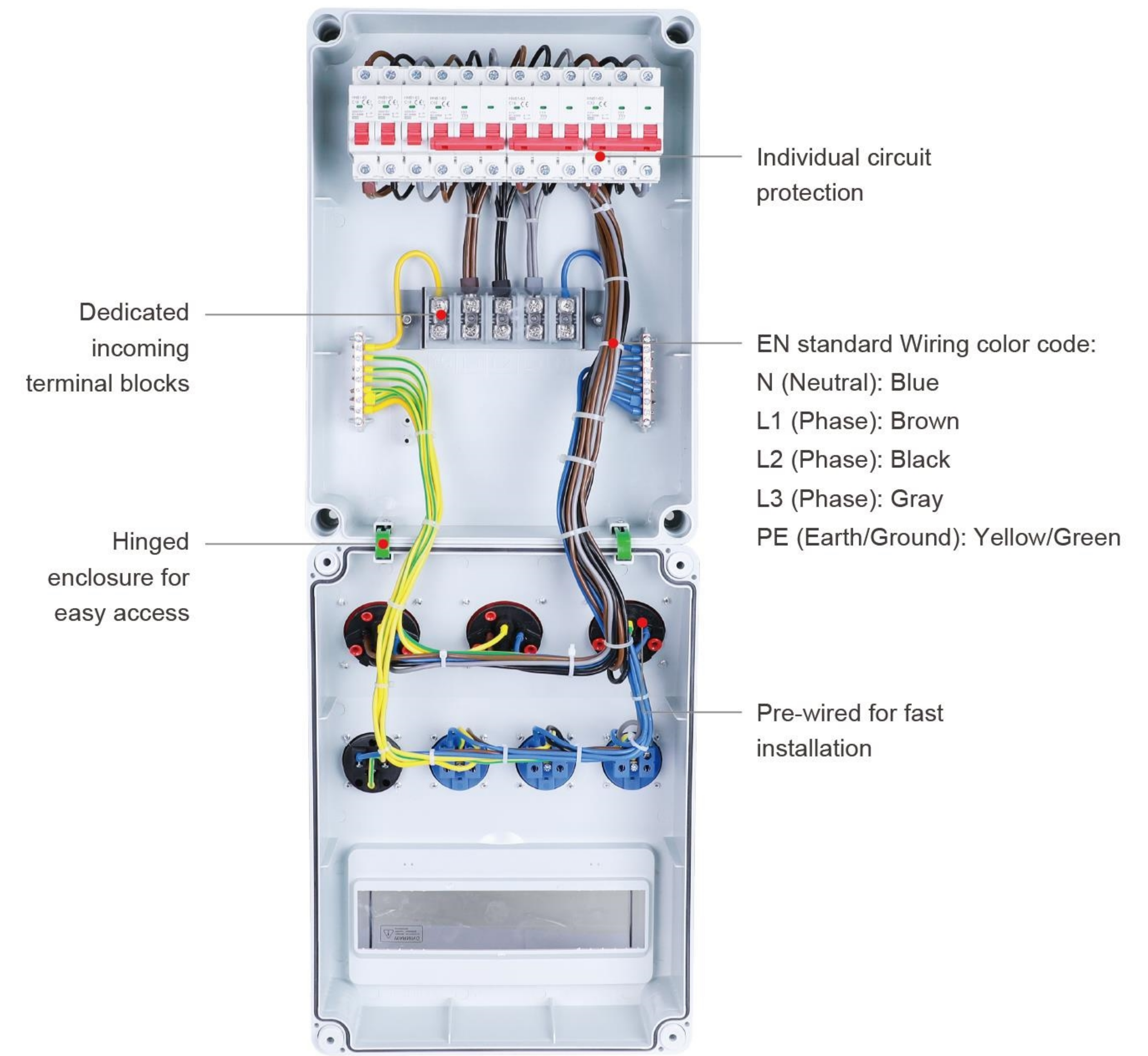
Plastic convenient knob screw



IP54 sockets made of PA6
Possibility of customized configurations

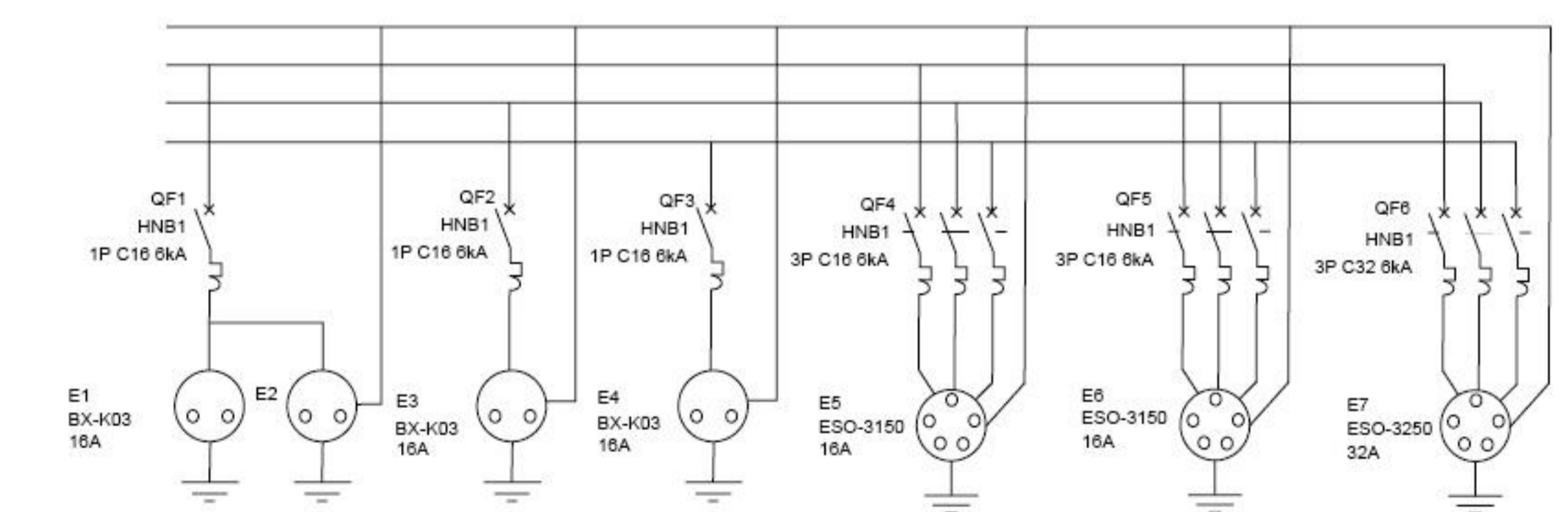
Fixed latch

Possibility of customized configurations

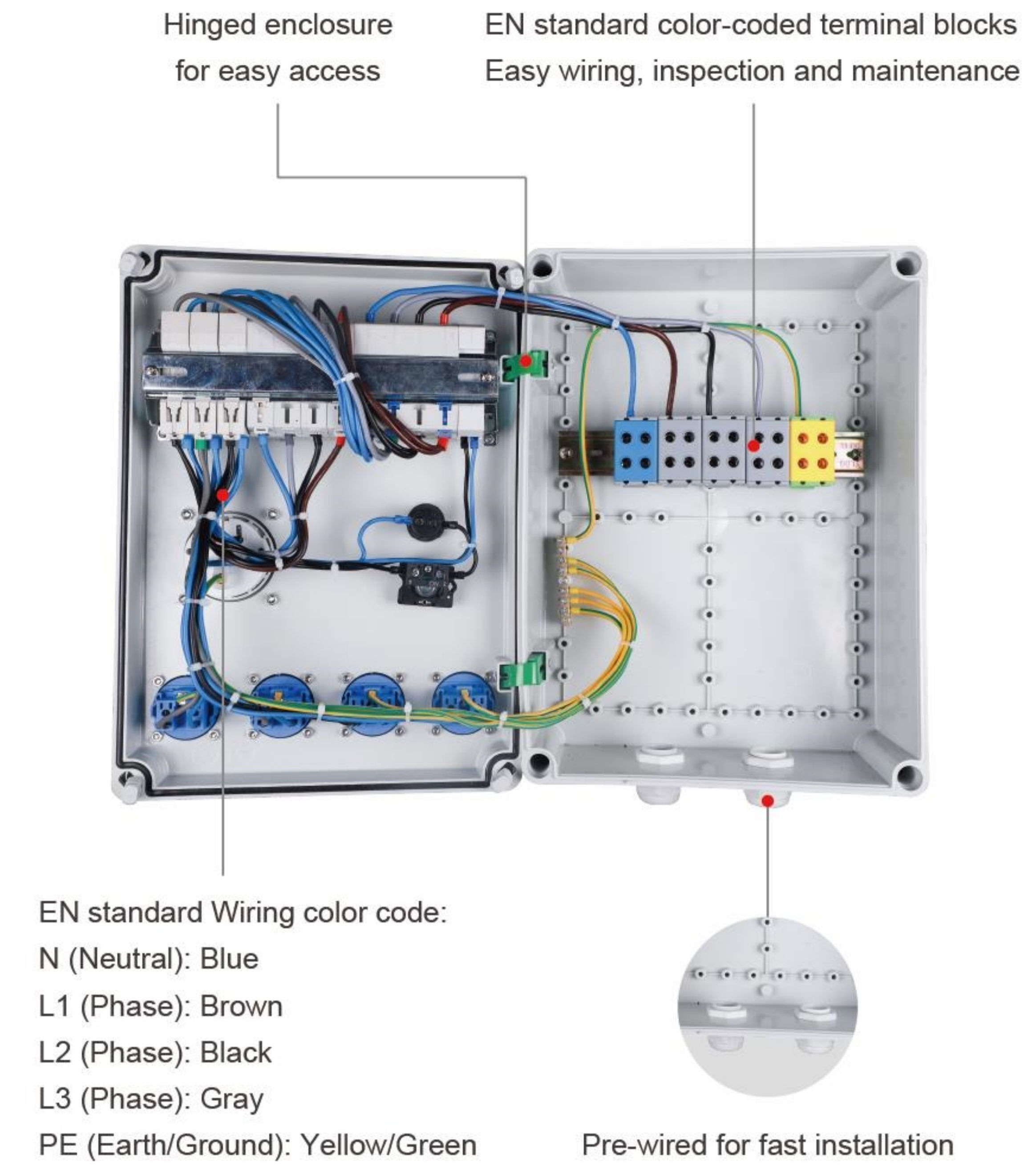


Picture	Model	Dimension (mm)	Name of subassembly	Specifications
	EBX-P-01	280*155*380mm; 12M	4 German socket	1P+N+E 16A 250A IP54
			2 Industrial socket	3P+N+E 16A 415V IP44
			1 Industrial socket	3P+N+E 32A 415V IP44
			3 Circuit breaker	1P 16A Curve C 6KA
			2 Circuit breaker	3P 16A Curve C 6KA
			1 Circuit breaker	3P 32A Curve C 6KA

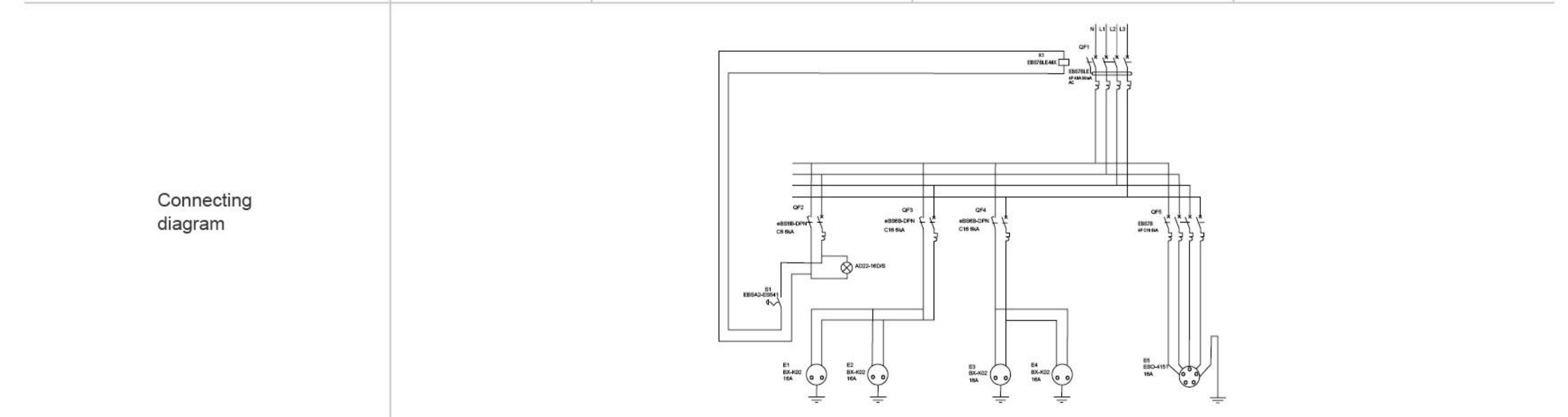
Connecting diagram



Model	Mark	Description	Quantity	Ebasee's code
	QF1-QF2-QF3	1P 16A Curve C 6KA	3	HNB1
	QF4-QF5	3P 16A Curve C 6KA	2	HNB1
	QF6	3P 32A Curve C 6KA	1	HNB1
	E1-E2-E3-E4	1P+N+E 16A 250A IP54	4	BX-K03
	E5-E6	3P+N+E 16A 415V IP44	2	ESO-3150
	E7	3P+N+E 32A 415V IP44	1	ESO-3250



Picture	Model	Dimension (mm)	Name of subassembly	Specifications
	BX01-04	280*380*130mm; 13M	1 Differential Circuit breaker	4Px40A 30mA Type-AC
			1 Circuit breaker	1P+N 6A Curve C 6KA
			1 Shunt release	6A 230V
			1 Emergency stop	NO
			1 Green LED Light indicator	GREEN
			1 Circuit breaker	3P+N 16A Curve C 6KA
			2 Circuit breaker	1P+N 16A Curve C 6KA
			4 Domestic French Socket	1P+N+E 16A IP54
			1 Industrial Socket	3P+N+E 16A IP44

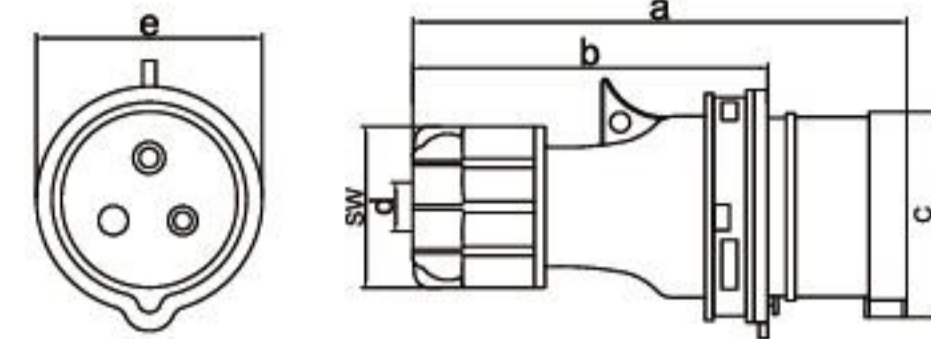


Mark	Description	Quantity	Ebasee's code
QF1	RCBO 4Px40A 30mA Type-AC	1	EBS7BLE
QF2	MCB 1P+N 6A Curve C 6KA	1	eBS6B-DPN
QF3-QF4	MCB 1P+N 16A Curve C 6KA	2	eBS6B-DPN
QF5	MCB 3P+N 16A Curve C 6KA	1	EBS7B
E1-E2-E3-E4	French socket 16A 250V IP54	4	BX-K02
E5	Industrial socket 3P+N+E 16A IP44	1	ESO-3151
K1	Shunt release 6A 230V	1	EBS7BLE-MX
S1	Emergency stop 1NO	1	EBSA2-ES541
LED	GREEN	1	AD22-16D/S

IP44 EPL/ESO



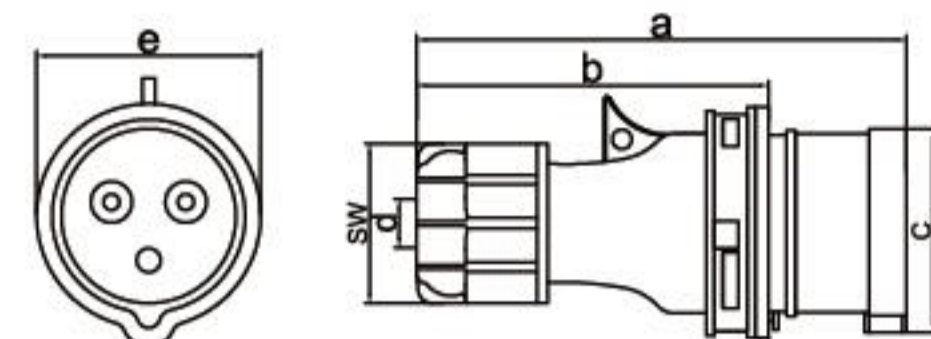
**SN-0131-4
SN-0231-4**
Current(A): 16A, 32A
Voltage(V): 110-130V~
Protection degree: IP44
2P+E



Earth contact position	Rated current (A)	Pole	Dimension(mm)						Cable nominal cross-section area (mm ²)
			a	b	c	d	e	sw	
4h	16	3	133	97	47	11	53	41	1-2.5
	32		163	116	63	14	68	51	2.5-6



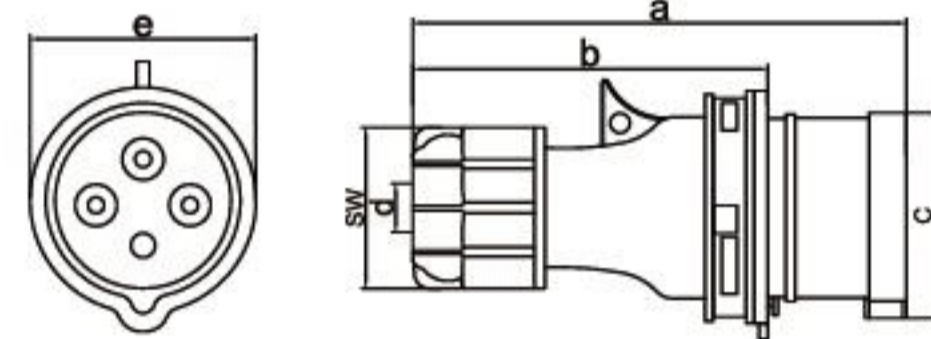
**SN-0131
SN-0231**
Current(A): 16A, 32A
Voltage(V): 220-240V~
Protection degree: IP44
2P+E



Earth contact position	Rated current (A)	Pole	Dimension(mm)						Cable nominal cross-section area (mm ²)
			a	b	c	d	e	sw	
6h	16	3	130	93	46	5	53	40	1-2.5
	32		163	116	63	14	68	51	2.5-6



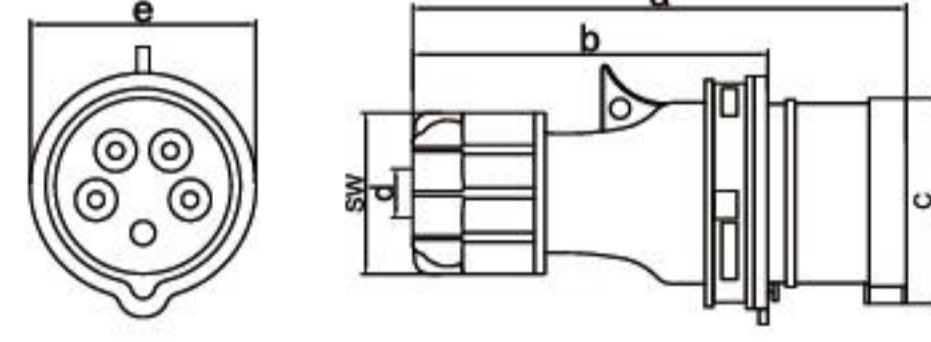
**SN-0141
SN-0241**
Current(A): 16A, 32A
Voltage(V): 380-415V~
Protection degree: IP44
3P+E



Earth contact position	Rated current (A)	Pole	Dimension(mm)						Cable nominal cross-section area (mm ²)
			a	b	c	d	e	sw	
6h	16	4	135	98	53	4	60	40	1-2.5
	32		163	116	63	14	68	51	2.5-6



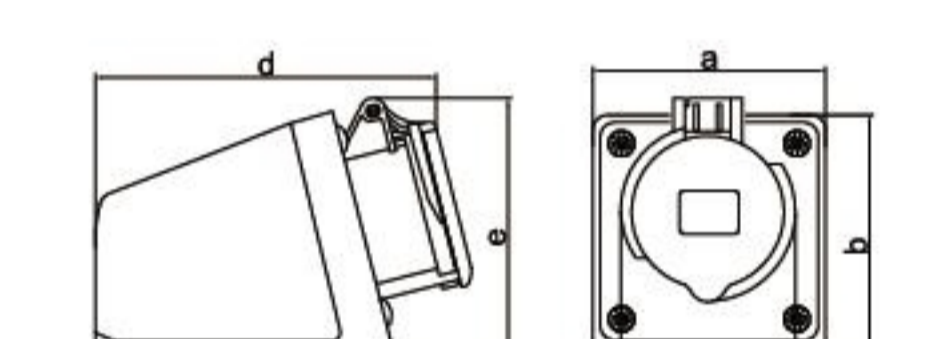
**SN-0151
SN-0251**
Current(A): 16A, 32A
Voltage(V): 220-380V~
240-415V~
Protection degree: IP44
3P+N+E



Earth contact position	Rated current (A)	Pole	Dimension(mm)						Cable nominal cross-section area (mm ²)
			a	b	c	d	e	sw	
6h	16	5	145	108	60	12	66	40	1-2.5
	32		170	126	70	14	75	51	2.5-6



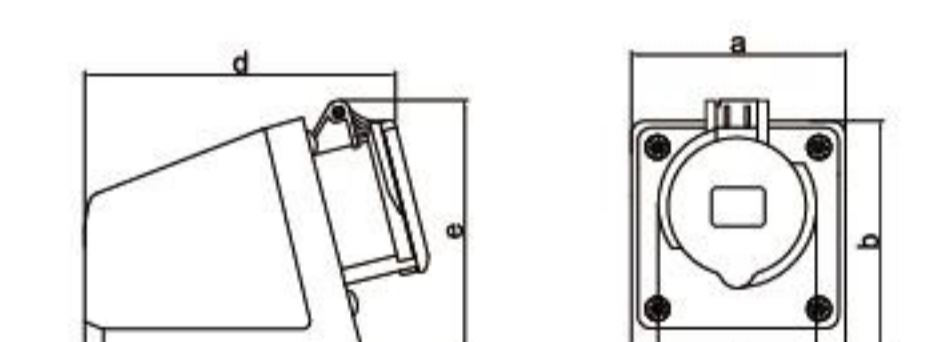
**SN-1131-4
SN-1231-4**
Current(A): 16A, 32A
Voltage(V): 110-130V~
Protection degree: IP44
2P+E



Earth contact position	Rated current (A)	Pole	Dimension(mm)					Cable nominal cross-section area (mm ²)
			a	b	c	d	e	
6h	16	3	80	90	59	127	94	1-2.5
	32		80	90	82	137	103	2.5-6



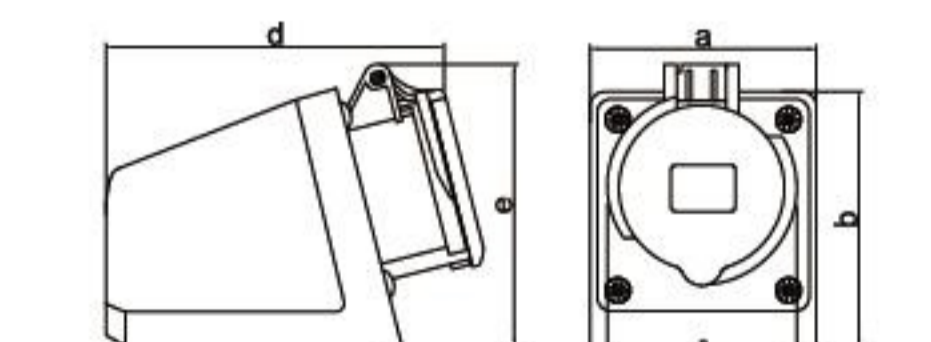
**SN-1131
SN-1231**
Current(A): 16A, 32A
Voltage(V): 220-240V~
Protection degree: IP44
2P+E



Earth contact position	Rated current (A)	Pole	Dimension(mm)					Cable nominal cross-section area (mm ²)
			a	b	c	d	e	
6h	16	3	80	90	59	127	95	1-2.5
	32		80	90	82	140	105	2.5-6



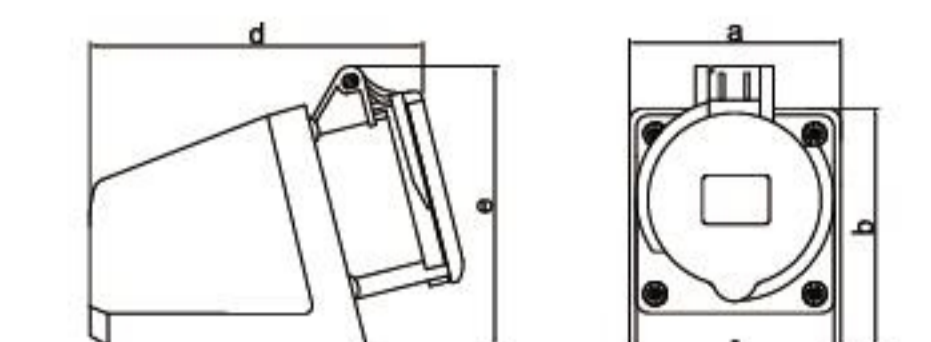
**SN-1141
SN-1241**
Current(A): 16A, 32A
Voltage(V): 380-415V~
Protection degree: IP44
3P+E



Earth contact position	Rated current (A)	Pole	Dimension(mm)					Cable nominal cross-section area (mm ²)
			a	b	c	d	e	
6h	16	4	80	90	67	127	97	1-2.5
	32		80	90	82	140	105	2.5-6



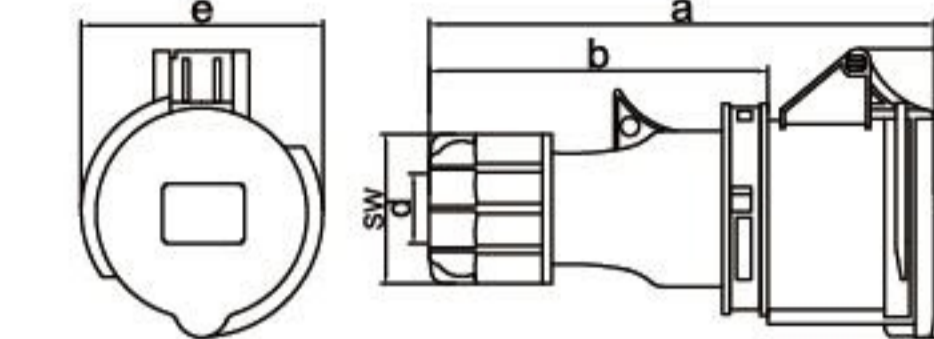
**SN-1151
SN-1251**
Current(A): 16A, 32A
Voltage(V): 220-380V~
240-415V~
Protection degree: IP44
3P+N+E



Earth contact position	Rated current (A)	Pole	Dimension(mm)					Cable nominal cross-section area (mm ²)
			a	b	c	d	e	
6h	16	5	80	90	75	127	101	1-2.5
	32		80	90	89	142	113	2.5-6



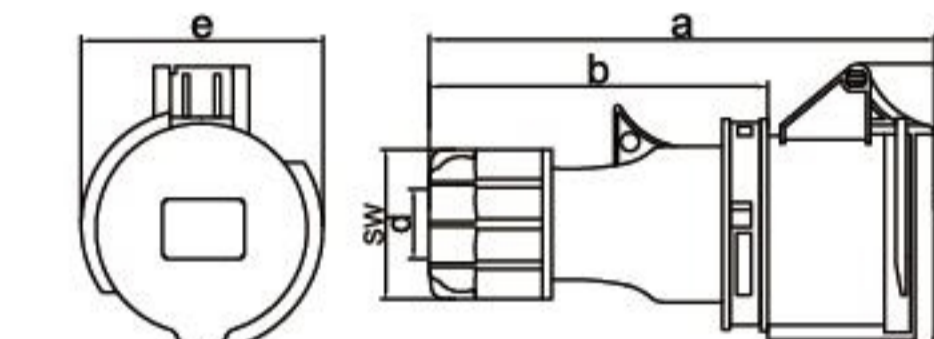
**SN-2131-4
SN-2231-4**
Current(A): 16A, 32A
Voltage(V): 110-130V~
Protection degree: IP44
2P+E



Earth contact position	Rated current (A)	Pole	Dimension(mm)						Cable nominal cross-section area (mm ²)
			a	b	c	d	e	sw	
4h	16	3	139	93	76	13	60	41	1-2.5
	32		173	113	93	14	81	51	2.5-6



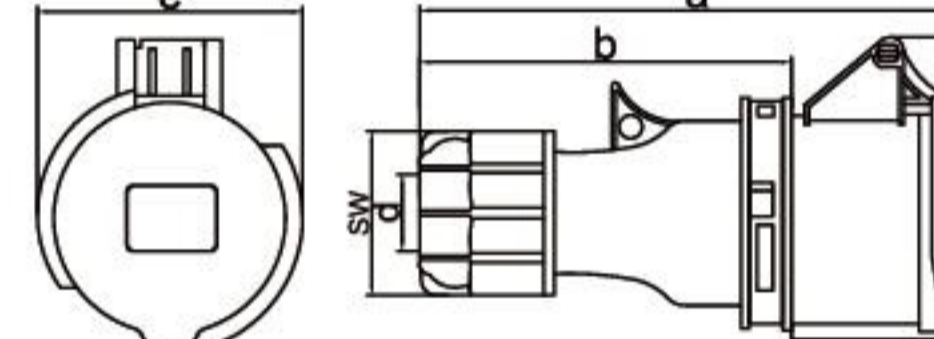
**SN-2131
SN-2231**
Current(A): 16A, 32A
Voltage(V): 220-240V~
Protection degree: IP44
2P+E



Earth contact position	Rated current (A)	Pole	Dimension(mm)						Cable nominal cross-section area (mm ²)
			a	b	c	d	e	sw	
6h	16	3	135	90	75	5	60	41	1-2.5
	32		173	115	94	14	82	51	2.5-6



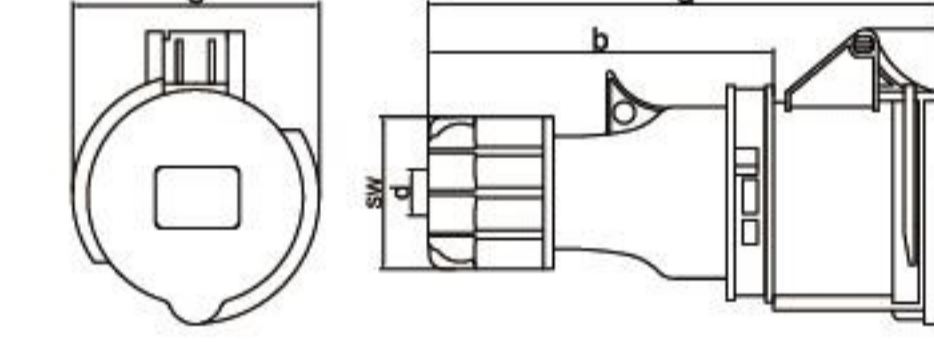
**SN-2141
SN-2241**
Current(A): 16A, 32A
Voltage(V): 380-415V~
Protection degree: IP44
3P+E



Earth contact position	Rated current (A)	Pole	Dimension(mm)						Cable nominal cross-section area (mm ²)
			a	b	c	d	e	sw	
6h	16	4	140	95	82	5	67	41	1-2.5
	32		173	115	94	14	82	51	2.5-6



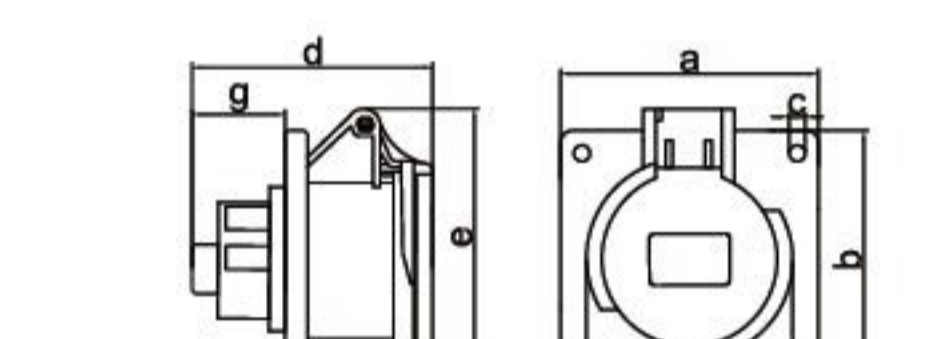
**SN-2151
SN-2251**
Current(A): 16A, 32A
Voltage(V): 220-380V~
240-415V~
Protection degree: IP44
3P+N+E



Earth contact position	Rated current (A)	Pole	Dimension(mm)						Cable nominal cross-section area (mm ²)
			a	b	c	d	e	sw	
6h	16	5	151	105	90	11	75	41	1-2.5
	32		183	123	105	14	89	51	2.5-6



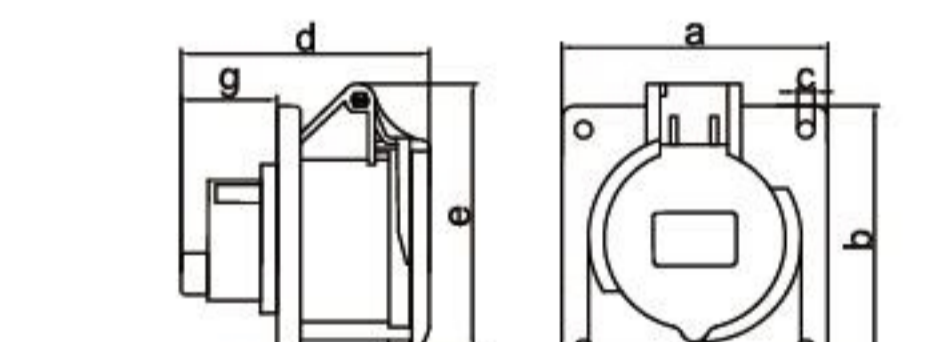
**SN-3131-4
SN-3231-4**
Current(A): 16A, 32A
Voltage(V): 110-130V~
Protection degree: IP44
2P+E



Earth contact position	Rated current (A)	Pole	Dimension(mm)							Cable nominal cross-section area (mm ²)
			a	b	c	d	e	f	g	
4h	16	3	75	75	5	75	75	60	28	1-2.5
	32		75	75	5	88	93	81	30	2.5-6



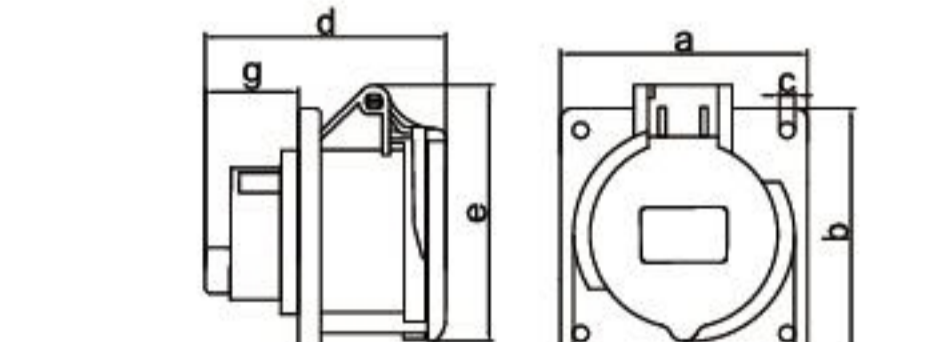
**SN-3131
SN-3231**
Current(A): 16A, 32A
Voltage(V): 220-240V~
Protection degree: IP44
2P+E



Earth contact position	Rated current (A)	Pole	Dimension(mm)							Cable nominal cross-section area (mm ²)
			a	b	c	d	e	f	g	
6h	16	3	75	75	5	74	75	60	28	1-2.5
	32		75	75	5	88	93	82	29	2.5-6



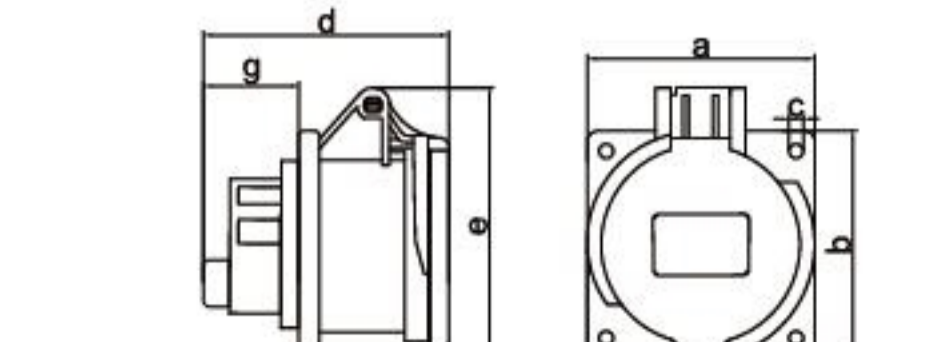
**SN-3141
SN-3241**
Current(A): 16A, 32A
Voltage(V): 380-415V~
Protection degree: IP44
3P+E



Earth contact position	Rated current (A)	Pole	Dimension(mm)							Cable nominal cross-section area (mm ²)
			a	b	c	d	e	f	g	
6h	16	4	75	75	5	74	82	67	28	1-2.5
	32		75	75	5	88	93	82	30	2.5-6



**SN-3151
SN-3251**
Current(A): 16A, 32A
Voltage(V): 220-380V~
240-415V~
Protection degree: IP44
3P+N+E

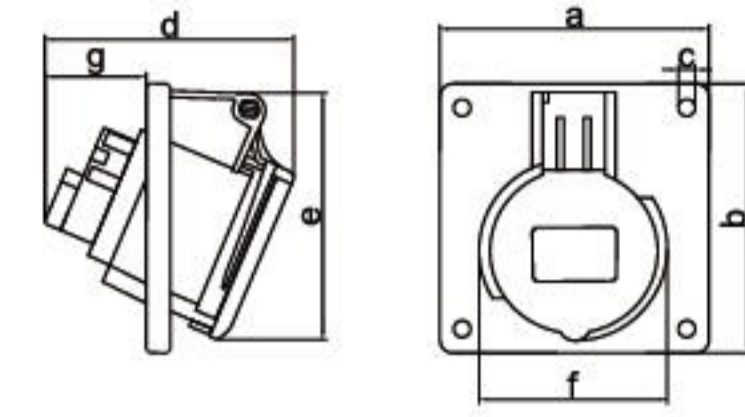


Earth contact position	Rated current (A)	Pole	Dimension(mm)							Cable nominal cross-section area (mm ²)
			a	b	c	d	e	f	g	
6h	16	5	75	75	5	73	89	75	28	1-2.5
	32		75	75	5	88	104	88	25	2.5-6

IP44 EPL/ESO



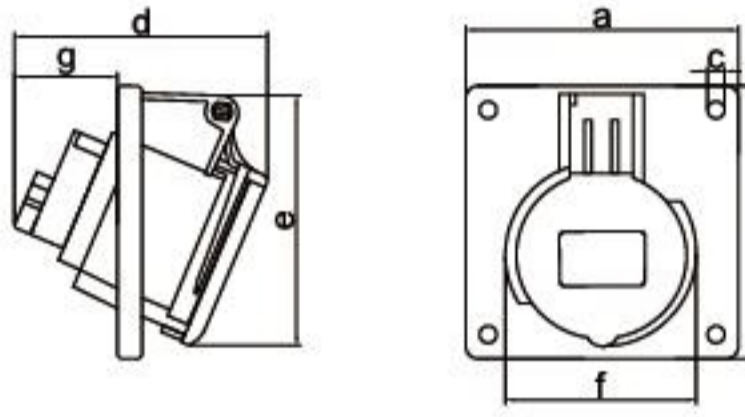
SN-4131-4
SN-4231-4
Current(A): 16A, 32A
Voltage(V): 110-130V~
Protection degree: IP44
2P+E



Earth contact position	Rated current (A)	Pole	Dimension(mm)							Cable nominal cross-section area (mm ²)
			a	b	c	d	e	f	g	
4h	16	3	85	85	5	82	77	59	35	1-2.5
	32		85	85	5	100	94	81	45	2.5-6



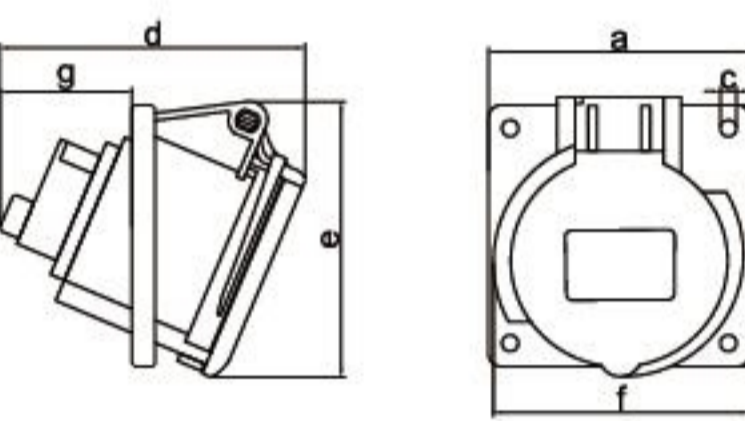
SN-4131
SN-4231
Current(A): 16A, 32A
Voltage(V): 220-240V~
Protection degree: IP44
2P+E



Earth contact position	Rated current (A)	Pole	Dimension(mm)							Cable nominal cross-section area (mm ²)
			a	b	c	d	e	f	g	
6h	16	3	85	85	5	83	77	59	35	1-2.5
	32		85	85	5	100	94	81	45	2.5-6



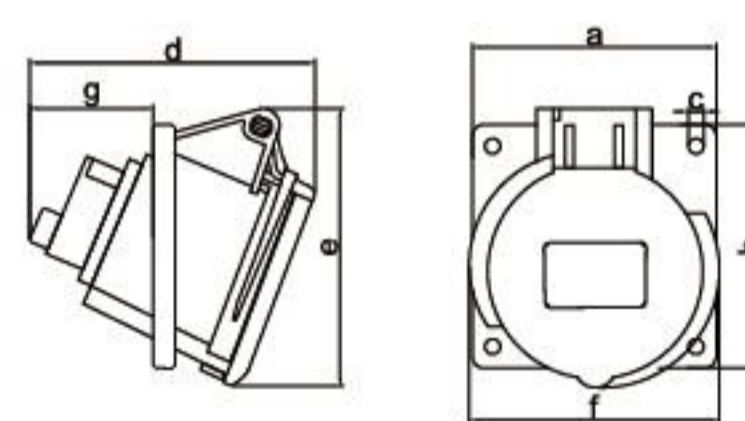
SN-4141
SN-4241
Current(A): 16A, 32A
Voltage(V): 380-415V~
Protection degree: IP44
3P+E



Earth contact position	Rated current (A)	Pole	Dimension(mm)							Cable nominal cross-section area (mm ²)
			a	b	c	d	e	f	g	
6h	16	4	85	85	5	82	77	59	35	1-2.5
	32		85	85	5	100	94	81	48	2.5-6



SN-4151
SN-4251
Current(A): 16A, 32A
Voltage(V): 220-380V~
240-415V~
Protection degree: IP44
3P+N+E



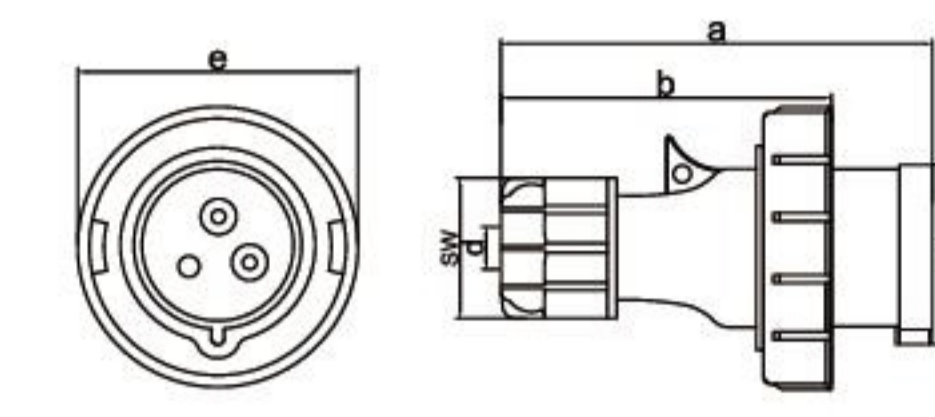
Earth contact position	Rated current (A)	Pole	Dimension(mm)							Cable nominal cross-section area (mm ²)
			a	b	c	d	e	f	g	
6h	16	5	85	85	5	82	77	59	35	1-2.5
	32		85	85	5	100	105	88	40	2.5-6



IP67 EPL/ESO



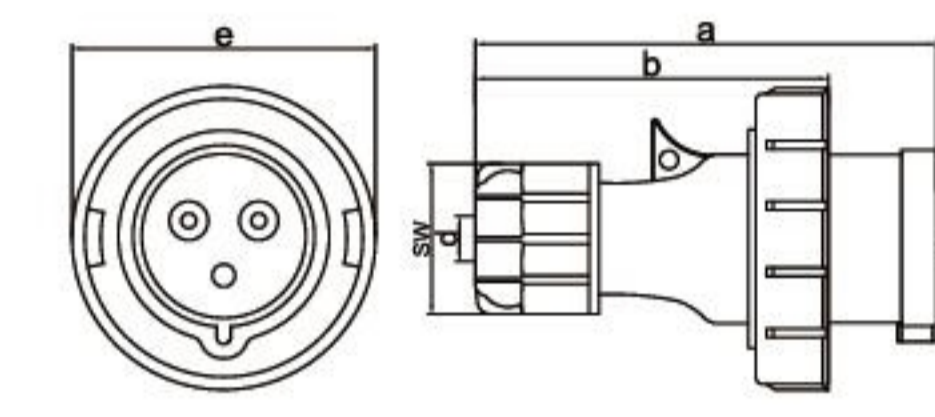
SN-0132-4
SN-0232-4
Current(A): 16A, 32A
Voltage(V): 110-130V~
Protection degree: IP67
2P+E



Earth contact position	Rated current (A)	Pole	Dimension(mm)							Cable nominal cross-section area (mm ²)
			a	b	c	d	e	sw		
4h	16	3	134	102	47	12	71	41	1-2.5	
	32		168	124	63	13	93	51	2.5-6	



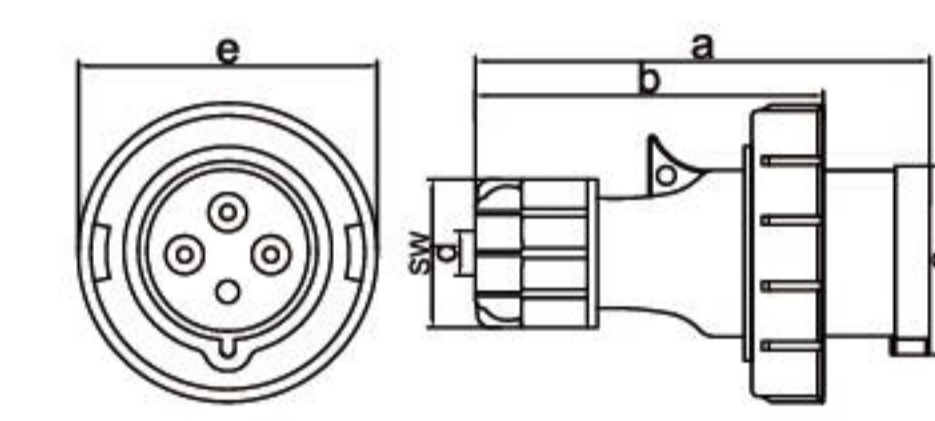
SN-0132
SN-0232
Current(A): 16A, 32A
Voltage(V): 220-240V~
Protection degree: IP67
2P+E



Earth contact position	Rated current (A)	Pole	Dimension(mm)							Cable nominal cross-section area (mm ²)
			a	b	c	d	e	sw		
6h	16	3	134	102	47	12	71	41	1-2.5	
	32		160	122	63	13	95	50	2.5-6	



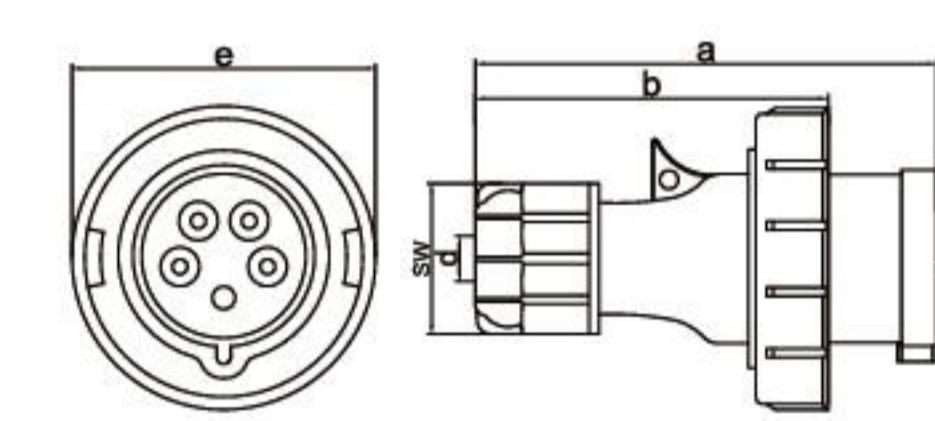
SN-0142
SN-0242
Current(A): 16A, 32A
Voltage(V): 380-415V~
Protection degree: IP67
3P+E



Earth contact position	Rated current (A)	Pole	Dimension(mm)							Cable nominal cross-section area (mm ²)
			a	b	c	d	e	sw		
6h	16	4	135	102	53	5	80	40	1-2.5	
	32		160	122	63	13	95	50	2.5-6	



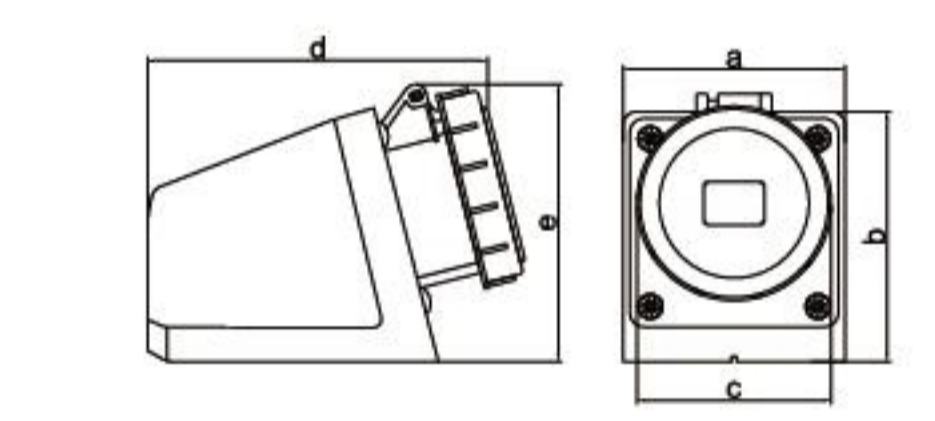
SN-0152
SN-0252
Current(A): 16A, 32A
Voltage(V): 220-380V~
240-415V~
Protection degree: IP67
3P+N+E



Earth contact position	Rated current (A)	Pole	Dimension(mm)							Cable nominal cross-section area (mm ²)
			a	b	c	d	e	sw		
6h	16	5	145	113	60	13	87	41	1-2.5	
	32		170	133	70	14	100	51	2.5-6	



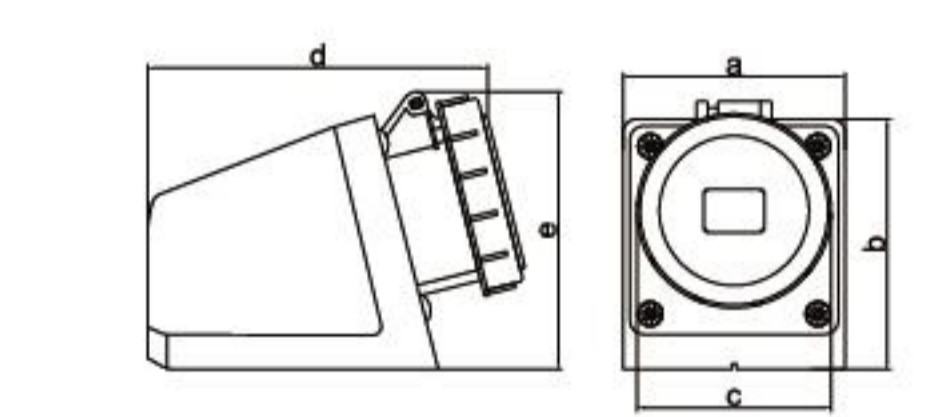
SN-1132-4
SN-1232-4
Current(A): 16A, 32A
Voltage(V): 110-130V~
Protection degree: IP67
2P+E



Earth contact position	Rated current (A)	Pole	Dimension(mm)					Cable nominal cross-section area (mm ²)
			a	b	c	d	e	
4h	16	3	80	90	70	132	96	1-2.5
	32		80	90	92	143	104	2.5-6



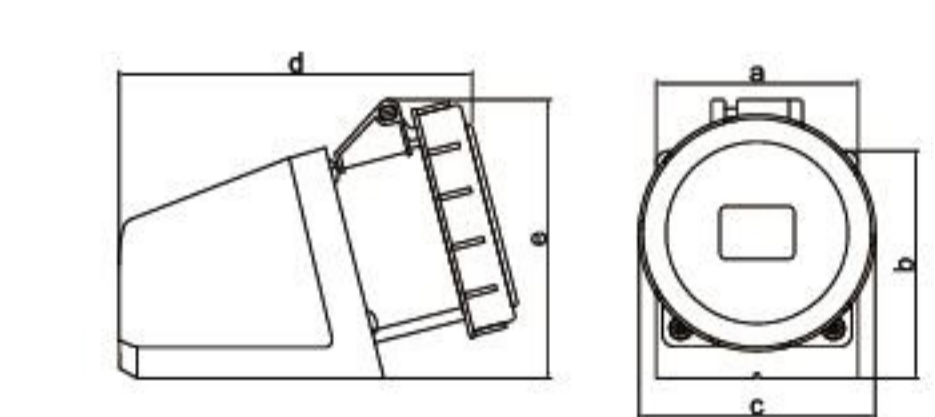
SN-1132
SN-1232
Current(A): 16A, 32A
Voltage(V): 220-240V~
Protection degree: IP67
2P+E



Earth contact position	Rated current (A)	Pole	Dimension(mm)					Cable nominal cross-section area (mm ²)
			a	b	c	d	e	
6h	16	3	80	90	70	132	96	1-2.5
	32		80	90	92	144	104	2.5-6



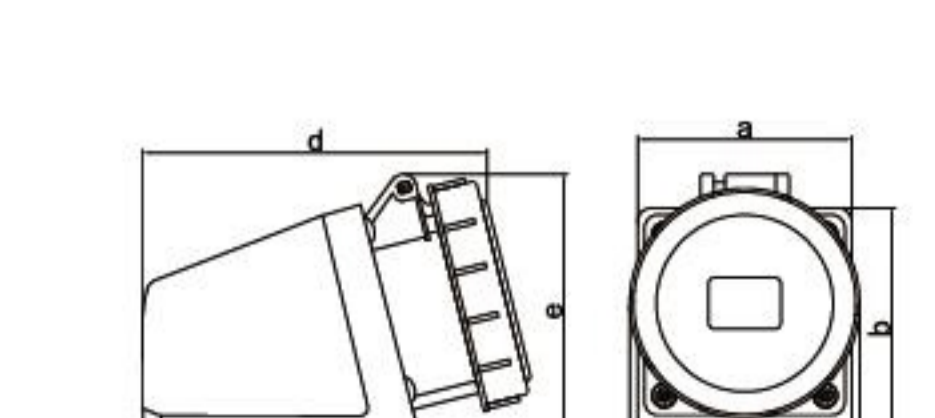
SN-1142
SN-1242
Current(A): 16A, 32A
Voltage(V): 380-415V~
Protection degree: IP67
3P+E



Earth contact position	Rated current (A)	Pole	Dimension(mm)					Cable nominal cross-section area (mm ²)
			a	b	c	d	e	
6h	16	4	80	90	78	132	98	1-2.5
	32		80	90	92	143	104	2.5-6



SN-1152
SN-1252
Current(A): 16A, 32A
Voltage(V): 220-380V~
240-415V~
Protection degree: IP67
3P+N+E

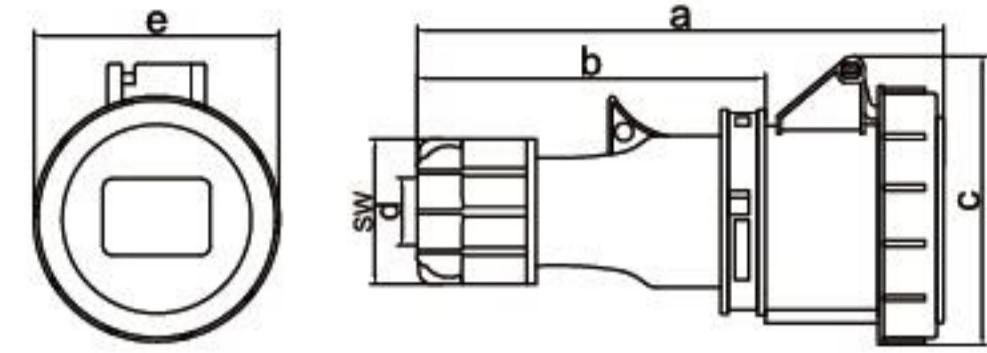


Earth contact position	Rated current (A)	Pole	Dimension(mm)					Cable nominal cross-section area (mm ²)
			a	b	c	d	e	
6h	16	5	80	90	86	132	101	1-2.5
	32		80	90	100	148	112	2.5-6

IP67 EPL/ESO



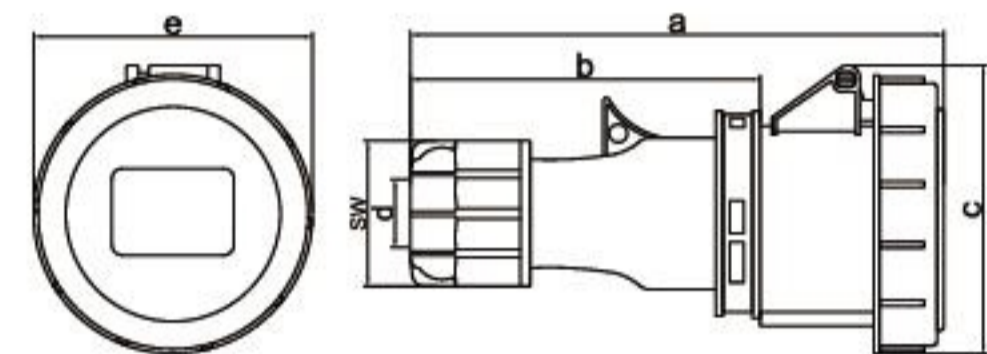
SN-2132-4
SN-2232-4
Current(A): 16A, 32A
Voltage(V): 110-130V~
Protection degree: IP67



Earth contact position	Rated current (A)	Pole	Dimension(mm)							Cable nominal cross-section area (mm ²)
			a	b	c	d	e	f	g	
4h	16	3	145	94	80	13	70	41	1-2.5	
	32		180	114	96	13	92	51	2.5-6	



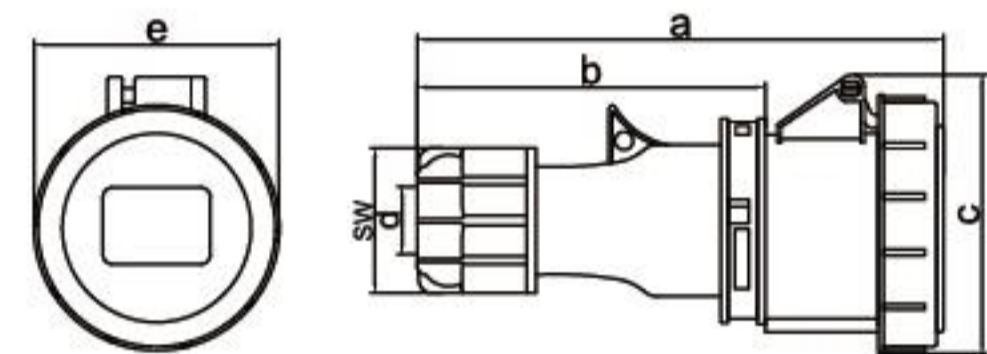
SN-2132
SN-2232
Current(A): 16A, 32A
Voltage(V): 220-240V~
Protection degree: IP67



Earth contact position	Rated current (A)	Pole	Dimension(mm)							Cable nominal cross-section area (mm ²)
			a	b	c	d	e	f	g	
6h	16	3	144	94	80	12	70	41	1-2.5	
	32		175	108	95	7	92	51	2.5-6	



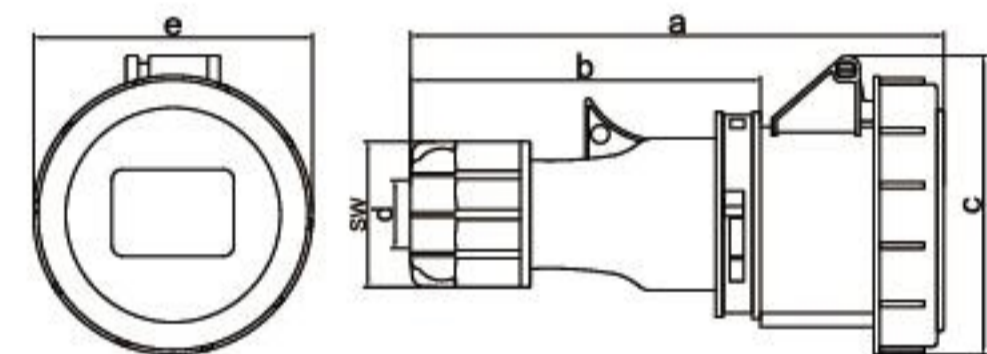
SN-2142
SN-2242
Current(A): 16A, 32A
Voltage(V): 380-415V~
Protection degree: IP67



Earth contact position	Rated current (A)	Pole	Dimension(mm)							Cable nominal cross-section area (mm ²)
			a	b	c	d	e	f	g	
6h	16	4	146	95	84	4	79	41	1-2.5	
	32		175	110	97	13	92	51	2.5-6	



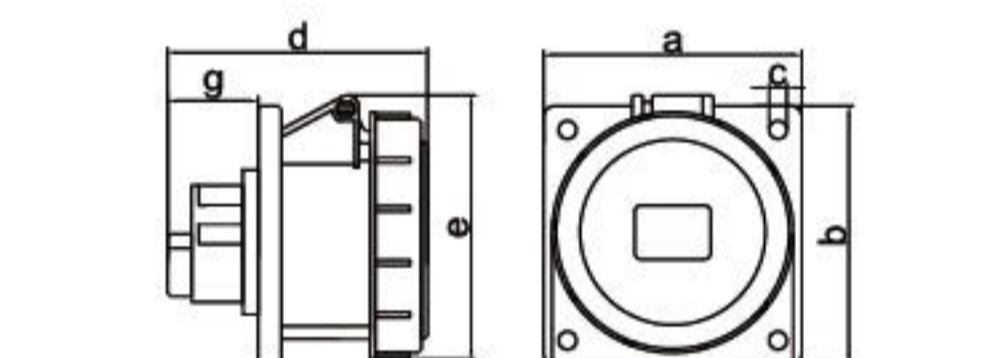
SN-2152
SN-2252
Current(A): 16A, 32A
Voltage(V): 220-380V~
240-415V~
Protection degree: IP67



Earth contact position	Rated current (A)	Pole	Dimension(mm)							Cable nominal cross-section area (mm ²)
			a	b	c	d	e	f	g	
6h	16	5	160	106	94	12	87	41	1-2.5	
	32		185	120	108	10	99	51	2.5-6	



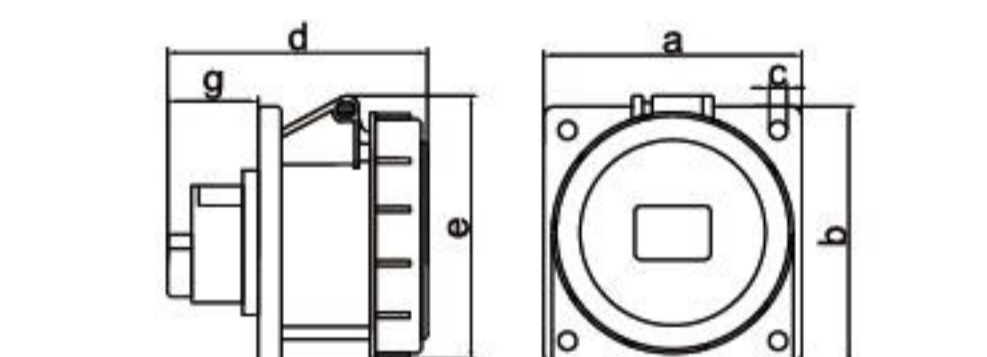
SN-3132-4
SN-3232-4
Current(A): 16A, 32A
Voltage(V): 110-130V~
Protection degree: IP67



Earth contact position	Rated current (A)	Pole	Dimension(mm)							Cable nominal cross-section area (mm ²)
			a	b	c	d	e	f	g	
4h	16	3	75	75	5	78	80	70	28	1-2.5
	32		75	75	5	95	96	92	32	2.5-6



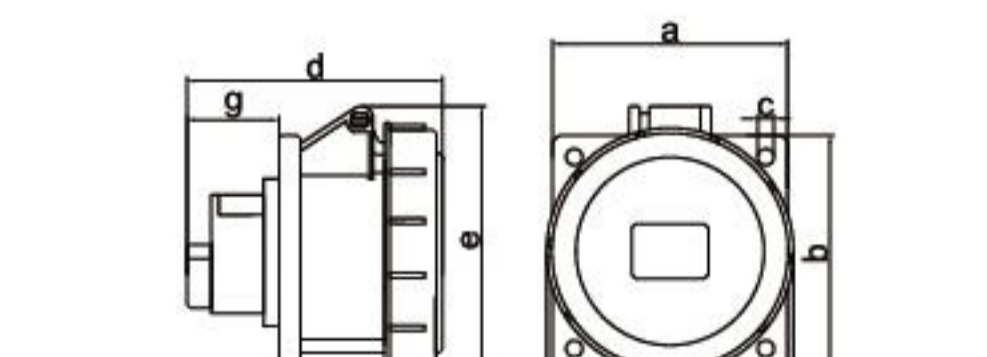
SN-3132
SN-3232
Current(A): 16A, 32A
Voltage(V): 220-240V~
Protection degree: IP67



Earth contact position	Rated current (A)	Pole	Dimension(mm)							Cable nominal cross-section area (mm ²)
			a	b	c	d	e	f	g	
6h	16	3	75	75	5	78	80	70	28	1-2.5
	32		75	75	5	94	97	92	29	2.5-6



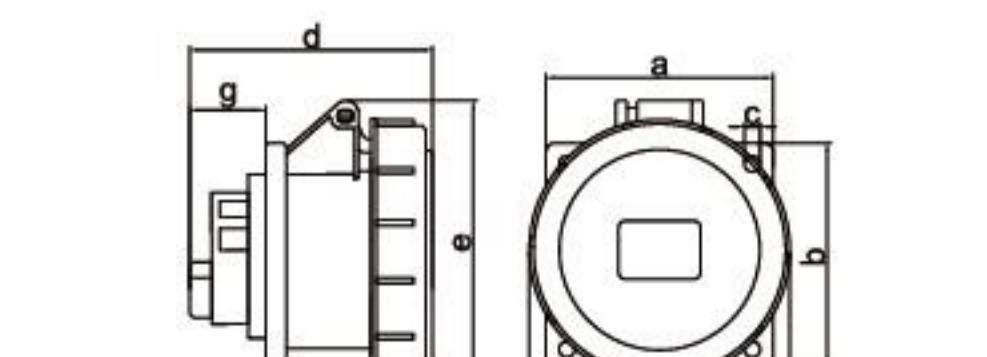
SN-3142
SN-3242
Current(A): 16A, 32A
Voltage(V): 380-415V~
Protection degree: IP67



Earth contact position	Rated current (A)	Pole	Dimension(mm)							Cable nominal cross-section area (mm ²)
			a	b	c	d	e	f	g	
6h	16	4	75	75	5	78	85	78	28	1-2.5
	32		75	75	5	93	98	92	30	2.5-6



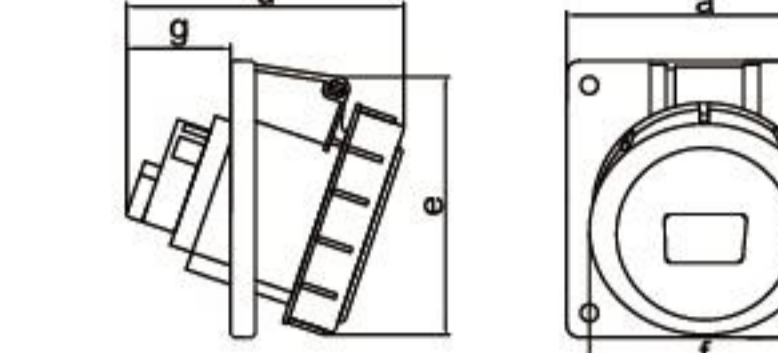
SN-3152
SN-3252
Current(A): 16A, 32A
Voltage(V): 220-380V~
240-415V~
Protection degree: IP67



Earth contact position	Rated current (A)	Pole	Dimension(mm)							Cable nominal cross-section area (mm ²)
			a	b	c	d	e	f	g	
6h	16	5	75	75	5	79	94	86	28	1-2.5
	32		75	75	5	94	108	99	25	2.5-6



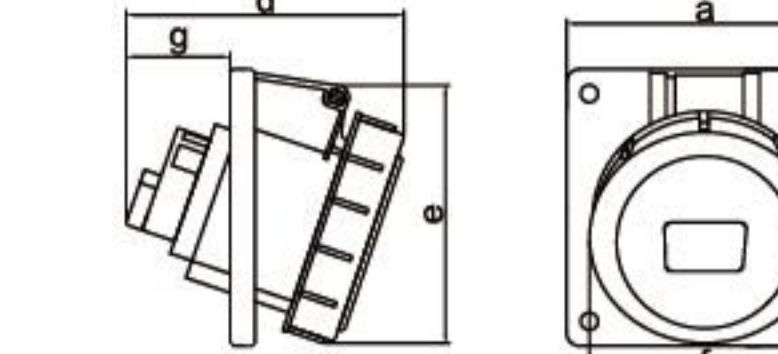
SN-4132-4
SN-4232-4
Current(A): 16A, 32A
Voltage(V): 110-130V~
Protection degree: IP67



Earth contact position	Rated current (A)	Pole	Dimension(mm)							Cable nominal cross-section area (mm ²)
			a	b	c	d	e	f	g	
4h	16	3	85	85	5	85	80	70	34	1-2.5
	32		85	85	5	100	98	92	45	2.5-6



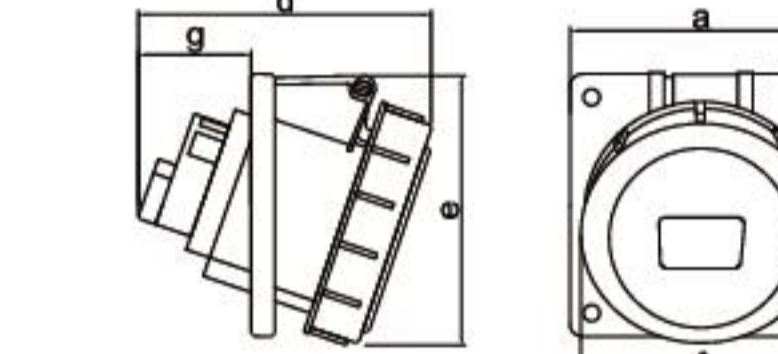
SN-4132
SN-4232
Current(A): 16A, 32A
Voltage(V): 220-240V~
Protection degree: IP67



Earth contact position	Rated current (A)	Pole	Dimension(mm)							Cable nominal cross-section area (mm ²)
			a	b	c	d	e	f	g	
6h	16	3	85	85	5	85	79	71	36	1-2.5
	32		85	85	5	100	98	92	48	2.5-6



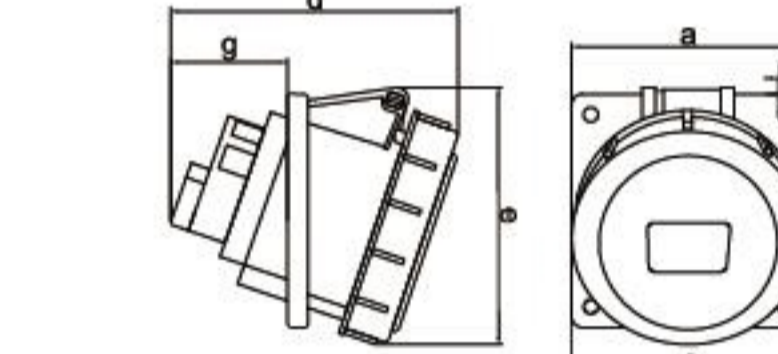
SN-4142
SN-4242
Current(A): 16A, 32A
Voltage(V): 380-415V~
Protection degree: IP67



Earth contact position	Rated current (A)	Pole	Dimension(mm)							Cable nominal cross-section area (mm ²)
			a	b	c	d	e	f	g	
6h	16	4	85	85	5	90	87	79	38	1-2.5
	32		85	85	5	100	98	92	47	2.5-6



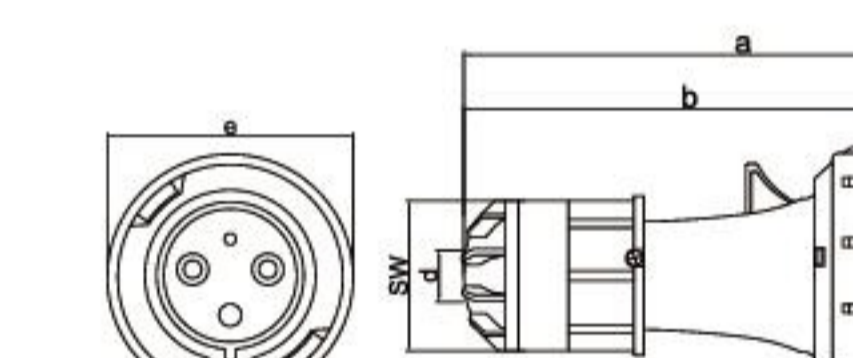
SN-4152
SN-4252
Current(A): 16A, 32A
Voltage(V): 220-380V~
240-415V~
Protection degree: IP67



Earth contact position	Rated current (A)	Pole	Dimension(mm)							Cable nominal cross-section area (mm ²)
			a	b	c	d	e	f	g	
6h	16	5	85	85	5	90	94	85	37	1-2.5
	32		85	85	5	110	107	100	43	2.5-6



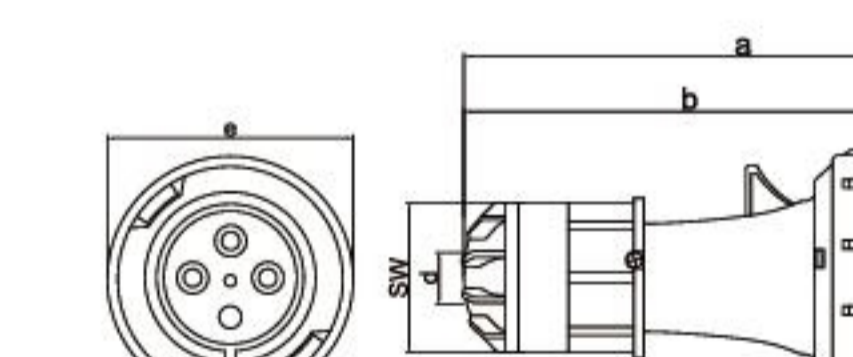
SN-0332
SN-0432
Current(A): 63A, 125A
Voltage(V): 220-250V~
Protection degree: IP67



Earth contact position	Rated current (A)	Pole	Dimension(mm)							Cable nominal cross-section area (mm ²)
			a	b	c	d	e	f	g	
6h	63	3	260	192	75	22	113	60	6-16	
	125		280	205	86	30	130	70	16-50	



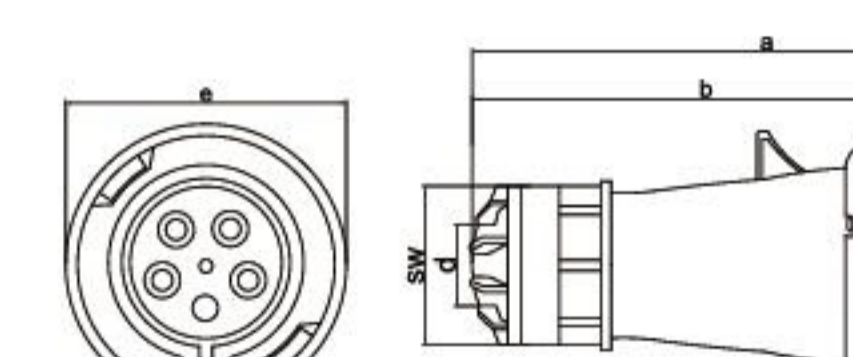
SN-0342
SN-0442
Current(A): 63A, 125A
Voltage(V): 380-415V~
Protection degree: IP67



Earth contact position	Rated current (A)	Pole	Dimension(mm)							Cable nominal cross-section area (mm ²)
			a	b	c	d	e	f	g	
6h	63	4	250	193	75	20	112	60	6-16	
	125		280	205	86	30	130	70	16-50	



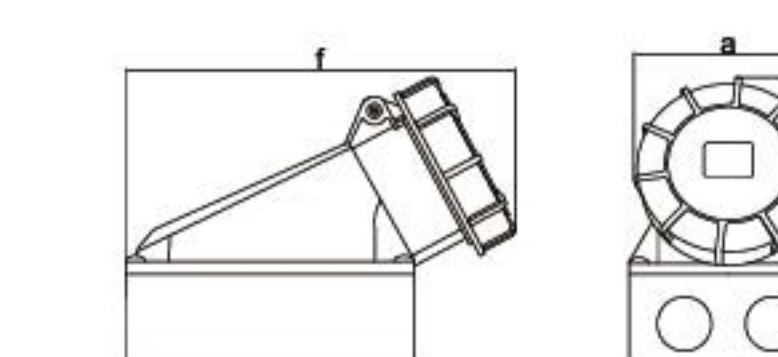
SN-0352
SN-0452
Current(A): 63A, 125A
Voltage(V): 220-380V~
240-415V~
Protection degree: IP67



Earth contact position	Rated current (A)	Pole	Dimension(mm)							Cable nominal cross-section area (mm ²)
			a	b	c	d	e	f	g	
6h	63	5	255	190	75	24	113	60	6-16	
	125		280	205	86	30	130	70	16-50	



SN-1332
SN-1432
Current(A): 63A, 125A
Voltage(V): 220-250V~
Protection degree: IP67

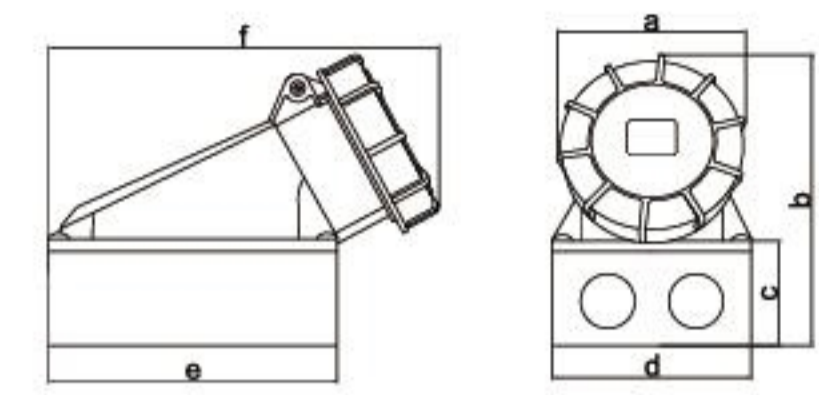


Earth contact position	Rated current (A)	Pole	Dimension(mm)							Cable nominal cross-section area (mm ²)
			a	b	c	d	e	f	g	
6h	63	3	110	180	60	117	170	240	6-16	
	125		129	185	60	160	260	325	16-50	

IP67 EPL/ESO



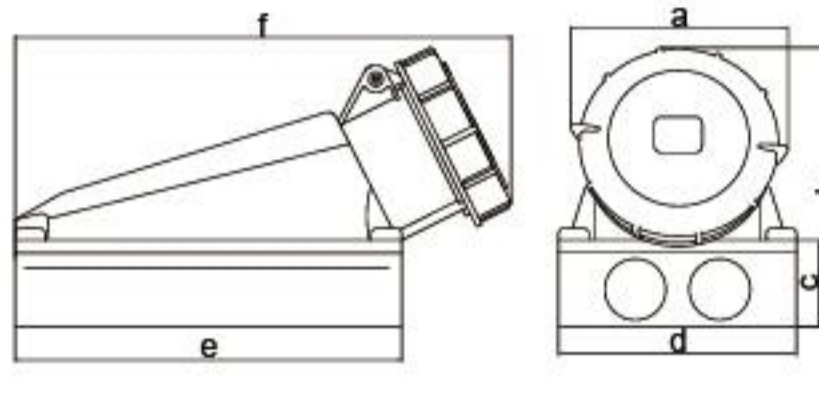
**SN-1342
SN-1442**
Current(A): 63A, 125A
Voltage(V): 220-380V~
240-415V~
Protection degree: IP67



Earth contact position	Rated current (A)	Pole	Dimension(mm)						Cable nominal cross-section area (mm ²)
			a	b	c	d	e	f	
6h	63	4	110	180	60	117	170	240	6-16
	125		129	185	60	160	260	325	16-50



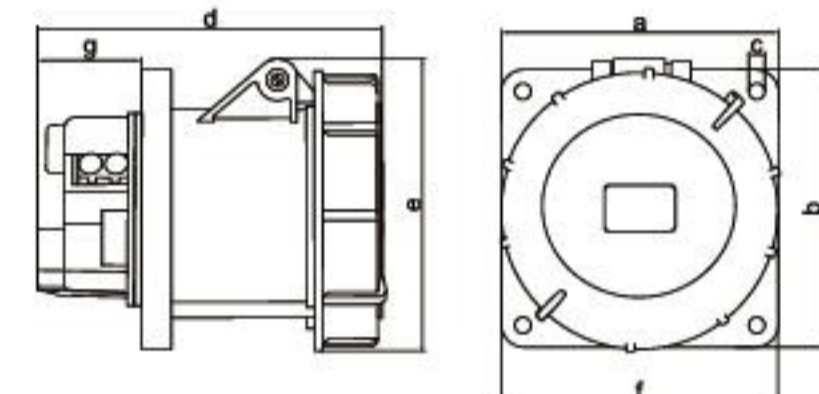
**SN-1352
SN-1452**
Current(A): 63A, 125A
Voltage(V): 220-380V~
240-415V~
Protection degree: IP67



Earth contact position	Rated current (A)	Pole	Dimension(mm)						Cable nominal cross-section area (mm ²)
			a	b	c	d	e	f	
6h	63	5	110	180	60	117	170	240	6-16
	125		129	185	60	160	260	325	16-50



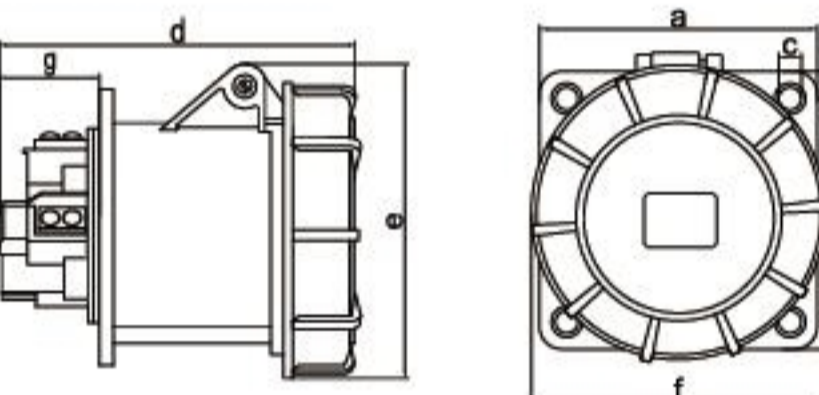
**SN-3332
SN-3432**
Current(A): 63A, 125A
Voltage(V): 220-250V~
Protection degree: IP67



Earth contact position	Rated current (A)	Pole	Dimension(mm)							Cable nominal cross-section area (mm ²)
			a	b	c	d	e	f	g	
6h	63	3	99	99	7	130	113	110	37	6-16
	125		122	122	7	155	126	122	50	16-50



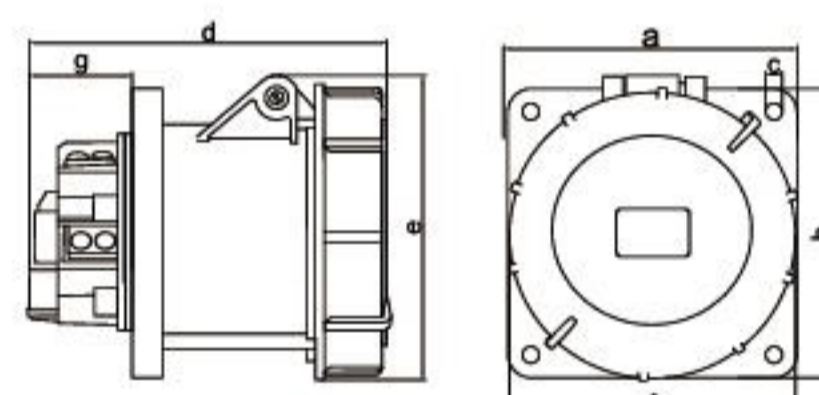
**SN-3342
SN-3442**
Current(A): 63A, 125A
Voltage(V): 380-415V~
Protection degree: IP67



Earth contact position	Rated current (A)	Pole	Dimension(mm)							Cable nominal cross-section area (mm ²)
			a	b	c	d	e	f	g	
6h	63	4	99	99	7	130	113	110	37	6-16
	125		122	122	7	155	126	122	50	16-50



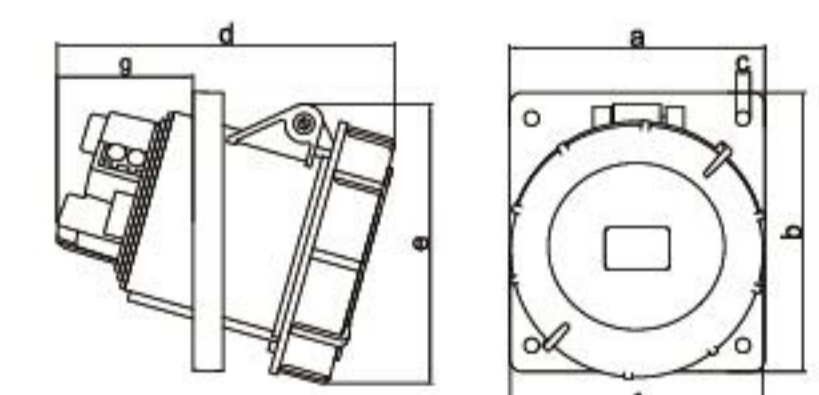
**SN-3352
SN-3452**
Current(A): 63A, 125A
Voltage(V): 220-380V~
240-415V~
Protection degree: IP67



Earth contact position	Rated current (A)	Pole	Dimension(mm)							Cable nominal cross-section area (mm ²)
			a	b	c	d	e	f	g	
6h	63	5	99	99	7	132	113	110	37	6-16
	125		122	122	7	153	126	121	50	16-50



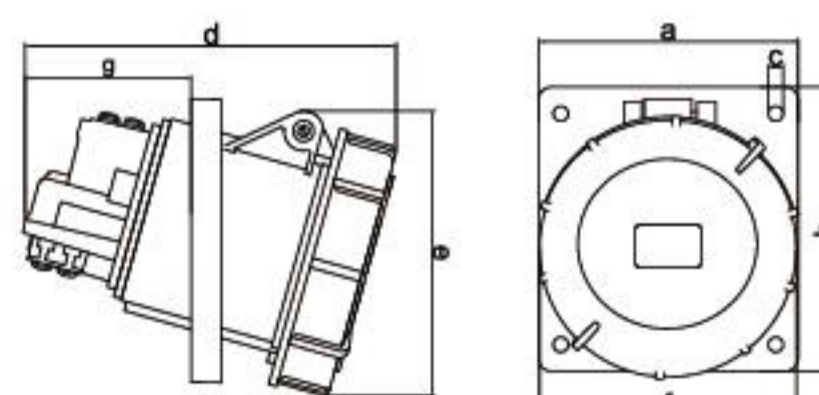
**SN-4332
SN-4432**
Current(A): 63A, 125A
Voltage(V): 220-240V~
Protection degree: IP67



Earth contact position	Rated current (A)	Pole	Dimension(mm)							Cable nominal cross-section area (mm ²)
			a	b	c	d	e	f	g	
6h	63	3	100	113	7	135	113	110	65	6-16
	125		122	132	7	155	126	121	88	16-50



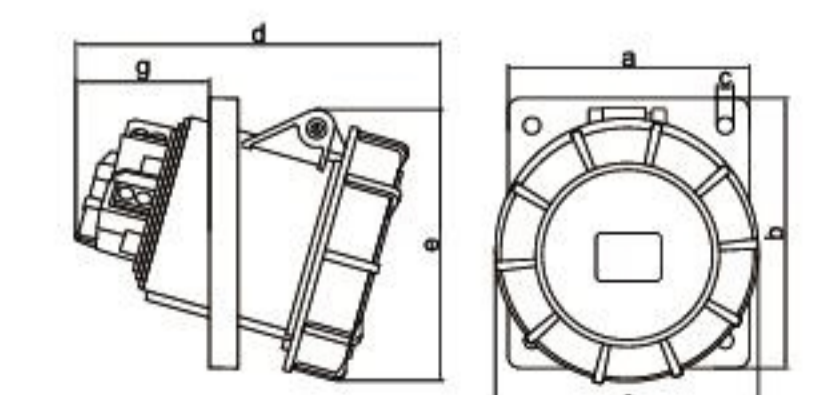
**SN-4342
SN-4442**
Current(A): 63A, 125A
Voltage(V): 380-415V~
Protection degree: IP67



Earth contact position	Rated current (A)	Pole	Dimension(mm)							Cable nominal cross-section area (mm ²)
			a	b	c	d	e	f	g	
6h	63	4	100	113	7	135	113	110	68	6-16
	125		122	132	7	160	126	121	88	16-50



**SN-4352
SN-4452**
Current(A): 63A, 125A
Voltage(V): 220-380V~
240-415V~
Protection degree: IP67



Earth contact position	Rated current (A)	Pole	Dimension(mm)							Cable nominal cross-section area (mm ²)
			a	b	c	d	e	f	g	
6h	63	5	100	113	7	135	113	110	70	6-16
	125		122	132	7	153	126	121	85	16-50



IP67 Splitter Series



SN-10131-4
Input: 1 plug
16A 110V
Output: 3 sockets
16A 110V
Protection degree: IP67



SN-10133-3
Input: 1 plug
63A 230V
Output: 3 sockets
63A 230V
Protection degree: IP67



SN-10131
Input: 1 plug
16A 230V
Output: 3 sockets
16A 230V
Protection degree: IP67

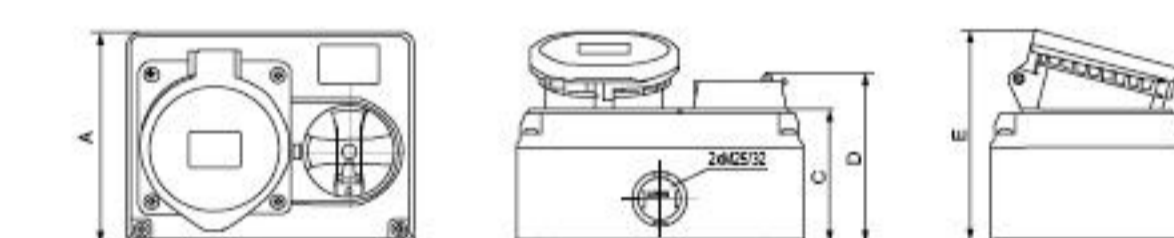


SN-10135-3
Input: 1 plug
63A 400V
Output: 3 sockets
63A 400V
Protection degree: IP67

Interlock Socket Outlet



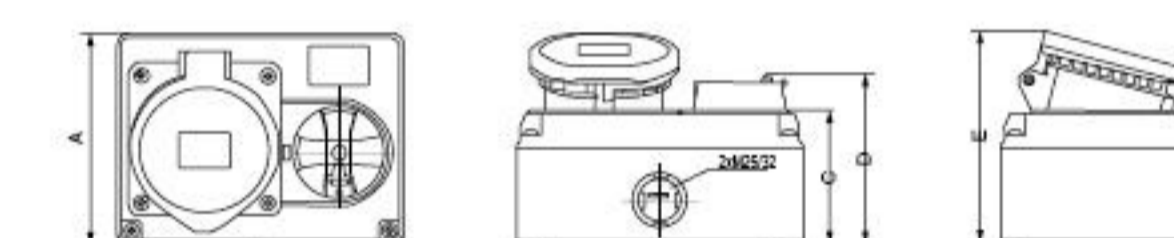
**EBX-9113
EBX-9123**
Current(A): 16A, 32A
Voltage(V): 220-240V~
Protection degree: IP44



Earth contact position	Rated current (A)	Pole	Dimension(mm)						Cable nominal cross-section area (mm ²)
			a	b	c	d	e	φ	
6h	16	3	120	190	78	80	112	4.5	1-2.5
	32		120	190	78	80	112	4.5	2.5-6



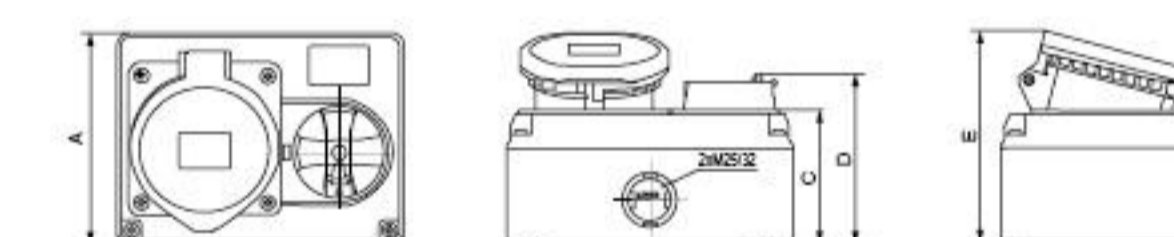
**EBX-9114
EBX-9124**
Current(A): 16A, 32A
Voltage(V): 380-415V~
Protection degree: IP44



Earth contact position	Rated current (A)	Pole	Dimension(mm)						Cable nominal cross-section area (mm ²)
			a	b	c	d	e	φ	
6h	16	4	120	190	78	80	113	4.5	1-2.5
	32		120	190	78	80	113	4.5	2.5-6



**EBX-9115
EBX-9125**
Current(A): 16A, 32A
Voltage(V): 220-380V~
240-415V~
Protection degree: IP44

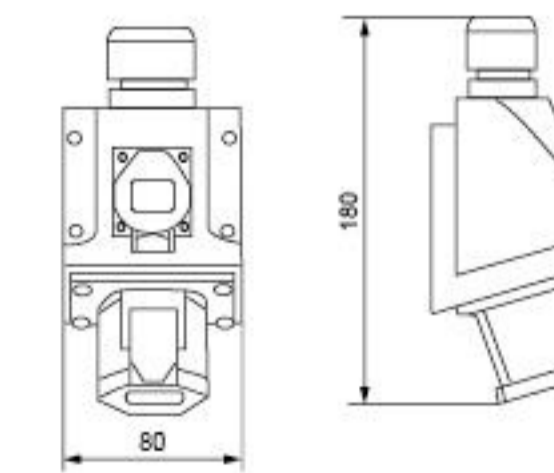


Earth contact position	Rated current (A)	Pole	Dimension(mm)						Cable nominal cross-section area (mm ²)
			a	b	c	d	e	φ	
6h	16	5	120	190	78	80	113	4.5	1-2.5
	32		120	190	78	80	113	4.5	2.5-6

Wall Socket Combined



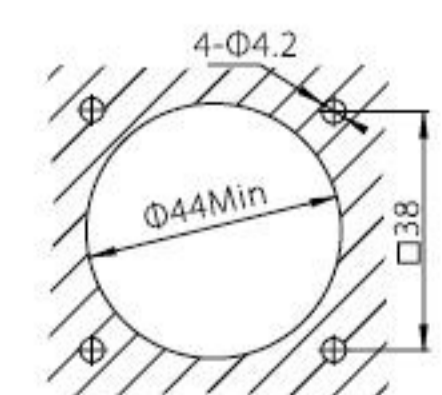
BX-K11
Current(A): 16A, 32A
Voltage(V): 380-415V~
Protection degree: IP44



Earth contact position	Rated current (A)	Pole	Dimension(mm)						Cable nominal cross-section area (mm ²)
			a	b	c	d	e	φ	
6h	16	4/5	70	47	80	48.5	175	62.7	1-2.5
	32		70	47	80	58.7	183	70.2	2.5-6



BX-K03
Current(A): 16A
Voltage(V): 220-250V~
Protection degree: IP44



Earth contact position	Rated current (A)	Pole	Dimension(mm)						Cable nominal cross-section area (mm ²)
			a	b	c	d	e	φ	
/	16	5	50	50	/	/	/	44	1-2.5

Strategic cooperation brand

EBASEE Factory is a traditional Chinese electrical manufacturer. With years of experience in production and manufacturing and always adhering to the customer-centric development concept, we have cooperated with many world-class companies for many years, such as WEG/SIEMENS/Foxconn/Honeywell and other famous electrical brands. We leave the footprint of the cooperation of EBASEE Electric in the world.

