



Specifications and technical data are subject to change without notice.
Please contact to confirm relevant information on ordering.

📍 No.18, Gutang Rd, Shanghai 201209, China
 ☎️ +86 21 5032 0898
 📠 +86 21 5032 0828
 ✉️ info@ebasee.com
 🌐 www.ebasee.com



Copy right reserved EBS.NO.2021001

Ebasee
Smart Living Green Ebasee



CONTROL ELECTRIC



COMPANY PROFILE

As a leading supplier in the low voltage electrics industry, Shanghai Ebasee Electric Co., Ltd. products have been used for residential, commercial and industrial applications with its quality and service. EBASEE brand is recognized for its quality and reliability in an ever-increasing number of markets worldwide. So far EBASEE products have been approved by international labs including BV, TUV, Intertek, with KEMA, CB, SEMKO, RoHS, CE, and CCC etc.

With qualified raw materials and components supply, all products are manufactured by EBASEE's defined international specifications. We have 4 semi-auto production lines, up-to-date quality control facilities, well-trained and experienced workers. Moreover, with a technical R & D team and fully equipped in-house laboratory, EBASEE factory can carry out efficient new products development, daily production and QC.

EBASEE have a wide range of cooperations with world leading companies in new products development, OEM and ODM cooperation. Meanwhile, we process the idea of green and smart energy, working with universities such as Xi'an Jiao Tong University to get more intelligent and environmental electric solutions.

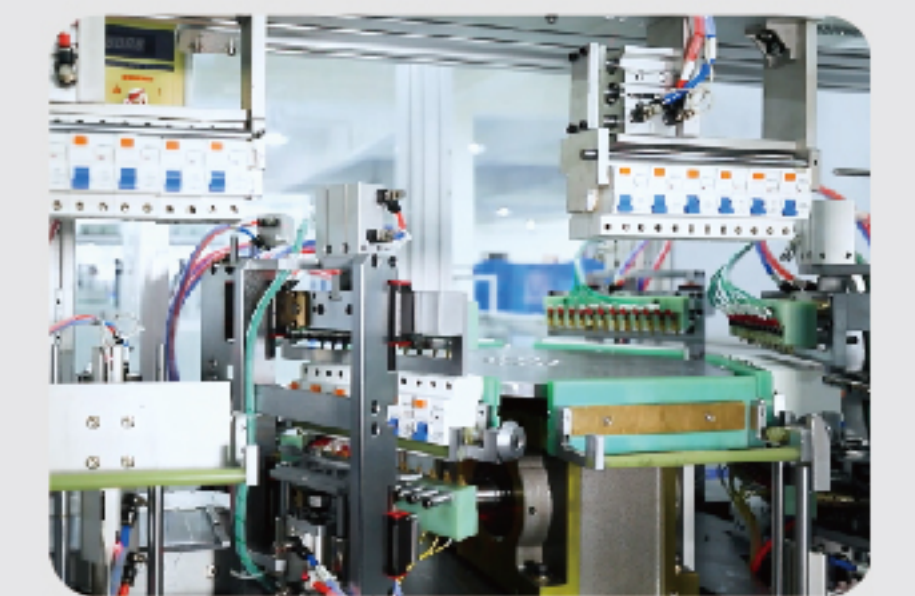
EBASEE focused on achieving growth through the success of worldwide partners. Guided by the philosophy of "market-oriented", powered by the idea of "Quick response and flexible supply", EBASEE support our worldwide partners to compete against established global players, to deliver the most systematic and cost-effective products and service in the market.

"Smart life, Green EBASEE"



Quality is our culture!

PRODUCTION LINE

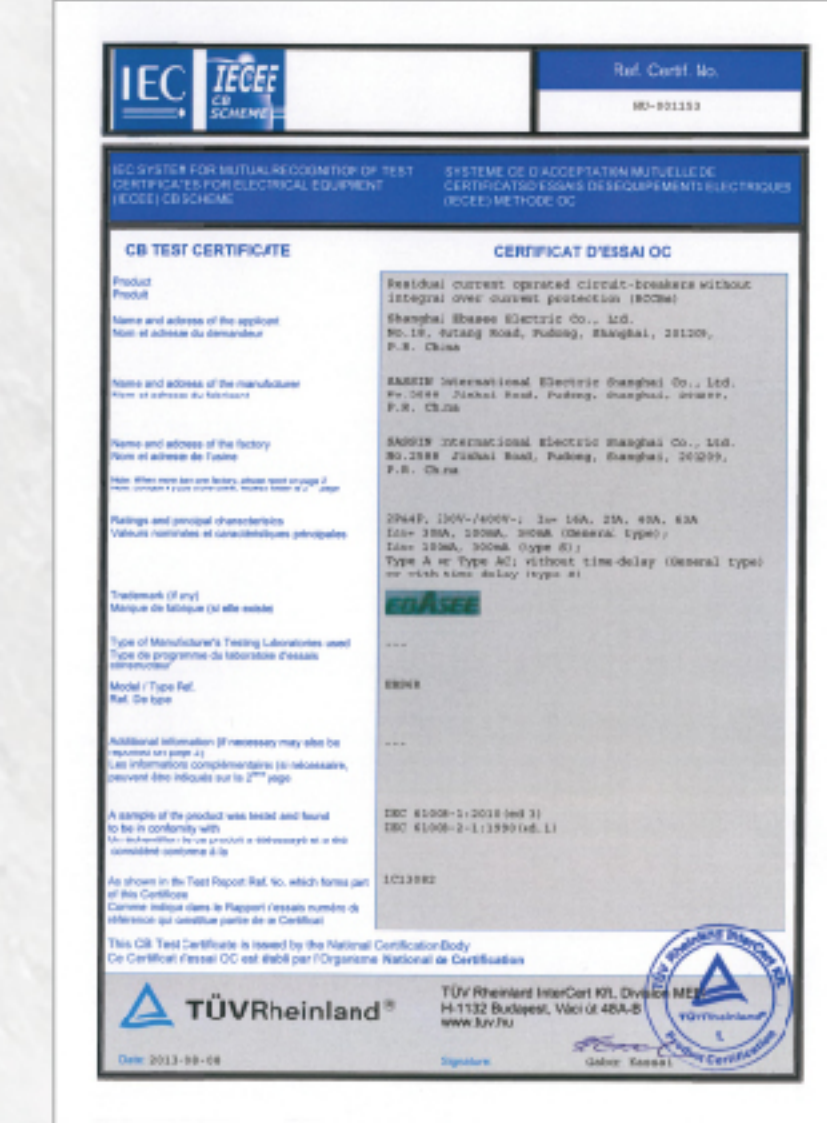
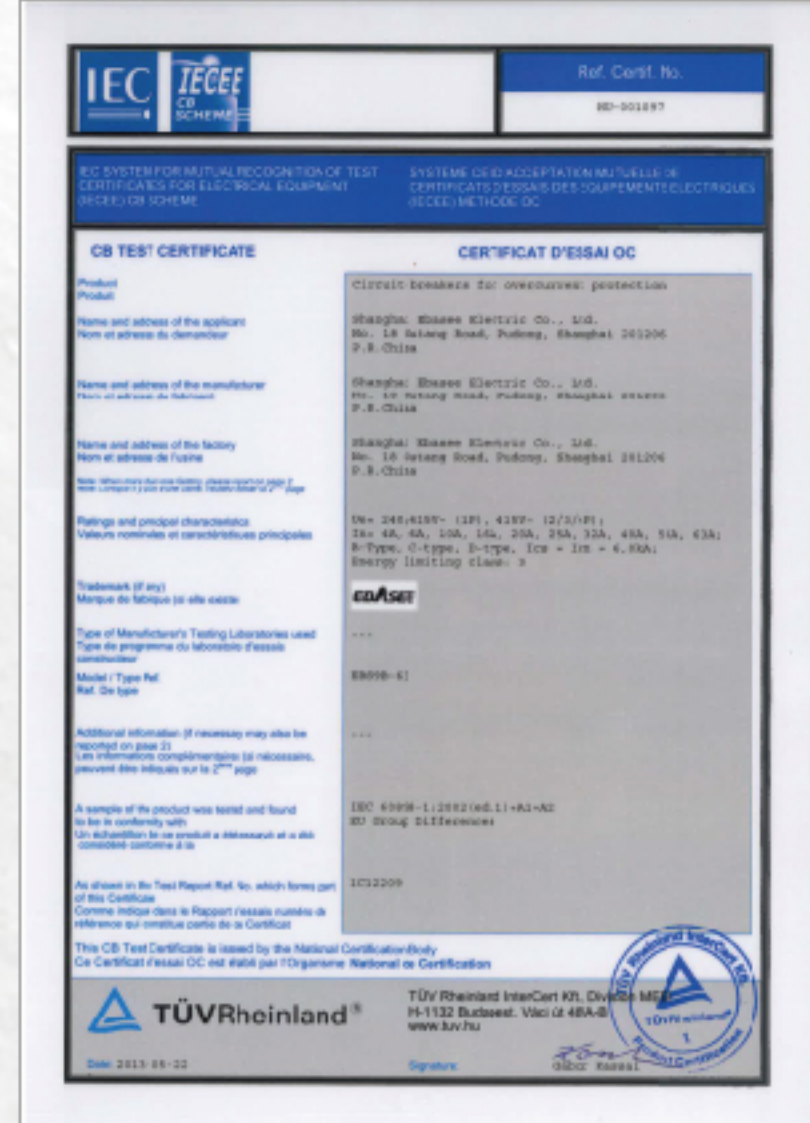


SMART LIVING GREEN EBASEE



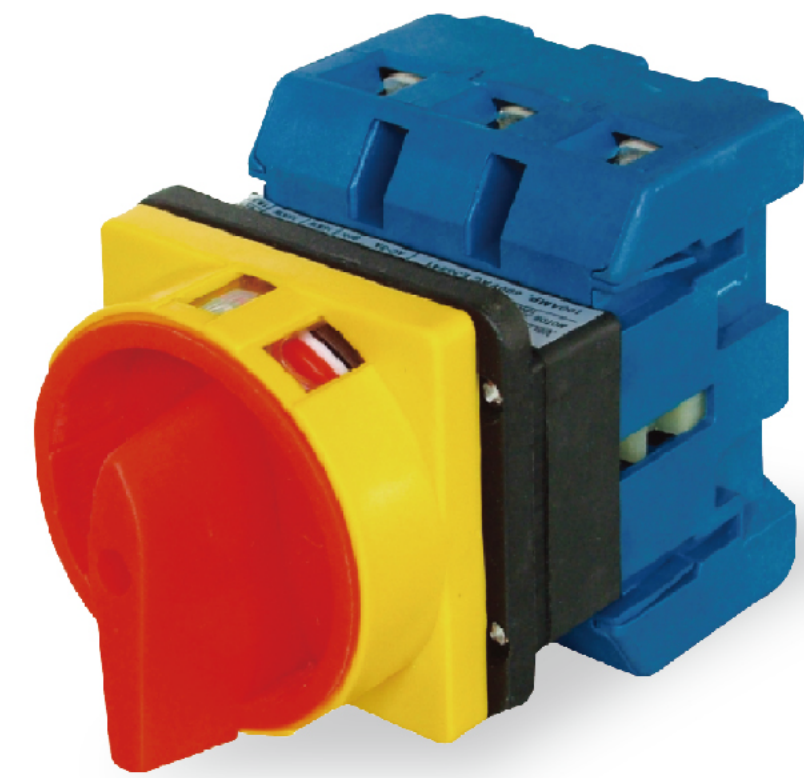
INTERNATIONAL QUALITY CERTIFICATE

EBASEE products have been approved by international labs including BV, TUV, Intertek, with KEMA, CB, SEMKO, RoHS, CE, and CCC etc.

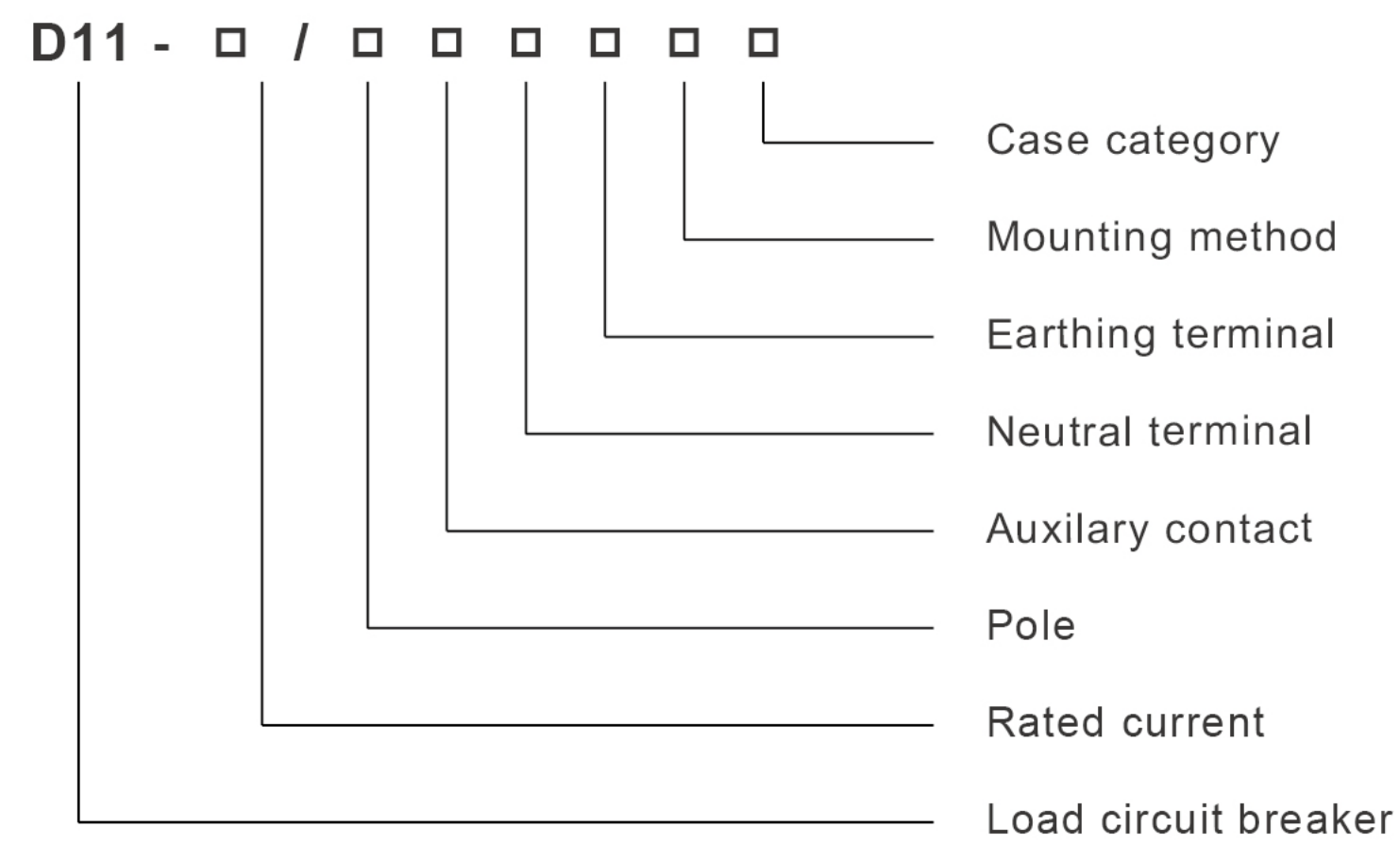


1.Application

D11 main switches conform to IEC60974-3. They meet the requirements of disconnectors, main switch and maintenance switch which is suitable for ventilation, air-conditioning, water pump system, industrial unitized device, safety isolation and other distribution switches.



2.Nomenclature



Working Condition

Recommended Ambient temperature -5℃ to 40℃

Installation altitude: ≤2000m

Relative atmosphere humidity do not exceed 50% when the highest temperature is +40℃. At lower temperature, higher humidity can be allowed. For example, humidity can reach 90% when temperature is 20℃. Special measures should be taken when the congealed dew appears on the surface caused by the change of temperature.

3.Characteristic

□ Reliability

The breaking contact of switch has long insulation, reaching 13-14mm that far more than safety requirement of VDE0113. In most cases, our switch's safety rating surpass most existing switches.

□ Flexible Mounting

The switches are both suitable for panel mounting and base mounting. Base mounting can be installed conveniently and safely with screw and 35mm Din Rail. This switch system owns the largest flexibility and adaptability. We need not remove switch when adding attached contactor and neutral terminal.

□ Convenient Mounting

Built-in screw can avoid the trackslip in doing manual operation, enabling air operated and power-driven tool to give full play to their performance, ensuring the safety and speed of mounting.

Parameter

Controlled current or power	Using category	IEC/BS/VDE Rated nominal value					
		Thermal current(I _{th})	Resistance load(AC21)	AC23 Occasionally chngover motor or high inductance load		AC3 Direct online start motor	
				3x220~240V	3x380~440V	3x220~240V	3x380~440V
Type							
D11-25		25A	25A	4kW	7.5kW	3kW	5.5kW
D11-32		32A	32A	5.5kW	11kW	4kW	7.5kW
D11-40		40A	40A	7.5kW	15kW	73.5kW	11kW
D11-63		63A	63A	11kW	22kW	11kW	12.5kW
D11-80		80A	80A	18.5kW	30kW	15kW	22kW
D11-100		100A	100A	22kW	73kW	18.5kW	30kW

Attention:

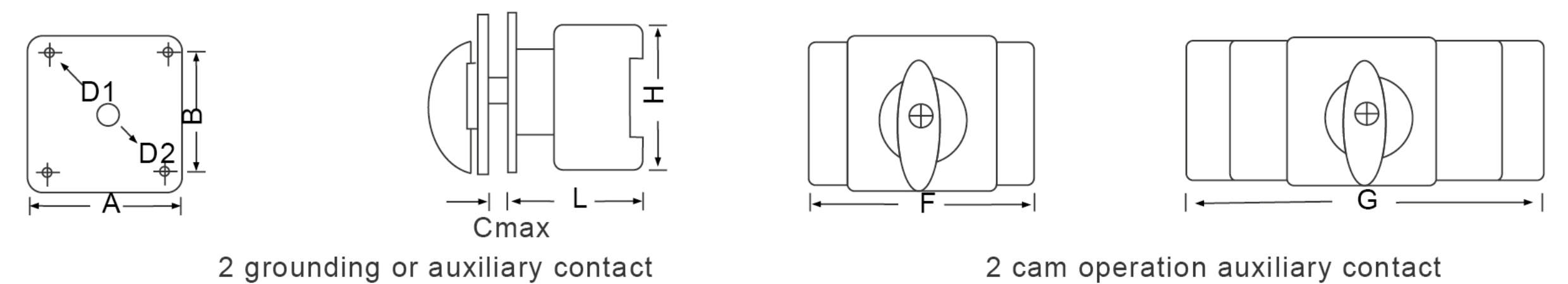
>With adjustable rotation shaft, max length-200mm

>Above types all belong to grounding type

>P-pole, N- neutral, E-grounding termianl

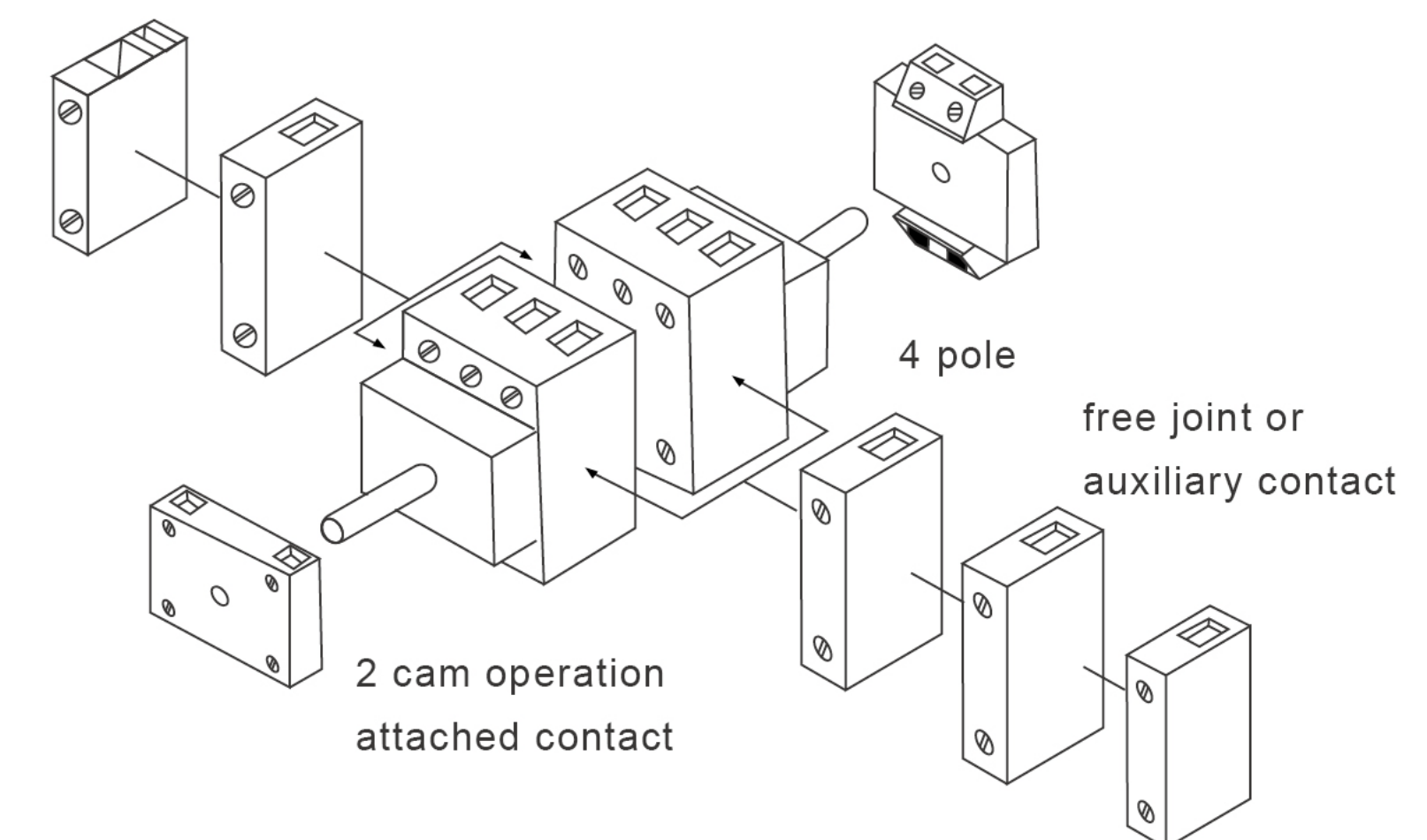
>All above type can chose accessories; side-mounting auxiliary contact, top-mounting auxiliary contact, protective cover, pad-lock handle, door inter-lock and etc.

4.Dimensions



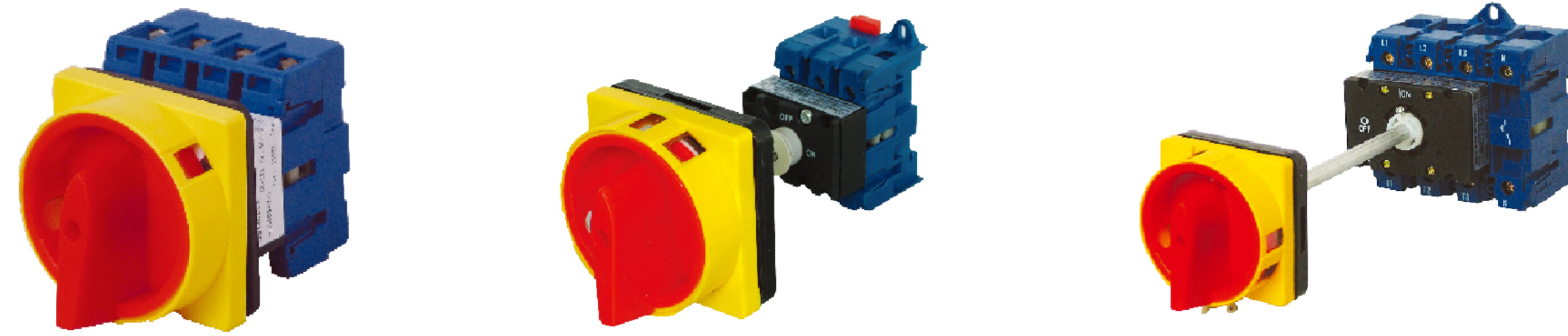
2 grounding or auxiliary contact

2 cam operation auxiliary contact

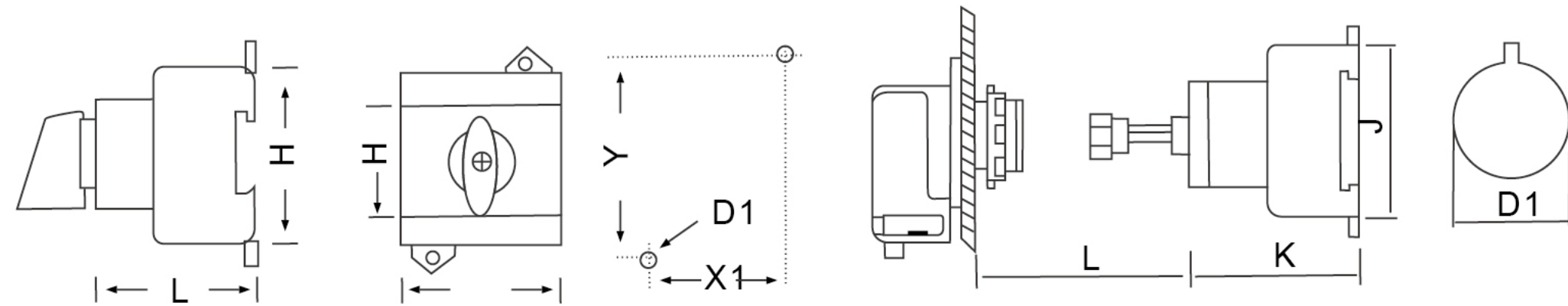


5.Parameter

Switch	Type	Pole	B	D1	F	H	L	X1	Y
D11-25/D11-32	On-Off	3poles	44	4	46	54	52	22	60
D11-40/D11-63	On-Off	3poles	45	4	53	64	59	25	70
D11-80/D11-100	On-Off	3poles	45	5.5	70	80	65	25	90



Base mounting dimension



Switch	Type	Pole	A	B	Cam	D ¹	D ²	F	G	H	Lmin	Lmax	X ¹	X ²	Y
D11-25 D11-32	On-Off	3pole	64	48	4	4	22	42	-	54	106	176	22	-	60
	On-Off	4pole	64	48	4	4	22	56	-	54	106	176	22	-	60
	On-Off	3pole+N	64	48	4	4	22	56	-	54	106	176	22	-	60
	On-Off	3pole+N+E	64	48	4	4	22	69	-	54	106	176	22	-	60
	On-Off	6pole	64	48	4	4	22	-	84	54	103	183	32	22	60
D11-40 D11-63	On-Off	3pole	64	48	4	4	22	50	-	64	123	193	25	-	70
	On-Off	4pole	64	48	4	4	22	66	-	64	123	193	25	-	70
	On-Off	3pole+N	64	48	4	4	22	66	-	64	123	193	25	-	70
	On-Off	3pole+N+E	64	48	4	4	22	82	-	64	123	193	25	-	70
	On-Off	6pole	64	48	4	4	22	-	100	64	126	196	50	25	70
D11-80 D11-100	On-Off	3pole	64	48	4	5.5	22	70	-	80	126	198	25	-	90
	On-Off	4pole	64	48	4	5.5	22	92	-	80	126	198	25	-	90
	On-Off	3pole+N+E	64	48	4	5.5	22	104	-	80	126	198	25	-	90
	On-Off	6pole	88	68	4	5.5	22	-	140	80	137	209	70	25	90

Padlock

Specification	Dimension(mm)			
	D1	K	Lmin	Lmax
D11-20	30.5	50	21	100
D11-32	30.5	50	21	100
D11-40	30.5	61	22	100
D11-63	30.5	61	22	100
D11-80	30.5	68	23	100
D11-100	30.5	68	23	100

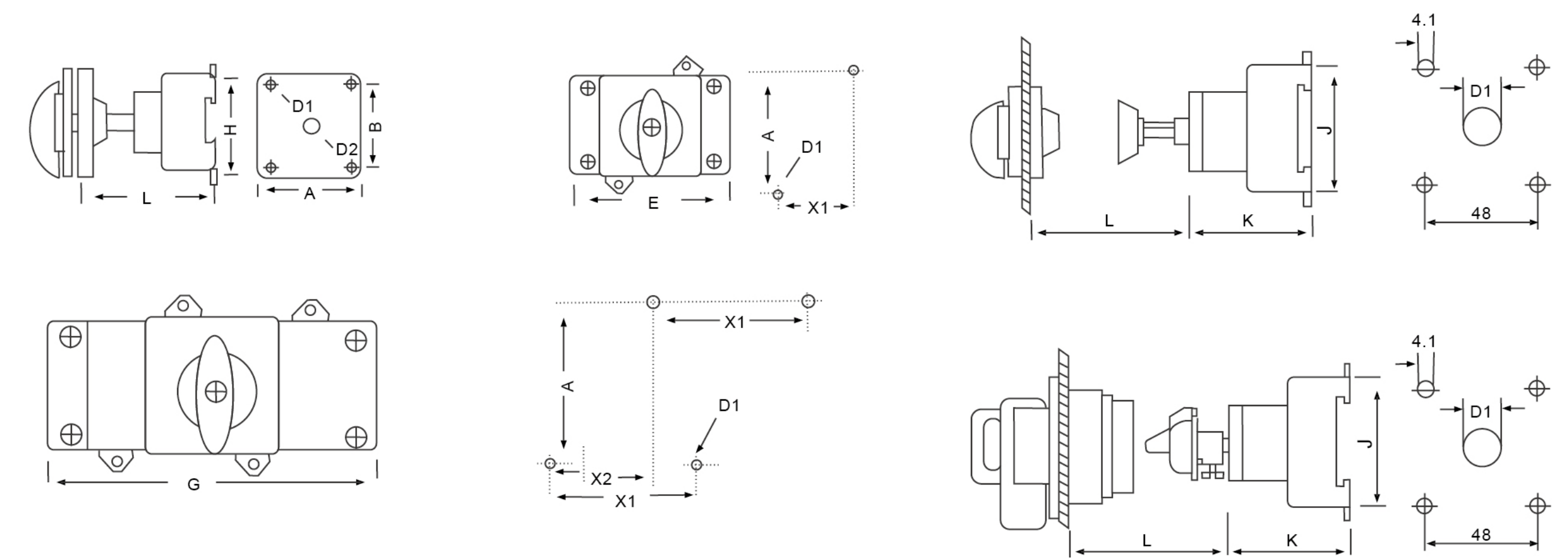
Panel

Specification	Dimension(mm)			
	D1	K	Lmin	Lmax
D11-20	30.5	50	32	118
D11-32	30.5	50	32	118
D11-40	30.5	61	32	118
D11-63	30.5	61	32	118
D11-80	30.5	68	32	118
D11-100	30.5	68	32	118

Padlock

Specification	Dimension(mm)			
	D1	K	Lmin	Lmax
D11-40	39	61	61.6	118
D11-63	39	61	61.6	118
D11-80	39	68	61.5	118
D11-100	39	68	61.5	118

6.Base Mounting Dimension



7.Order Note

Following items should be marked when ordering	Ordering sample
Product name and model	To order D11 Main switches, quantity is 1000 pieces, should be marked: Main switches D11 1000pcs.
Rated current	
Setting current range	
Quantity	