



Specifications and technical data are subject to change without notice.
Please contact to confirm relevant information on ordering.

Ebasee
Smart Living Green Ebasee



CONTROL ELECTRIC



Copy right reserved EBS. NO.2021001

📍 No.18, Gutang Rd, Shanghai 201209, China
☎ +86 21 5032 0898
📠 +86 21 5032 0828
✉ info@ebasee.com
🌐 www.ebasee.com



COMPANY PROFILE

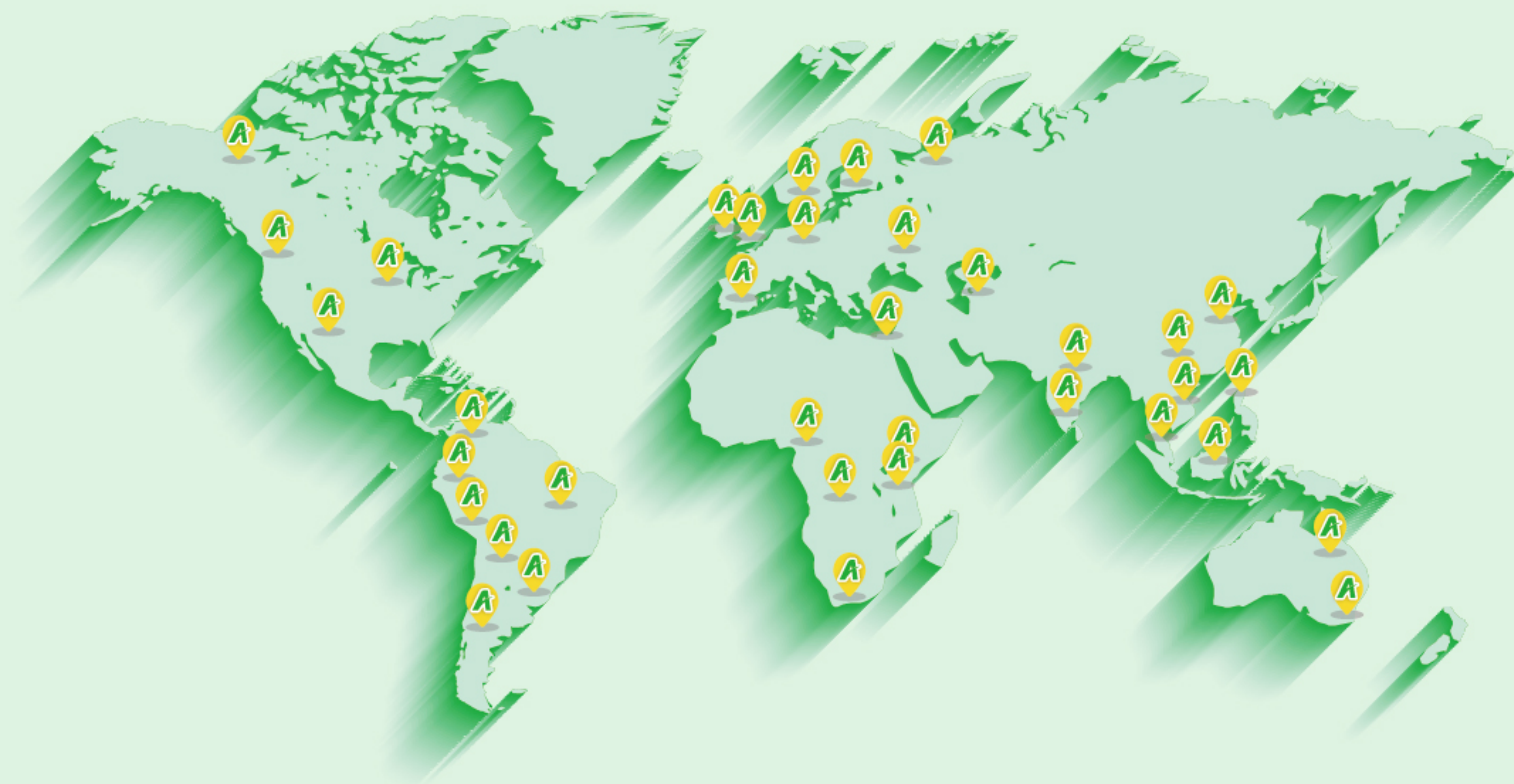
As a leading supplier in the low voltage electrics industry, Shanghai Ebasee Electric Co., Ltd. products have been used for residential, commercial and industrial applications with its quality and service. EBASEE brand is recognized for its quality and reliability in an ever-increasing number of markets worldwide. So far EBASEE products have been approved by international labs including BV, TUV, Intertek, with KEMA, CB, SEMKO, RoHS, CE, and CCC etc.

With qualified raw materials and components supply, all products are manufactured by EBASEE's defined international specifications. We have 4 semi-auto production lines, up-to-date quality control facilities, well-trained and experienced workers. Moreover, with a technical R & D team and fully equipped in-house laboratory, EBASEE factory can carry out efficient new products development, daily production and QC.

EBASEE have a wide range of cooperations with world leading companies in new products development, OEM and ODM cooperation. Meanwhile, we process the idea of green and smart energy, working with universities such as Xi'an Jiao Tong University to get more intelligent and environmental electric solutions.

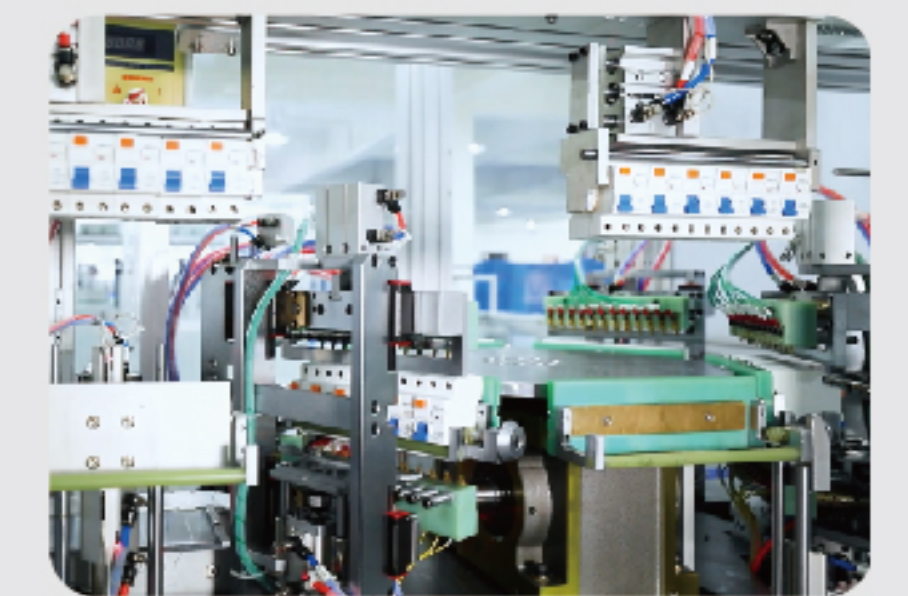
EBASEE focused on achieving growth through the success of worldwide partners. Guided by the philosophy of "market-oriented", powered by the idea of "Quick response and flexible supply", EBASEE support our worldwide partners to compete against established global players, to deliver the most systematic and cost-effective products and service in the market.

"Smart life, Green EBASEE"



Quality is our culture!

PRODUCTION LINE

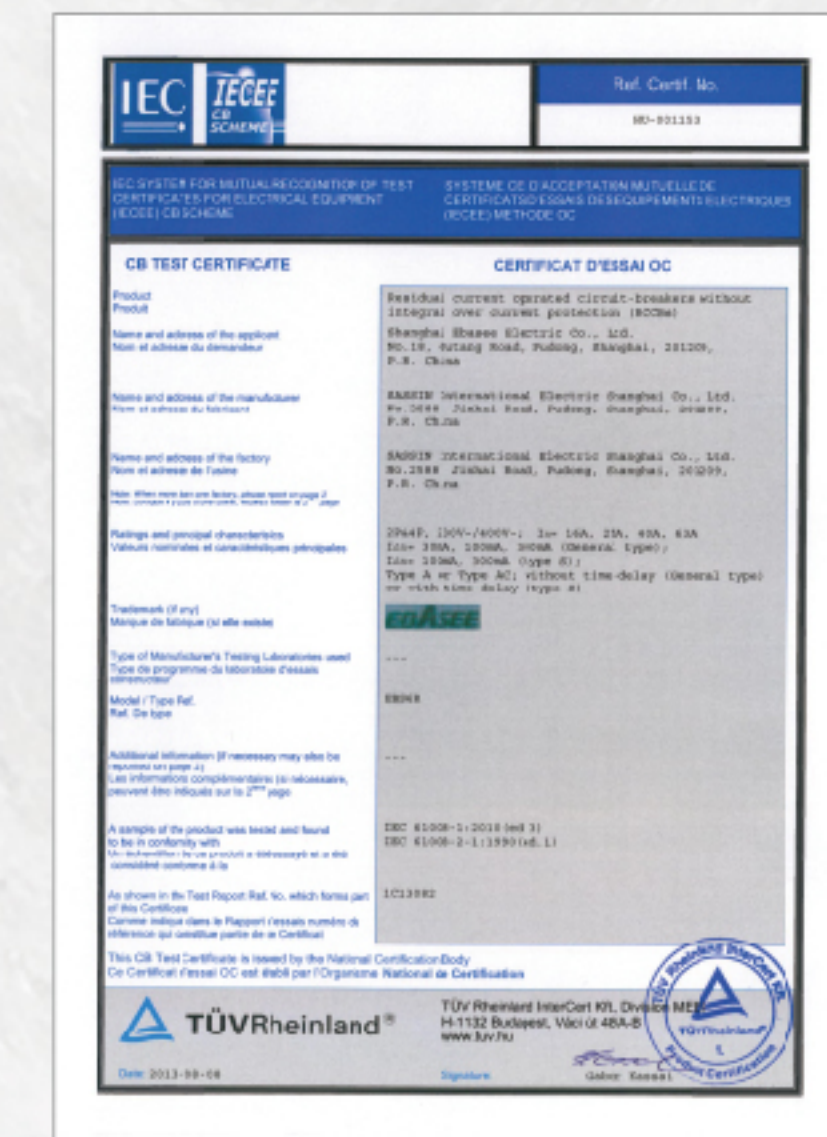
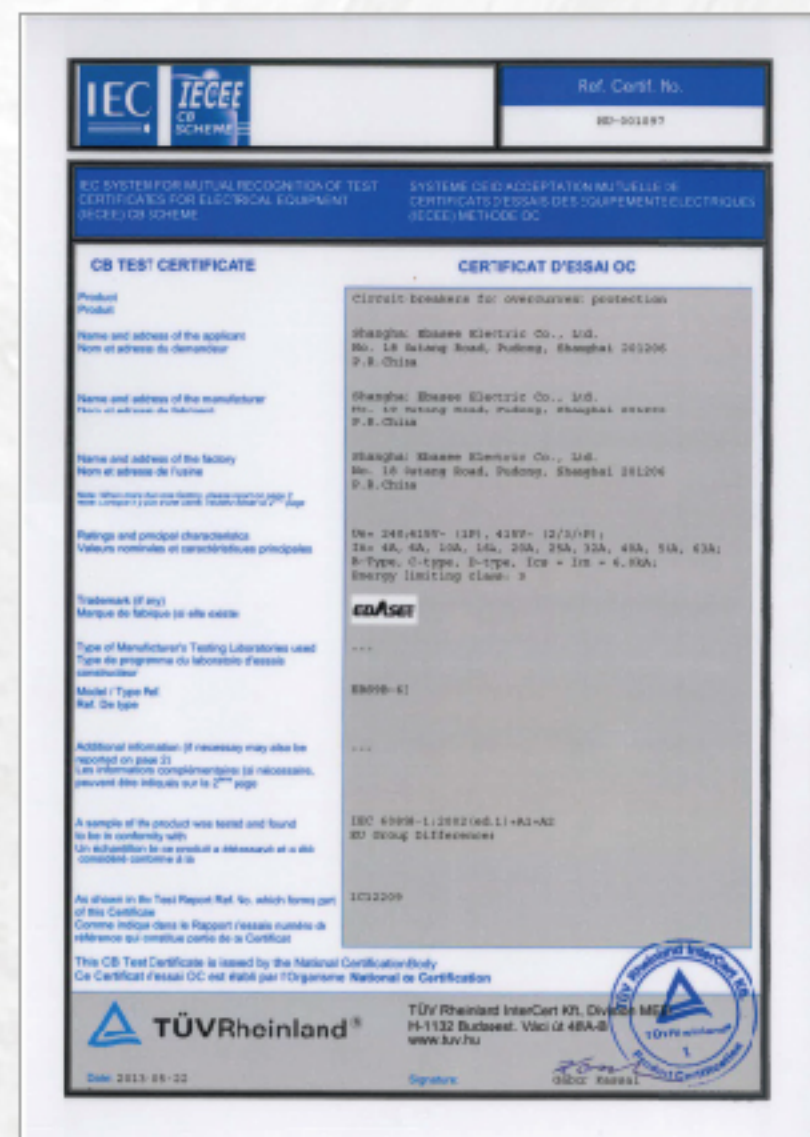


SMART LIVING GREEN EBASEE



INTERNATIONAL QUALITY CERTIFICATE

EBASEE products have been approved by international labs including BV, TUV, Intertek, with KEMA, CB, SEMKO, RoHS, CE, and CCC etc.



1.Application

CA10GS series maintenance switches, mainly used to cut off power and secured by a padlock. The padlock can lock the switch in the position of "OFF" ("0" or "OFF") or in the position of "ON" ("1" or "ON") to prevent error operation and the operation of unauthorized personnel. The products comply with GB14048.3 and IEC60947-3.



2.Classification

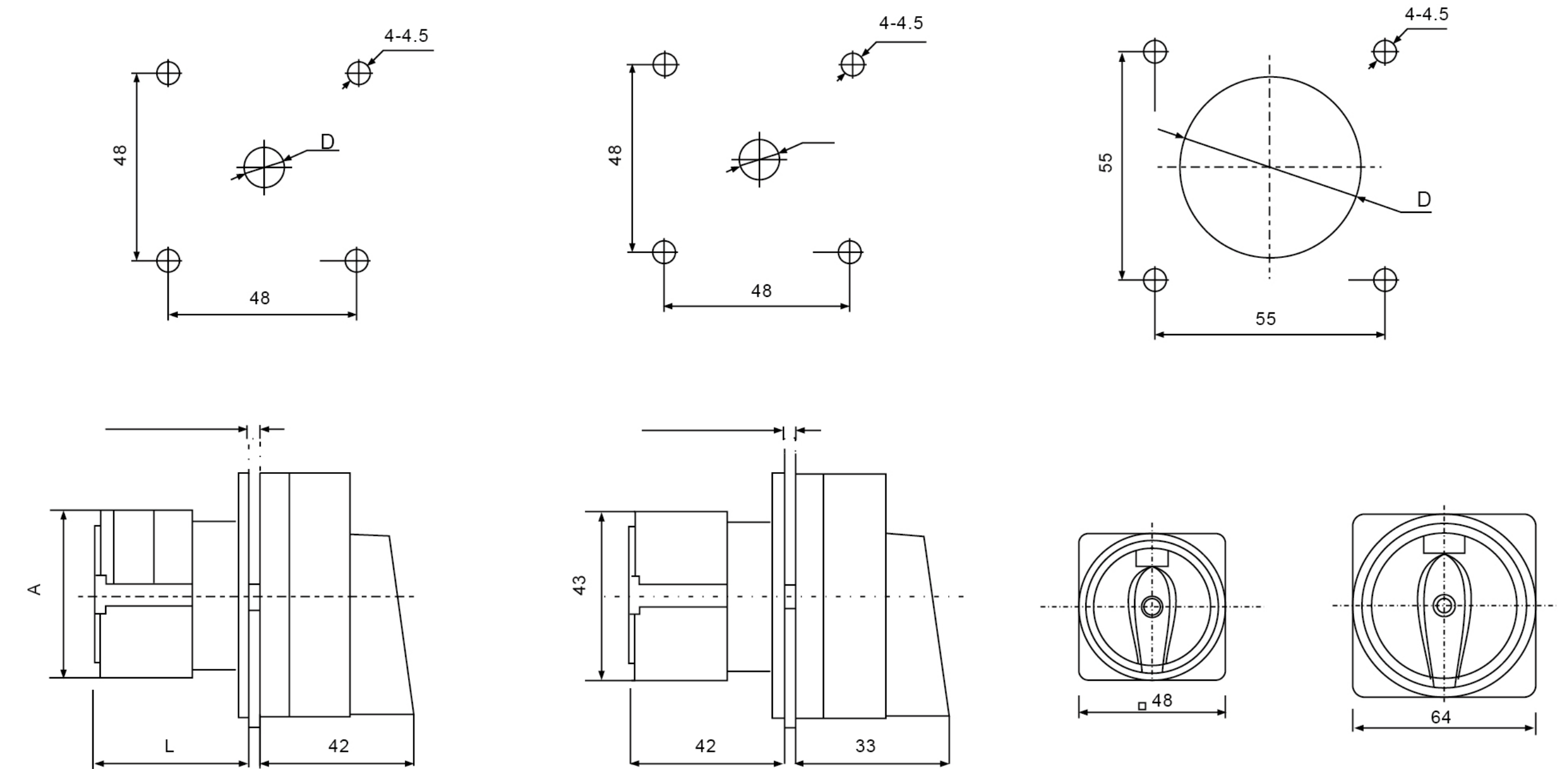
Four current ratings 20A, 25A, 32 A , 63 A Padlock type switch(20A) has large and small panel, the rest are all large panel. Large panel can be locked with 3 padlocks and small panel can be locked with 2 padlocks in the same time.

Ordinary type and Emergency stop type ordinary type(CA10GS-□03): with black panel and blackhandle
Emergency stop type(CA10GS-□04): with the emergency stop mark –yellow panel and red handle.

3.Specifications

| Type | | CA10GS-20 | CA10GS-25 | CA10GS-32 | LW28GS-63 | CA10GS-125 | CA10GS-160 |
|-----------------------------------|-------|-----------|-----------|-----------|-----------|------------|------------|
| Rated insulation voltage(Ui) | V | 690 | 690 | 690 | 690 | | |
| Rated operational voltage(Ue) | V | 440 | 440 | 440 | 440 | | |
| Conventional thermal current(Ith) | A | 20 | 25 | 32 | 63 | | |
| | AC-21 | 20 | 25 | 32 | 63 | | |
| | AC-22 | 20 | 25 | 32 | 63 | | |
| Rated operational current(Ie) | AC-23 | 15 | 22 | 30 | 57 | | |
| | A | 43 | 45.2 | 58 | 66 | 84 | 88 |
| Dimension(mm) | L | 43 | 51 | 55 | 72.5 | 90 | 101 |
| | D | Φ 8.5 | Φ 8.5 | Φ 10 | Φ 10 | Φ 13 | Φ 13 |

4.Mounting Dimensions



5.Order Note

| Following items should be marked when ordering | Ordering sample |
|--|--|
| Product name and model | To order CA10GS Universal changover switch, quantity is 1000 pieces, should be marked: |
| Rated current | Universal changover switch CA10GS 1000pcs. |
| Setting current range | |
| Quantity | |