



Specifications and technical data are subject to change without notice.  
Please contact to confirm relevant information on ordering.

📍 No.18, Gutang Rd, Shanghai 201209, China  
 ☎️ +86 21 5032 0898  
 📠 +86 21 5032 0828  
 ✉️ info@ebasee.com  
 🌐 www.ebasee.com



Copy right reserved EBS.NO.2021001

**Ebasee**  
Smart Living Green Ebasee



**CONTROL ELECTRIC**



# COMPANY PROFILE

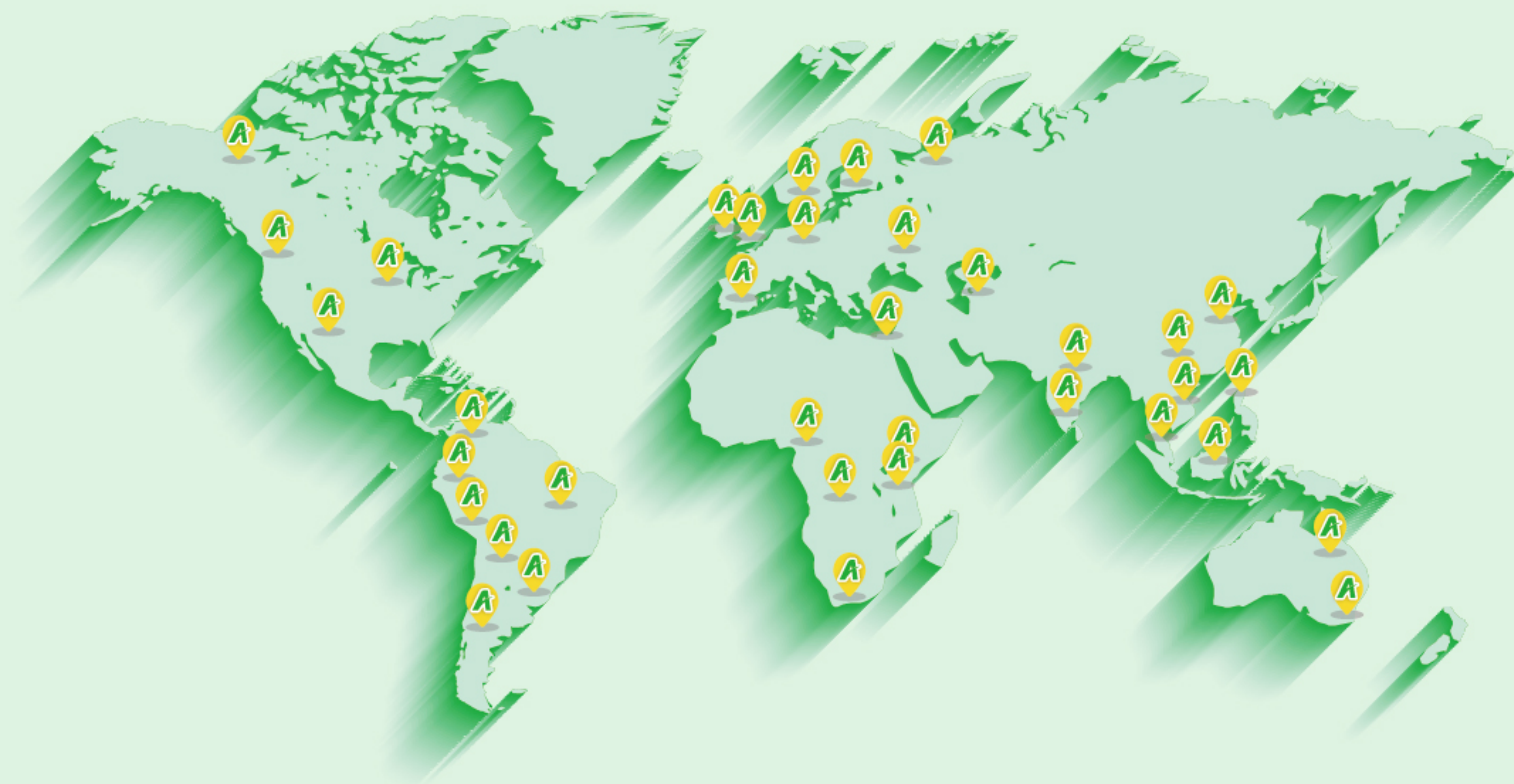
As a leading supplier in the low voltage electrics industry, Shanghai Ebasee Electric Co., Ltd. products have been used for residential, commercial and industrial applications with its quality and service. EBASEE brand is recognized for its quality and reliability in an ever-increasing number of markets worldwide. So far EBASEE products have been approved by international labs including BV, TUV, Intertek, with KEMA, CB, SEMKO, RoHS, CE, and CCC etc.

With qualified raw materials and components supply, all products are manufactured by EBASEE's defined international specifications. We have 4 semi-auto production lines, up-to-date quality control facilities, well-trained and experienced workers. Moreover, with a technical R & D team and fully equipped in-house laboratory, EBASEE factory can carry out efficient new products development, daily production and QC.

EBASEE have a wide range of cooperations with world leading companies in new products development, OEM and ODM cooperation. Meanwhile, we process the idea of green and smart energy, working with universities such as Xi'an Jiao Tong University to get more intelligent and environmental electric solutions.

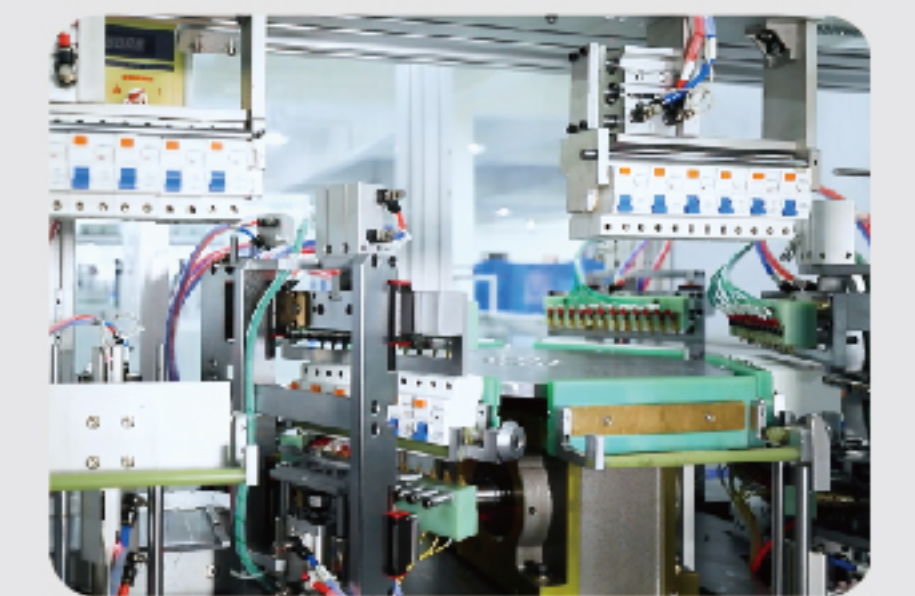
EBASEE focused on achieving growth through the success of worldwide partners. Guided by the philosophy of "market-oriented", powered by the idea of "Quick response and flexible supply", EBASEE support our worldwide partners to compete against established global players, to deliver the most systematic and cost-effective products and service in the market.

"Smart life, Green EBASEE"



Quality is our culture!

## PRODUCTION LINE

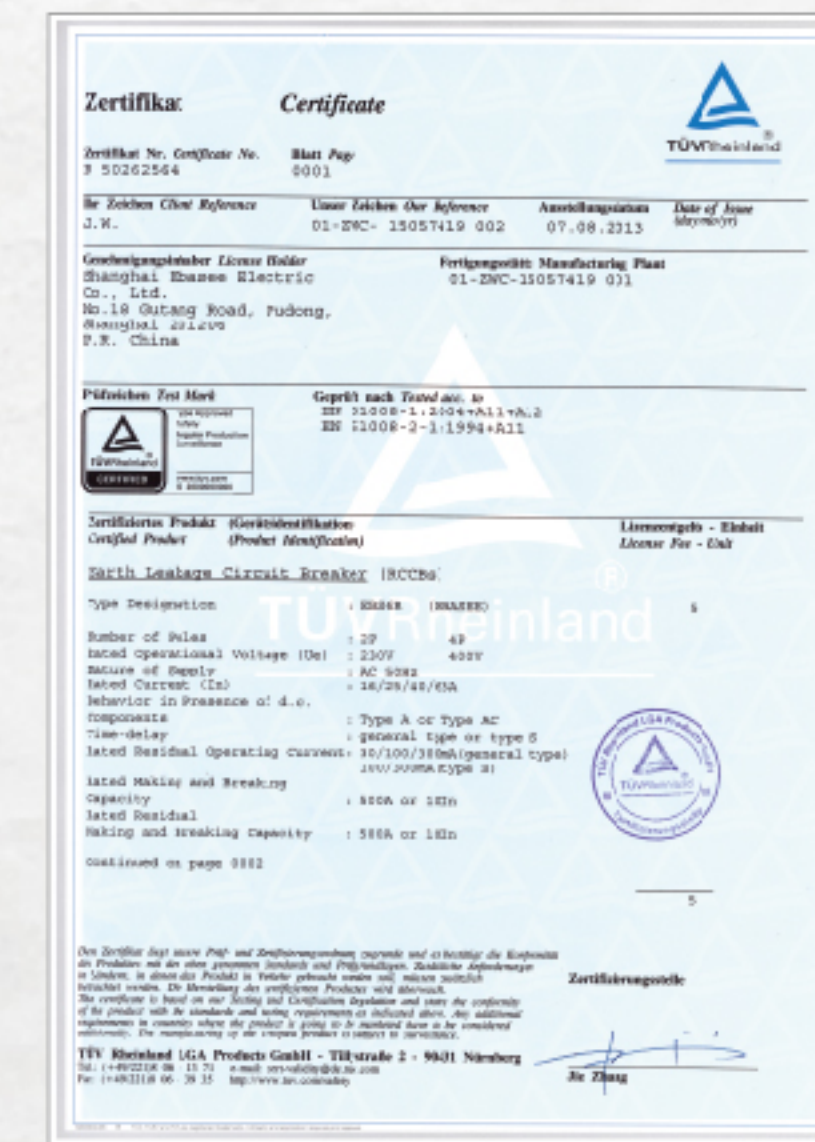
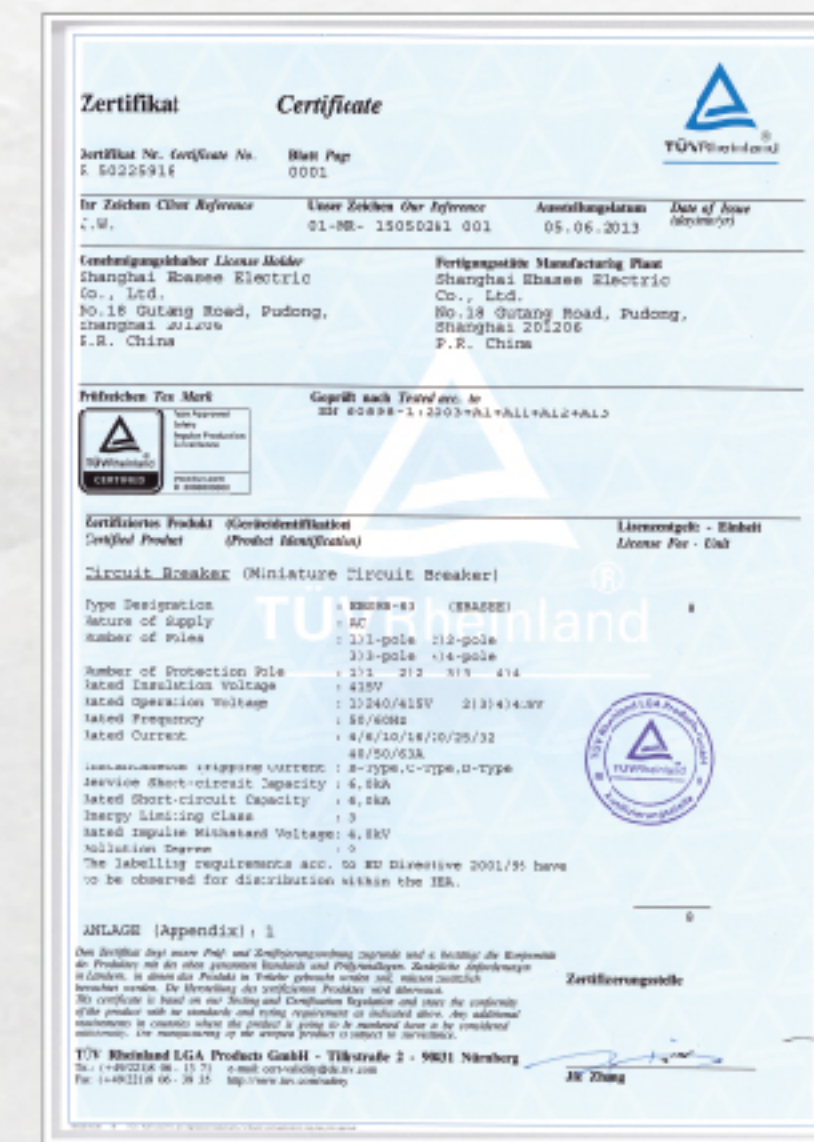
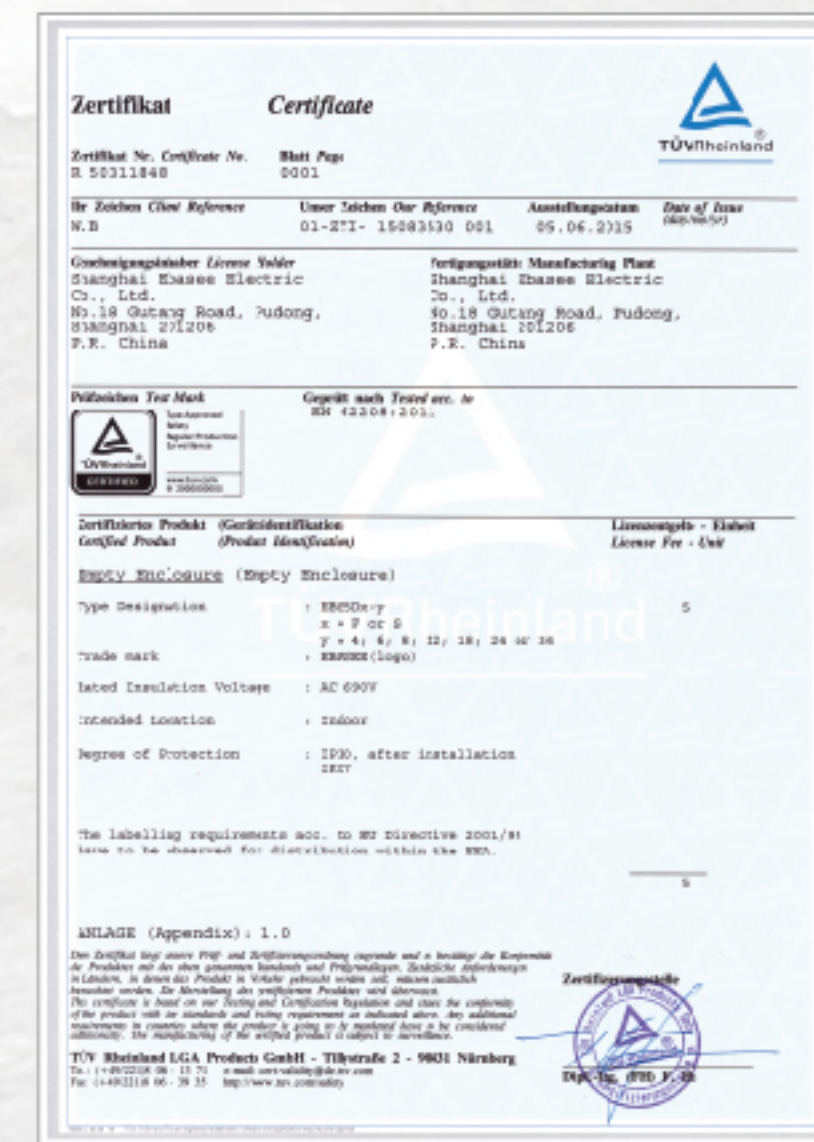
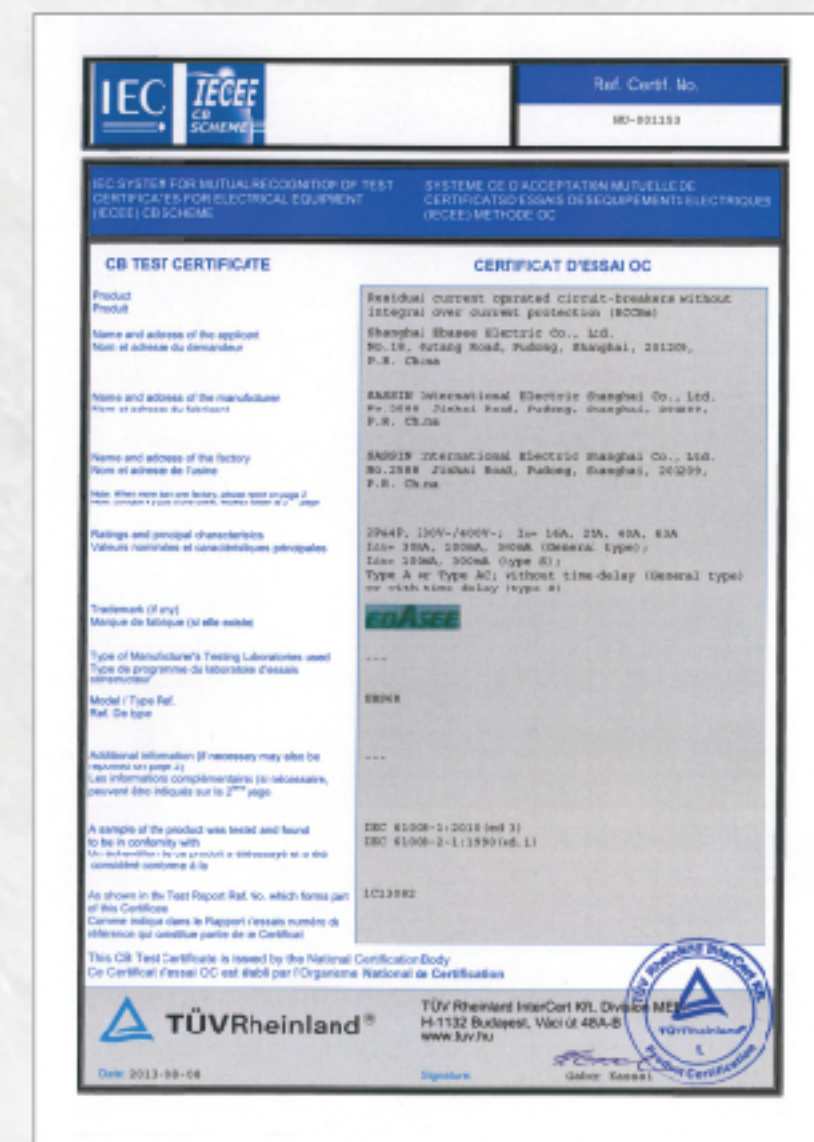
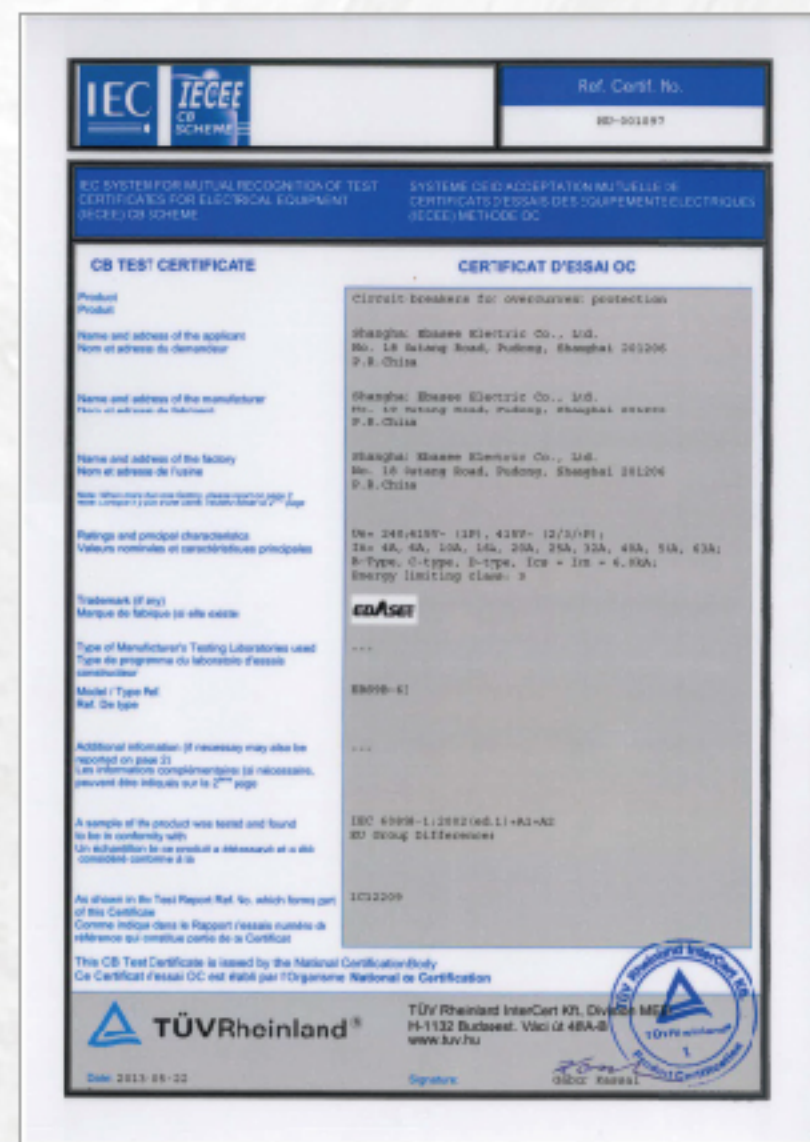
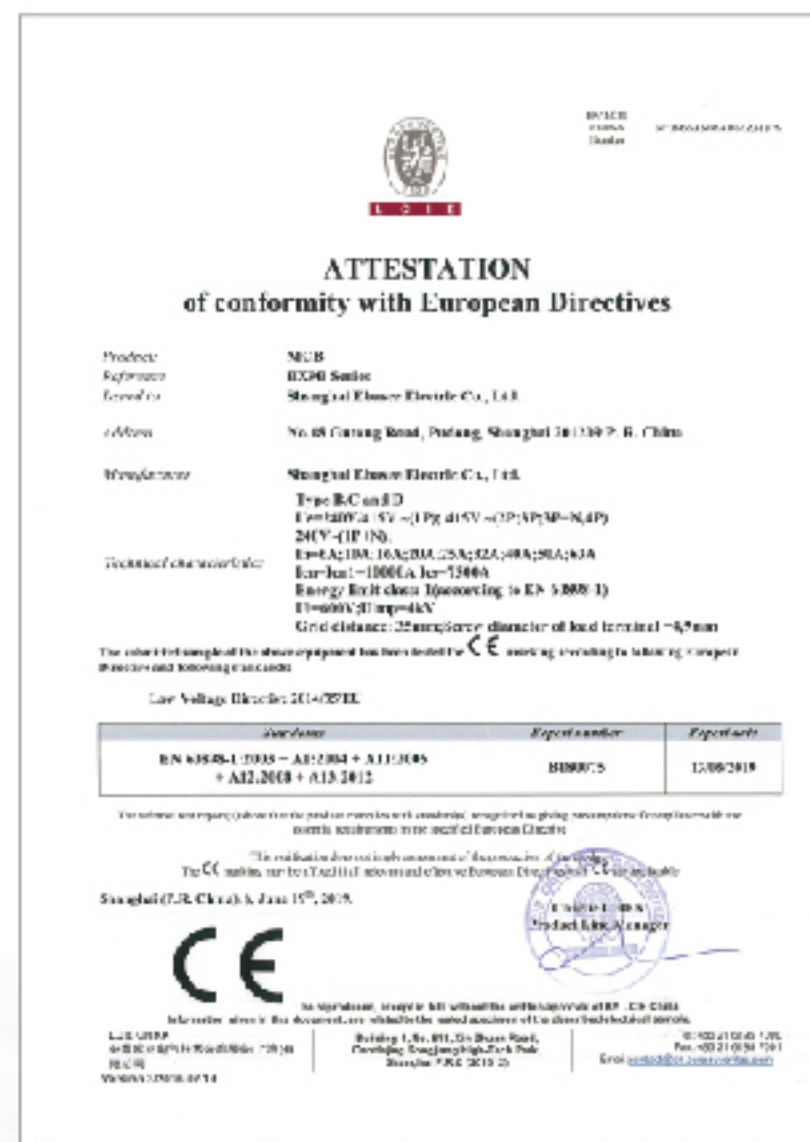


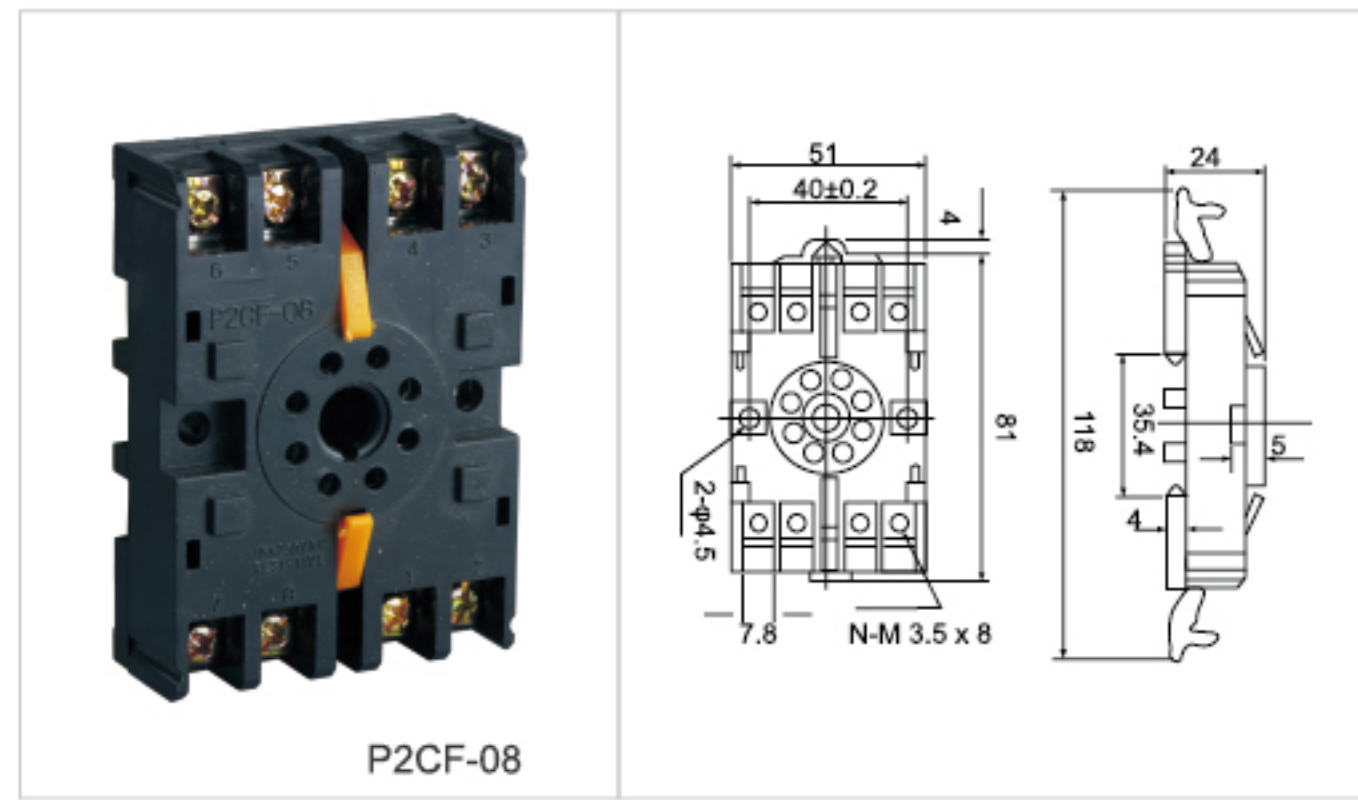
# SMART LIVING GREEN EBASEE



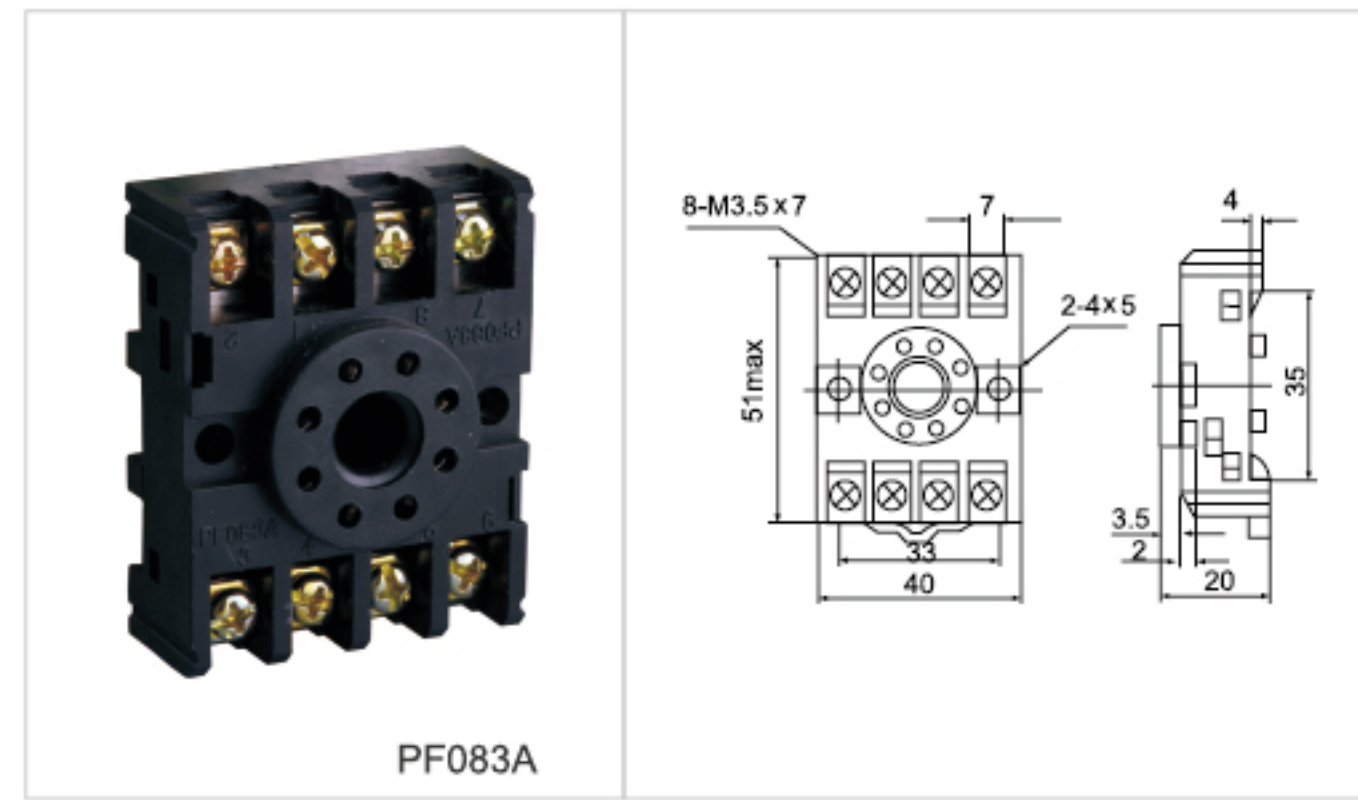
## INTERNATIONAL QUALITY CERTIFICATE

EBASEE products have been approved by international labs including BV, TUV, Intertek, with KEMA, CB, SEMKO, RoHS, CE, and CCC etc.

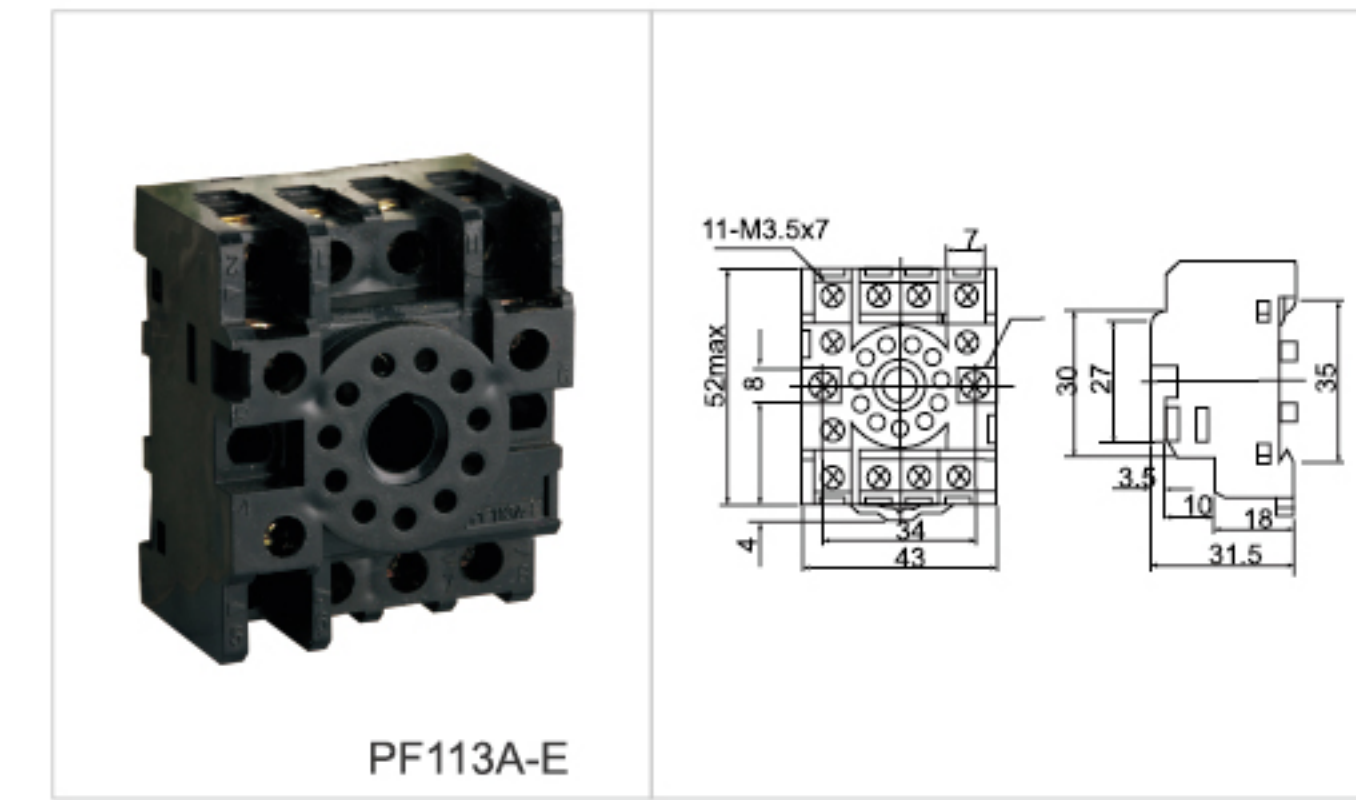




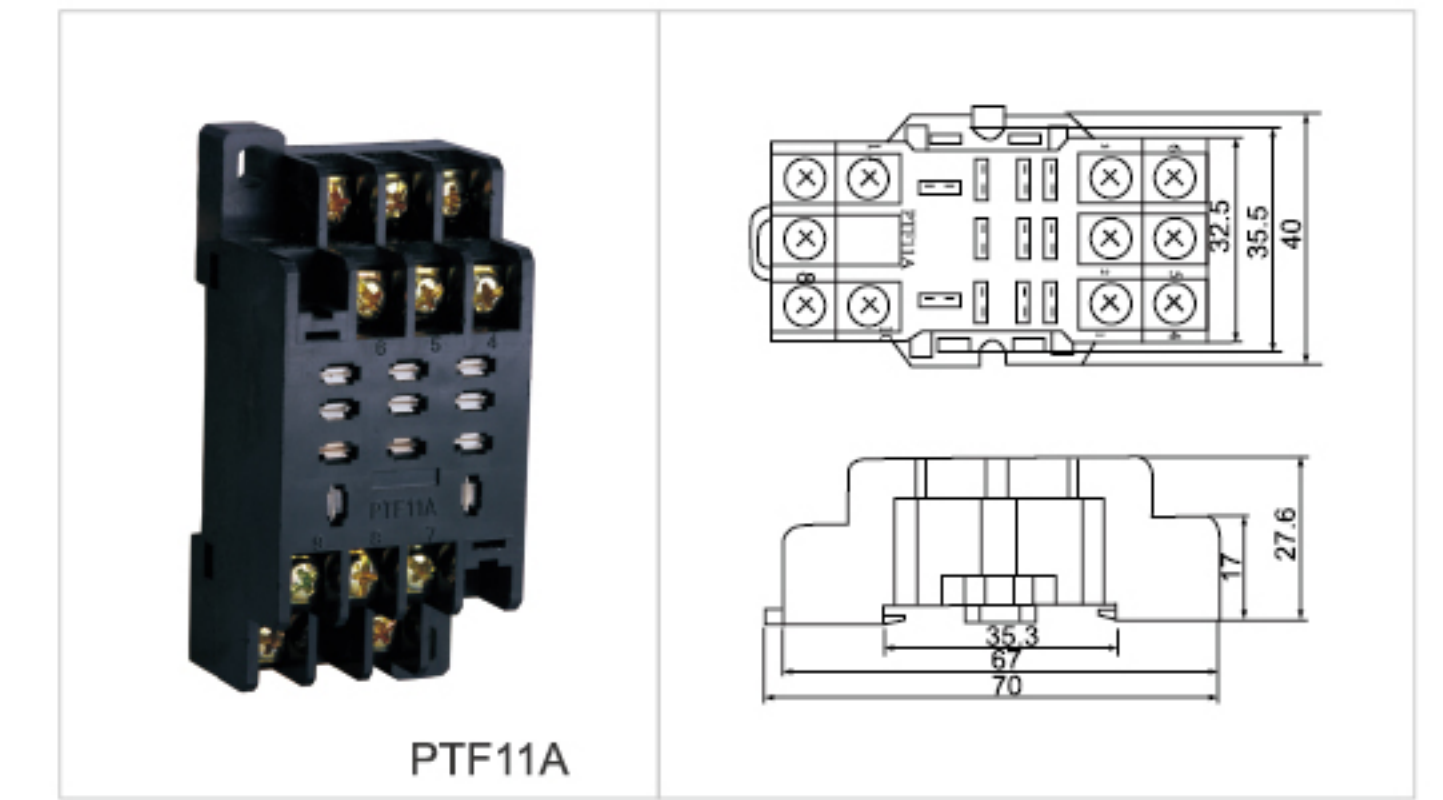
P2CF-08



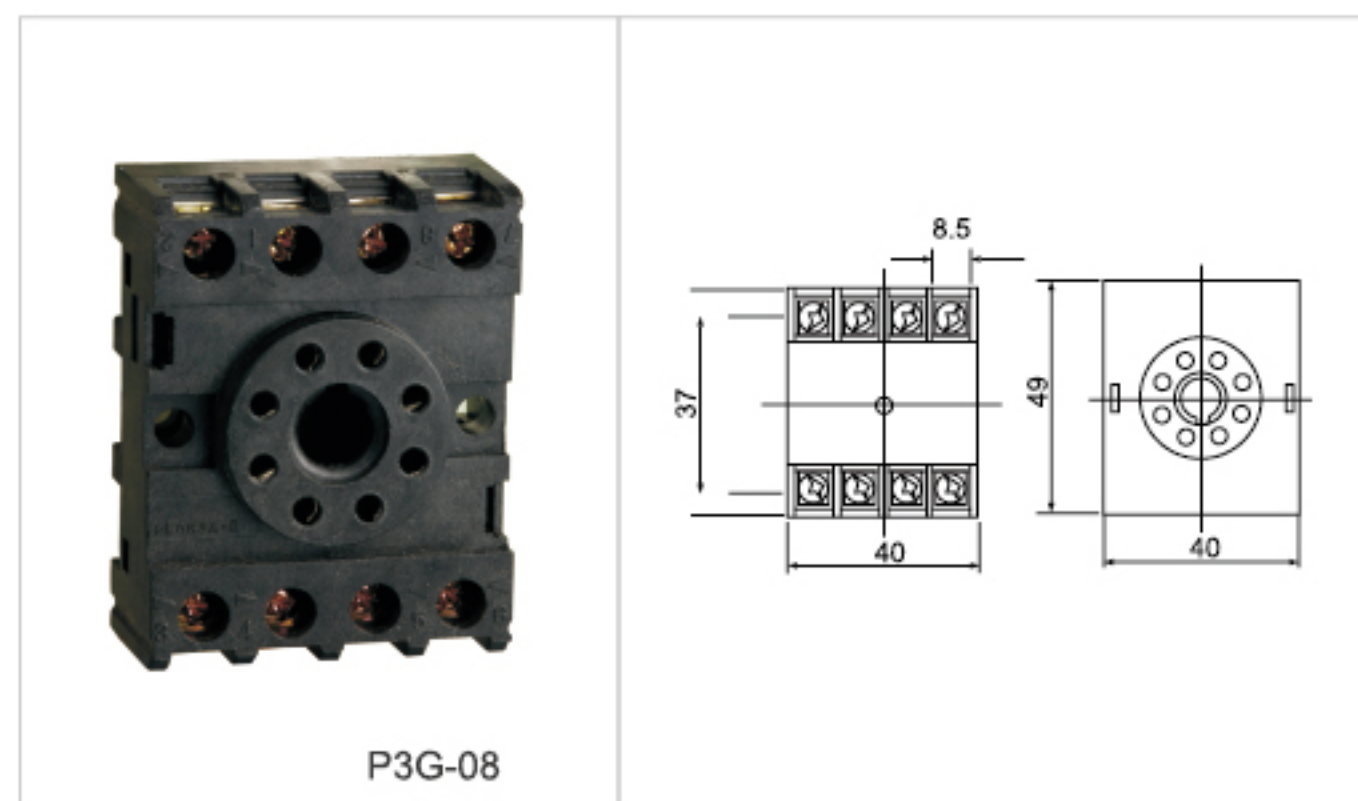
PF083A



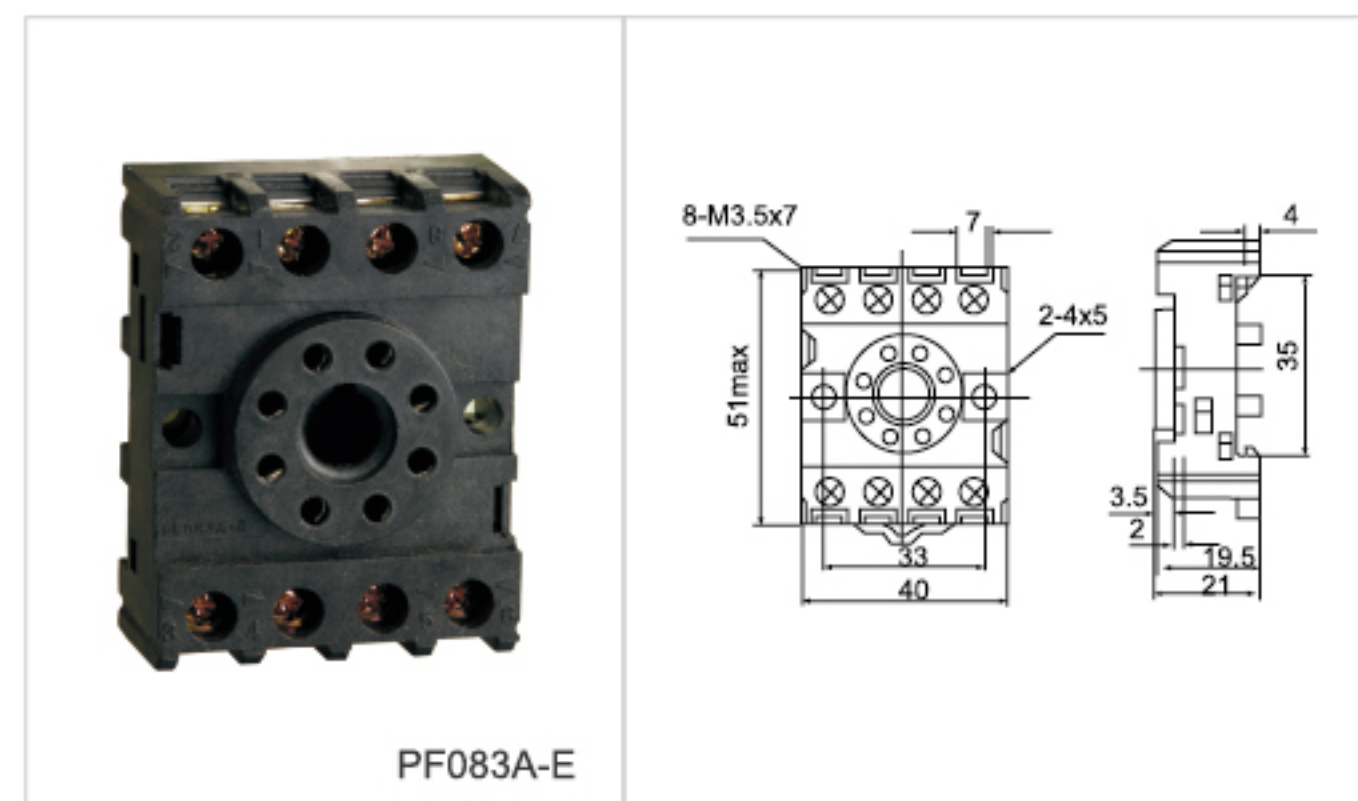
PF113A-E



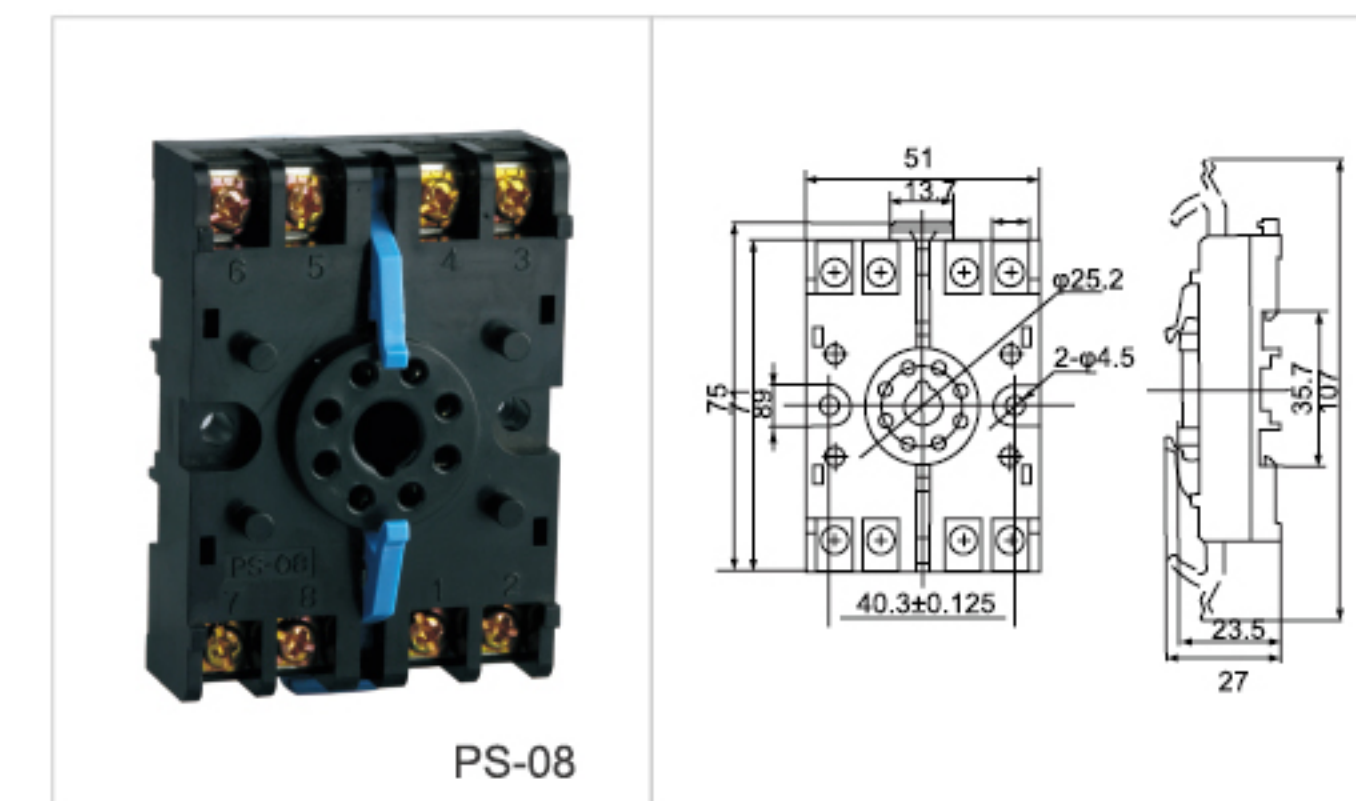
PTF11A



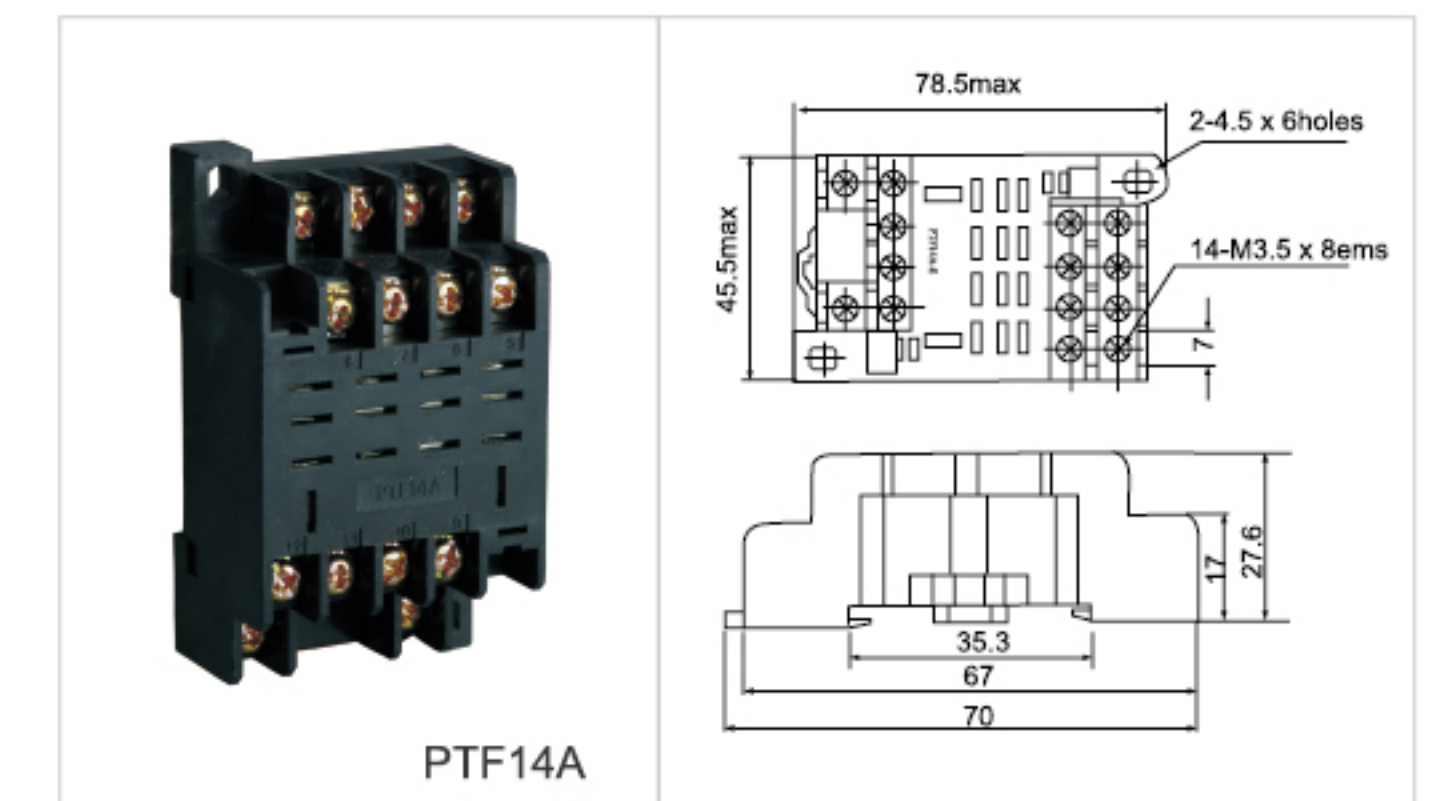
P3G-08



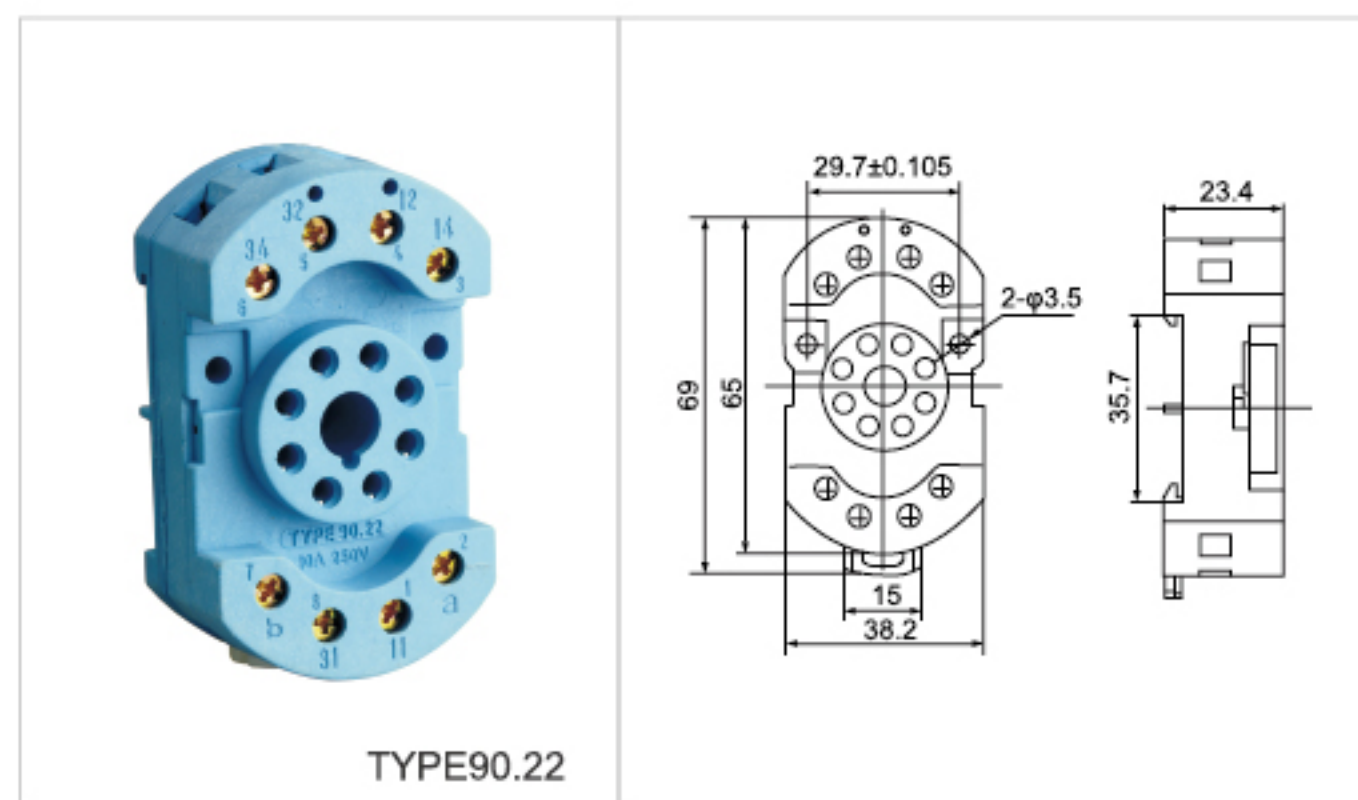
PF083A-E



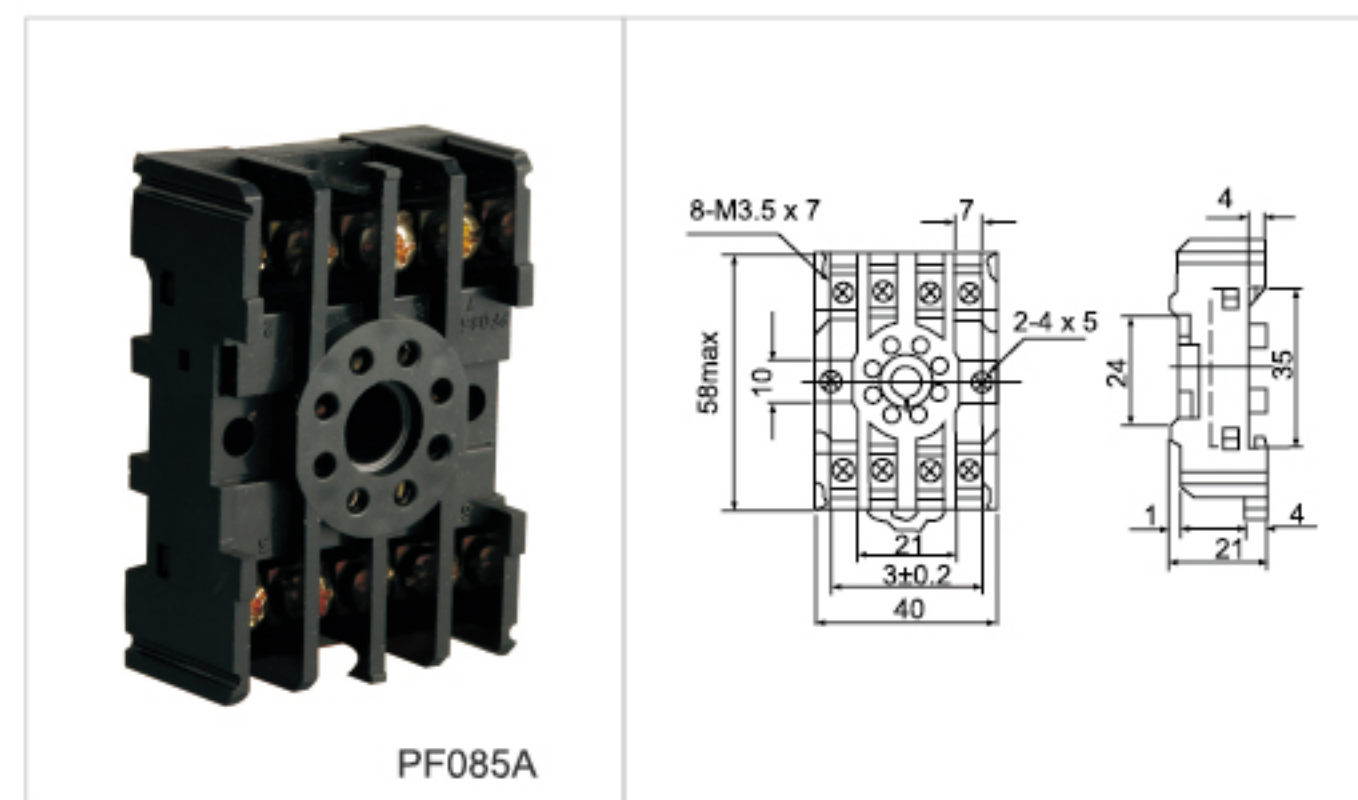
PS-08



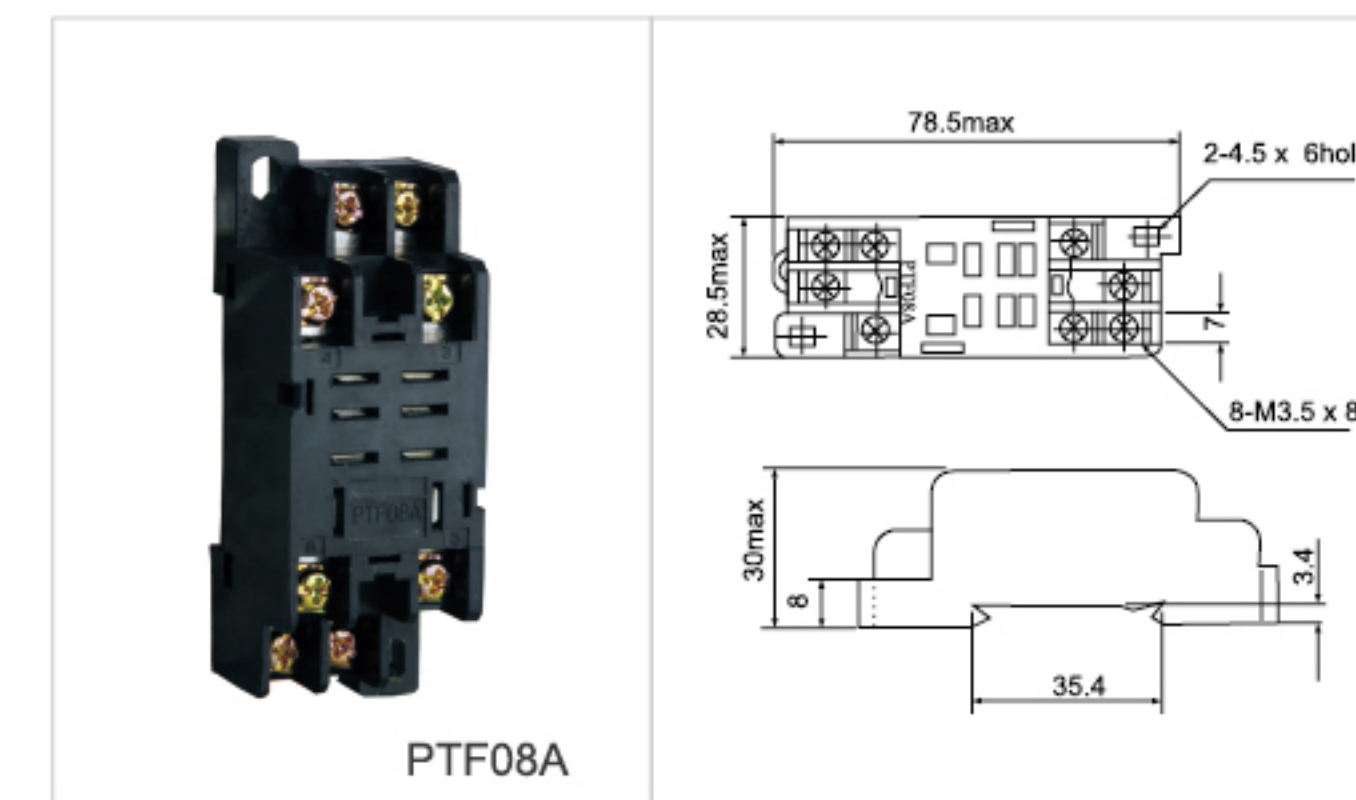
PTF14A



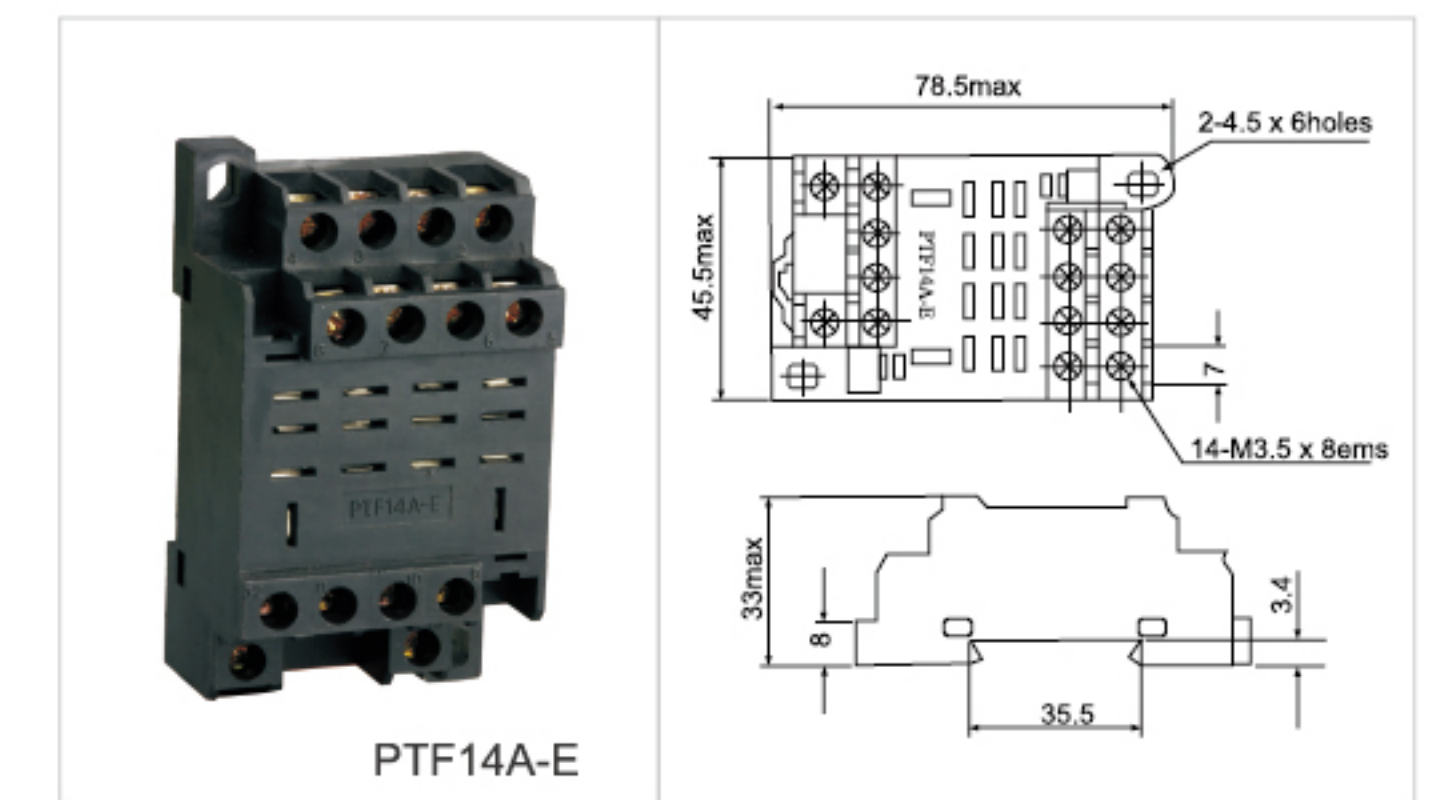
TYPE90.22



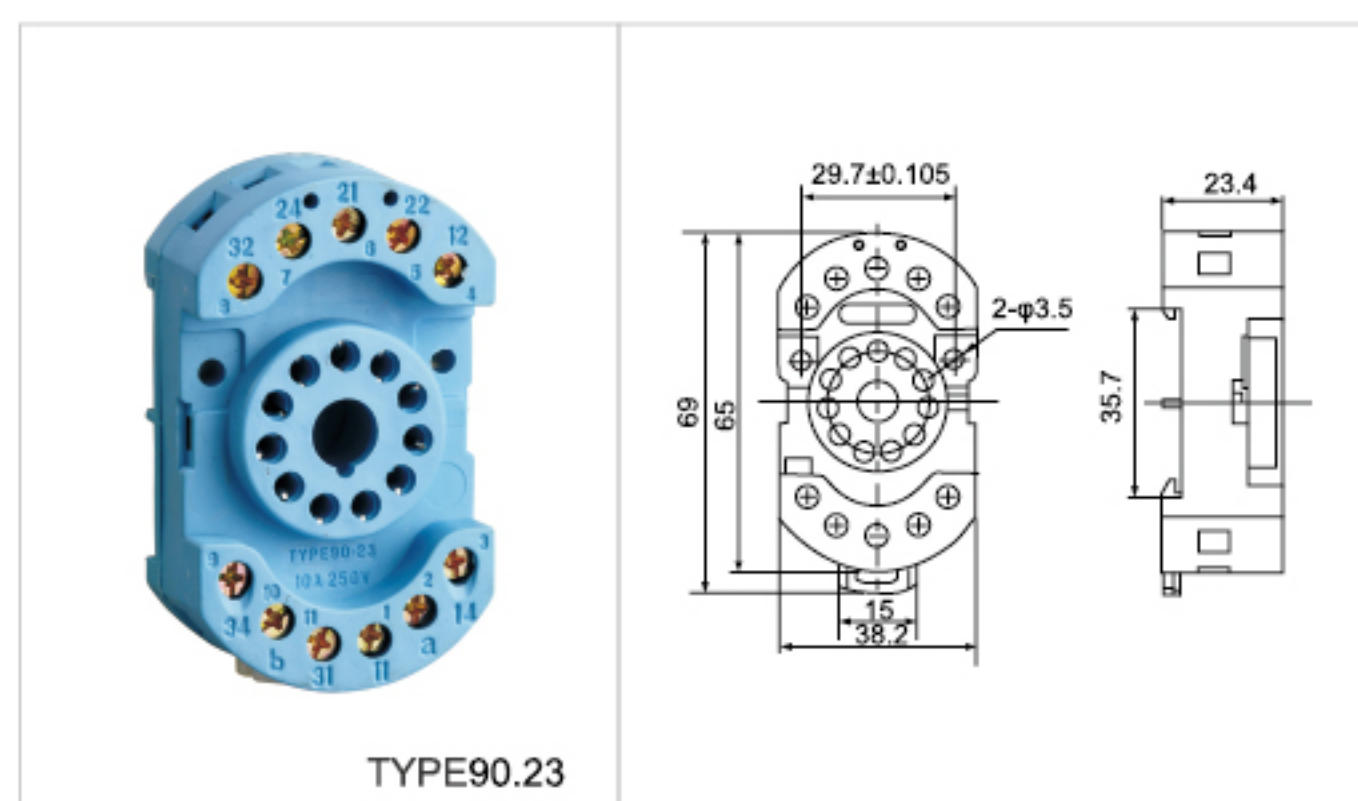
PF085A



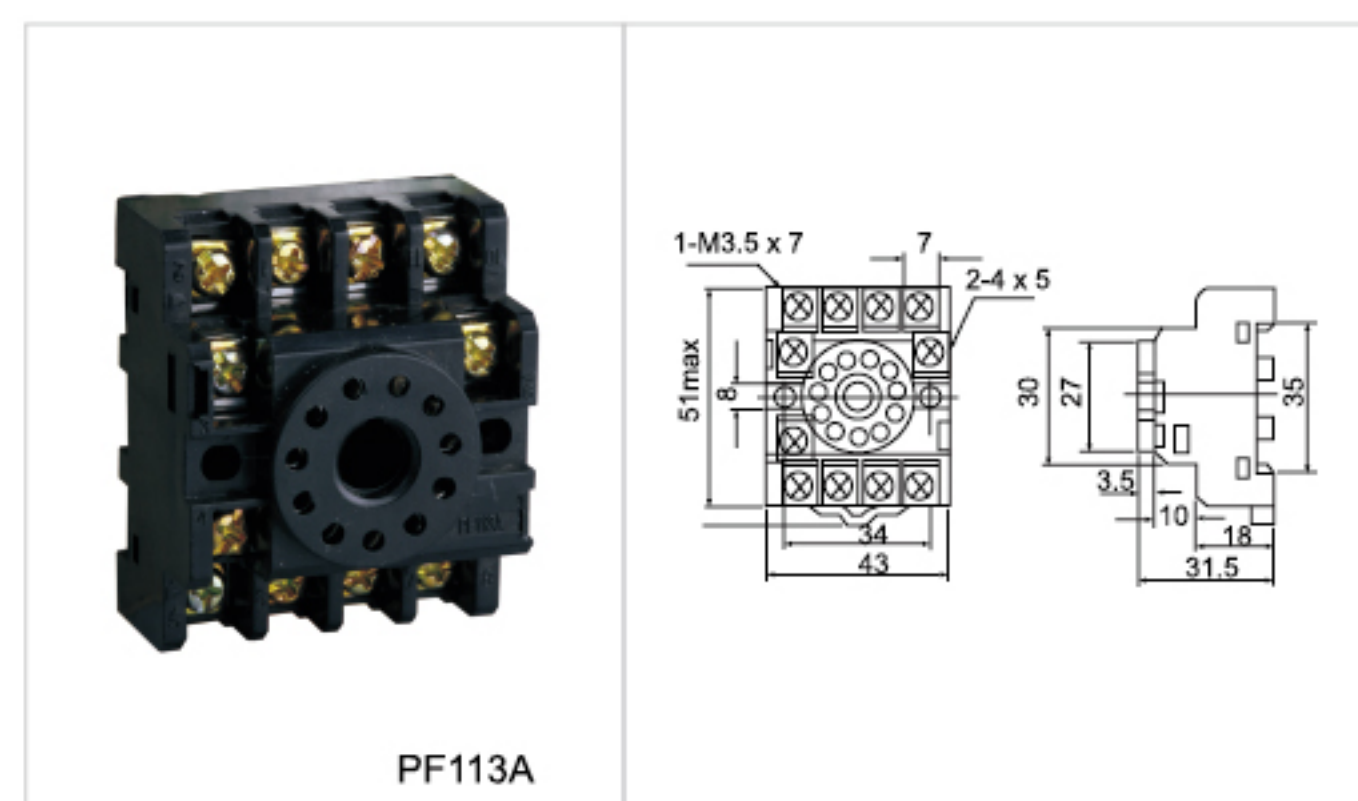
PTF08A



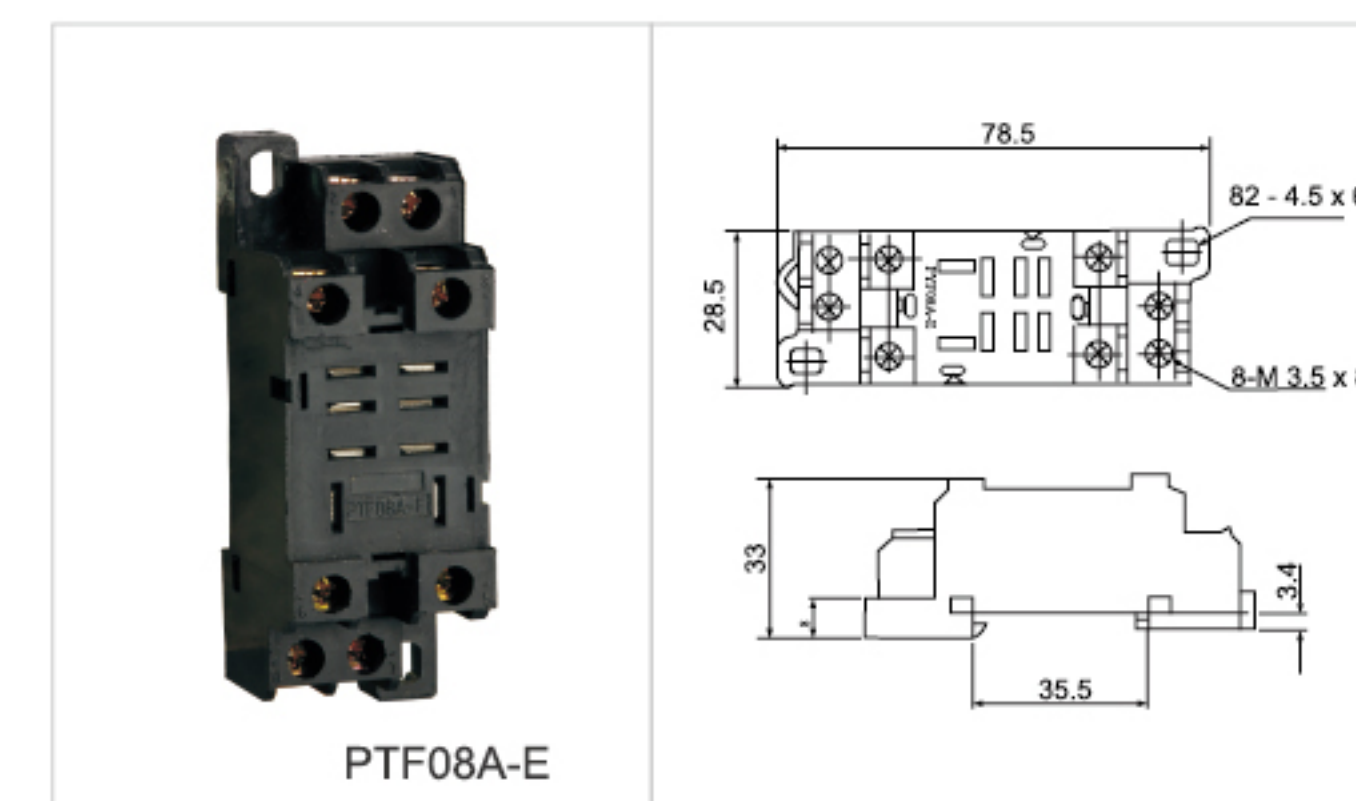
PTF14A-E



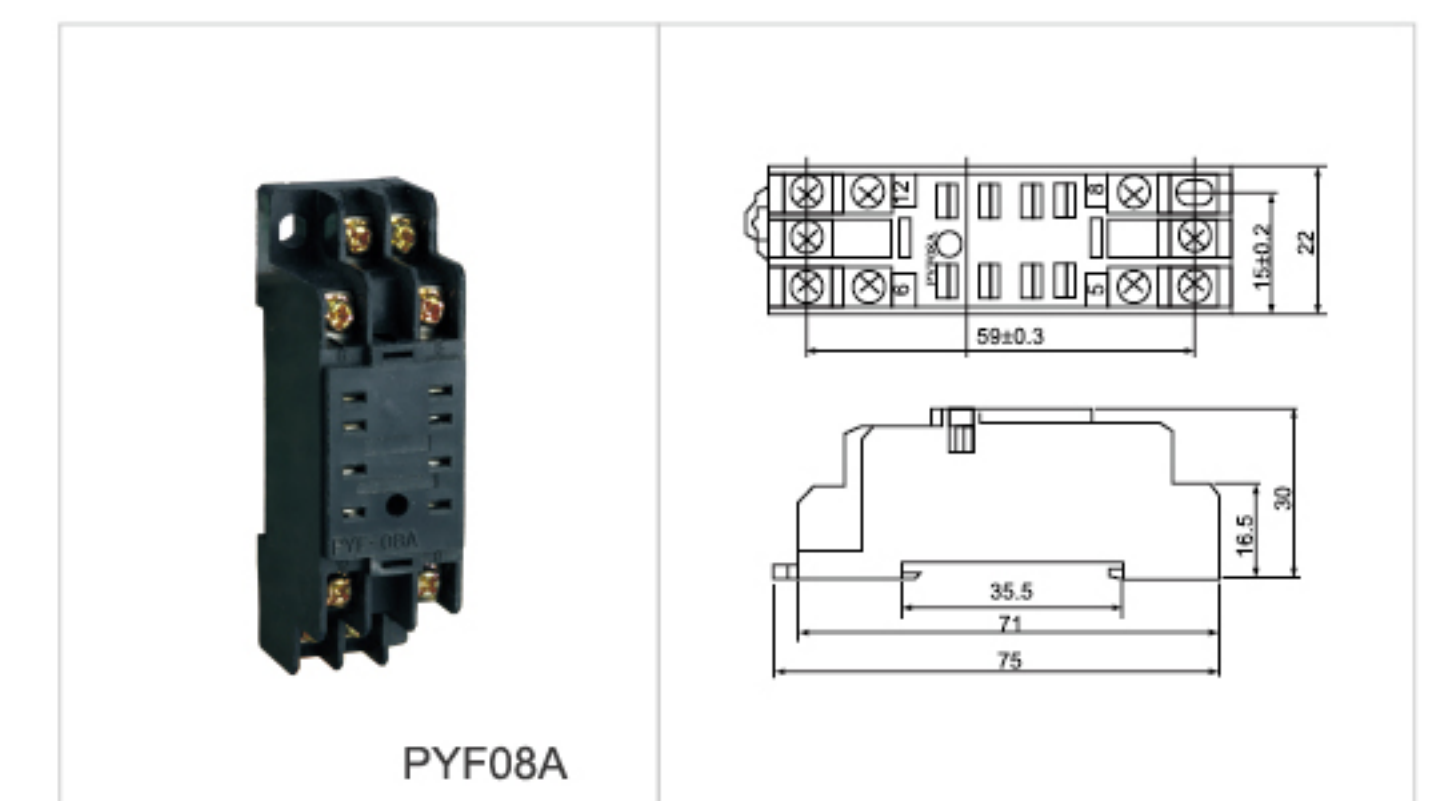
TYPE90.23



PF113A



PTF08A-E



PYF08A

