



Specifications and technical data are subject to change without notice.  
Please contact to confirm relevant information on ordering.

 No.18, Gutang Rd, Shanghai 201209, China  
 +86 21 5032 0898  
 +86 21 5032 0828  
 info@ebasee.com  
 www.ebasee.com



# **EBASEE**

Smart Living Green Ebasee



## **CONTROL ELECTRIC**



Copy right reserved EBS.NO.2021001

# COMPANY PROFILE

As a leading supplier in the low voltage electrics industry, Shanghai Ebasee Electric Co., Ltd. products have been used for residential, commercial and industrial applications with its quality and service. EBASEE brand is recognized for its quality and reliability in an ever-increasing number of markets worldwide. So far EBASEE products have been approved by international labs including BV, TUV, Intertek, with KEMA, CB, SEMKO, RoHS, CE, and CCC etc.

With qualified raw materials and components supply, all products are manufactured by EBASEE's defined international specifications. We have 4 semi-auto production lines, up-to-date quality control facilities, well-trained and experienced workers. Moreover, with a technical R & D team and fully equipped in-house laboratory, EBASEE factory can carry out efficient new products development, daily production and QC.

EBASEE have a wide range of cooperations with world leading companies in new products development, OEM and ODM cooperation. Meanwhile, we process the idea of green and smart energy, working with universities such as Xi'an Jiao Tong University to get more intelligent and environmental electric solutions.

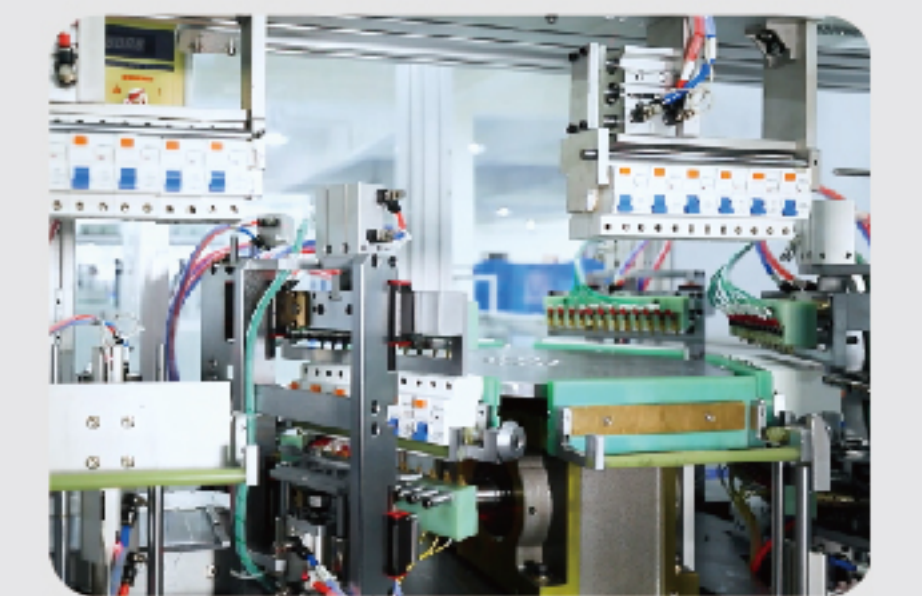
EBASEE focused on achieving growth through the success of worldwide partners. Guided by the philosophy of "market-oriented", powered by the idea of "Quick response and flexible supply", EBASEE support our worldwide partners to compete against established global players, to deliver the most systematic and cost-effective products and service in the market.

"Smart life, Green EBASEE"



Quality is our culture!

## PRODUCTION LINE

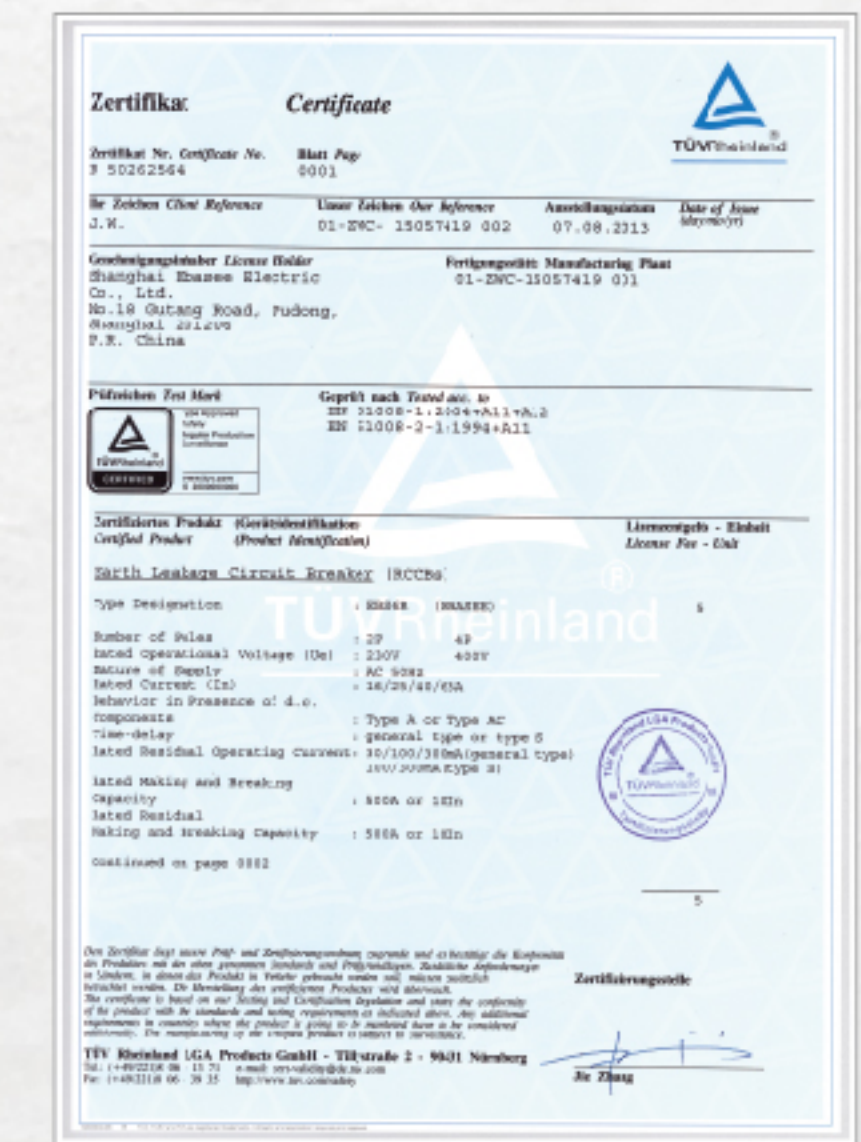
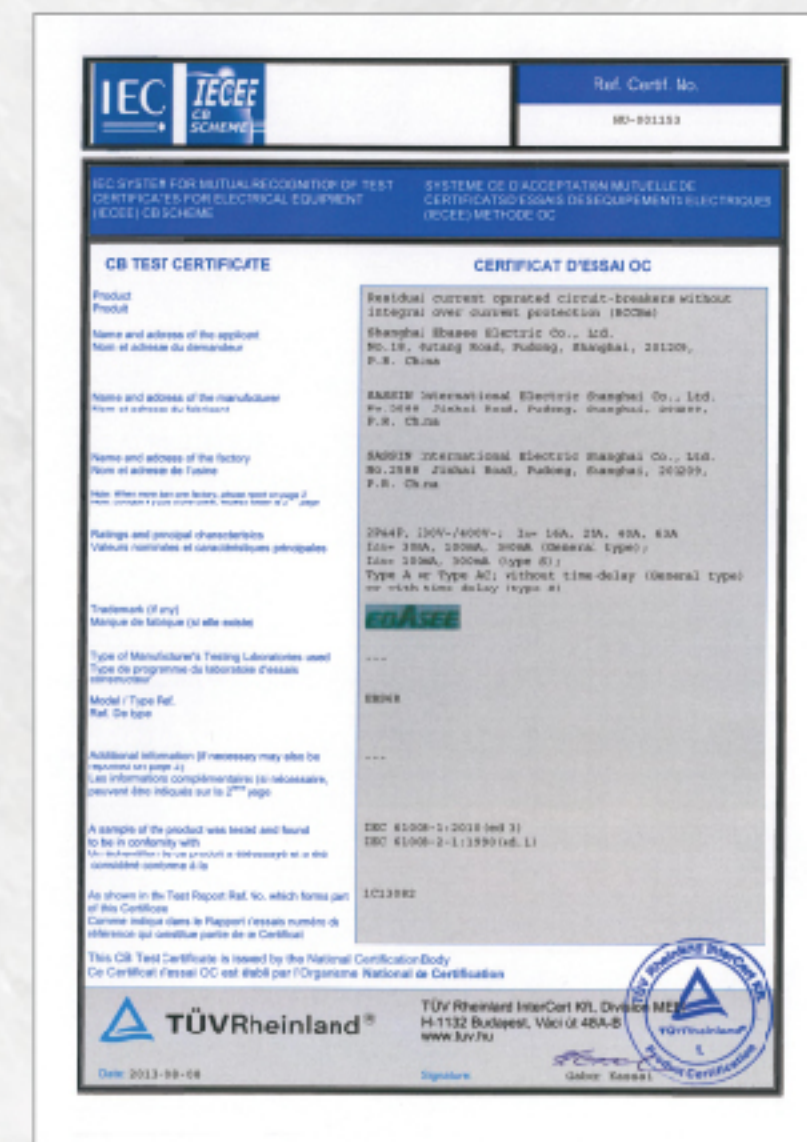
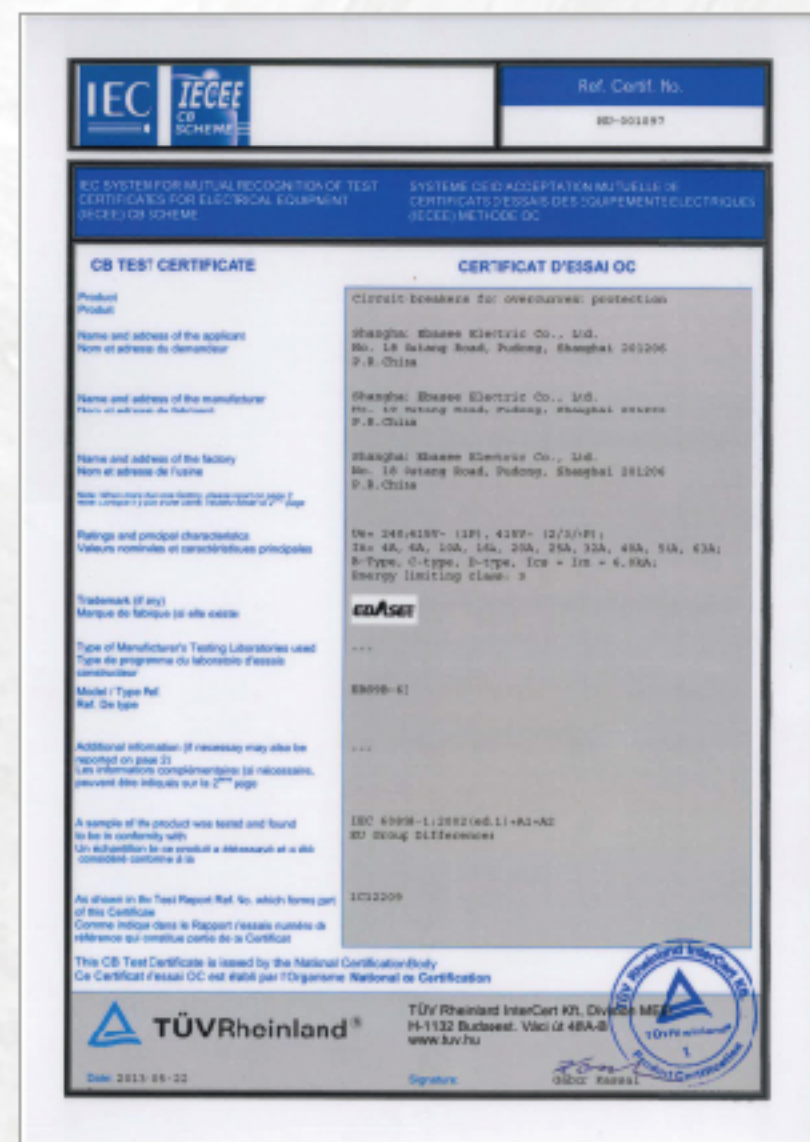
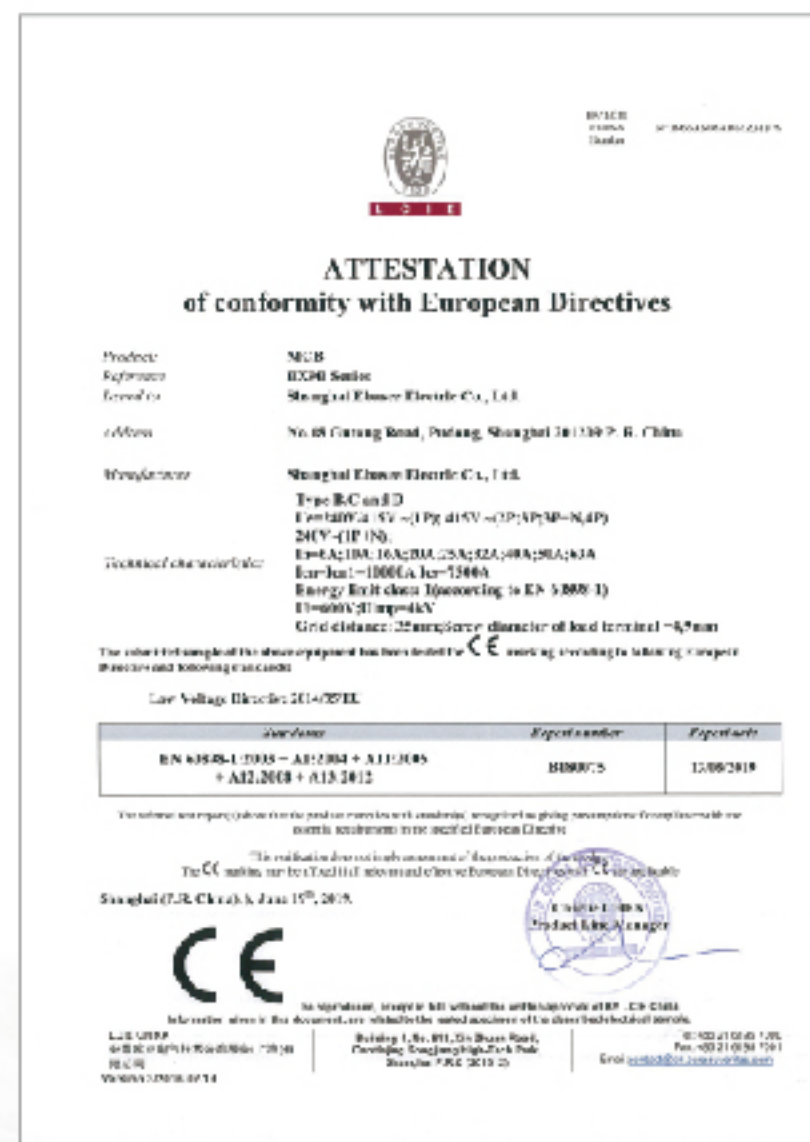


# SMART LIVING GREEN EBASEE



## INTERNATIONAL QUALITY CERTIFICATE

EBASEE products have been approved by international labs including BV, TUV, Intertek, with KEMA, CB, SEMKO, RoHS, CE, and CCC etc.



### 1.General

"This fuse series apply to AC 50Hz, rated voltage to 1140V and rate current to 1250A. It is mainly used for overload and short circuit protection" in electrical devices. It can break any current during the minimum melting current to 120kA reliably, and also be derived for semiconductor devices Its complete sets of equipment of short circuit protection (aR) and motor short circuit protection (aM).  
This series fuse conforms to IEC60269.

### 2.Structure Feature

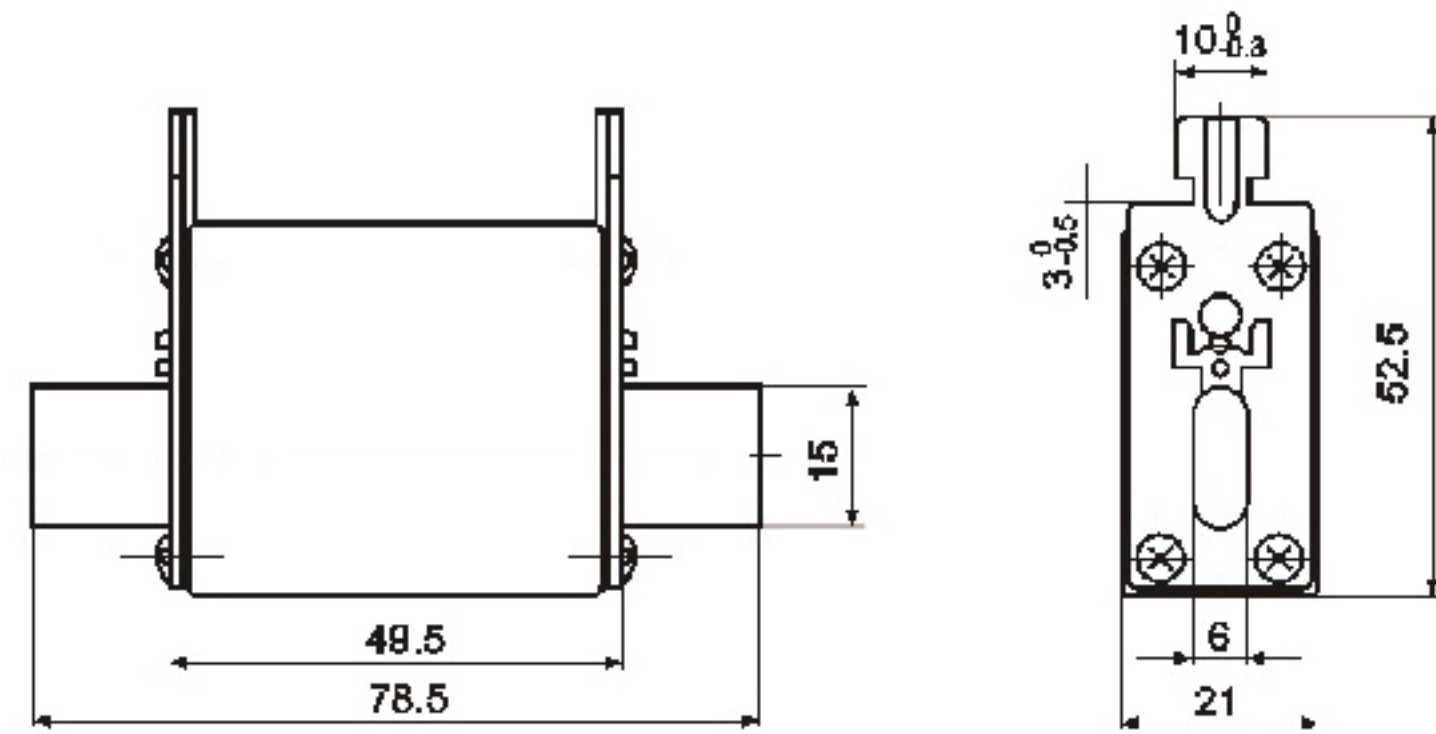
Variable cross-section fuse element made from pure copper or silver sealed in cardge made from high-duty ceramic. Fuse tube filld with chemically treated hih-purity quartz sand as arc-extinguishing medium. Dot-welding of fuse element ends to the terminals ensures reliable electric connection and forms insert knife type contacts. Indicator or striker may be attached to the fuse link to show cutout of fuse or to give various signals and to cut the circuit automatically.

### 3.Specifications

#### 3.1.Basic Data

Cat. NO.	Model of fuse link				Rated voltage(v)	Rated current(A)	Weight (g)	See figure	Dimensions /sizes(mm)
	The company		Domestic and similar products						
	General (gG)	Quick speed (aR)	General (gG)	Quick speed (aR)					
0201	NH00C	—	—	—	500/660	4~100	132	1.1	Refer to drawing 1.1 for detailed data

#### Product photo and Dimension

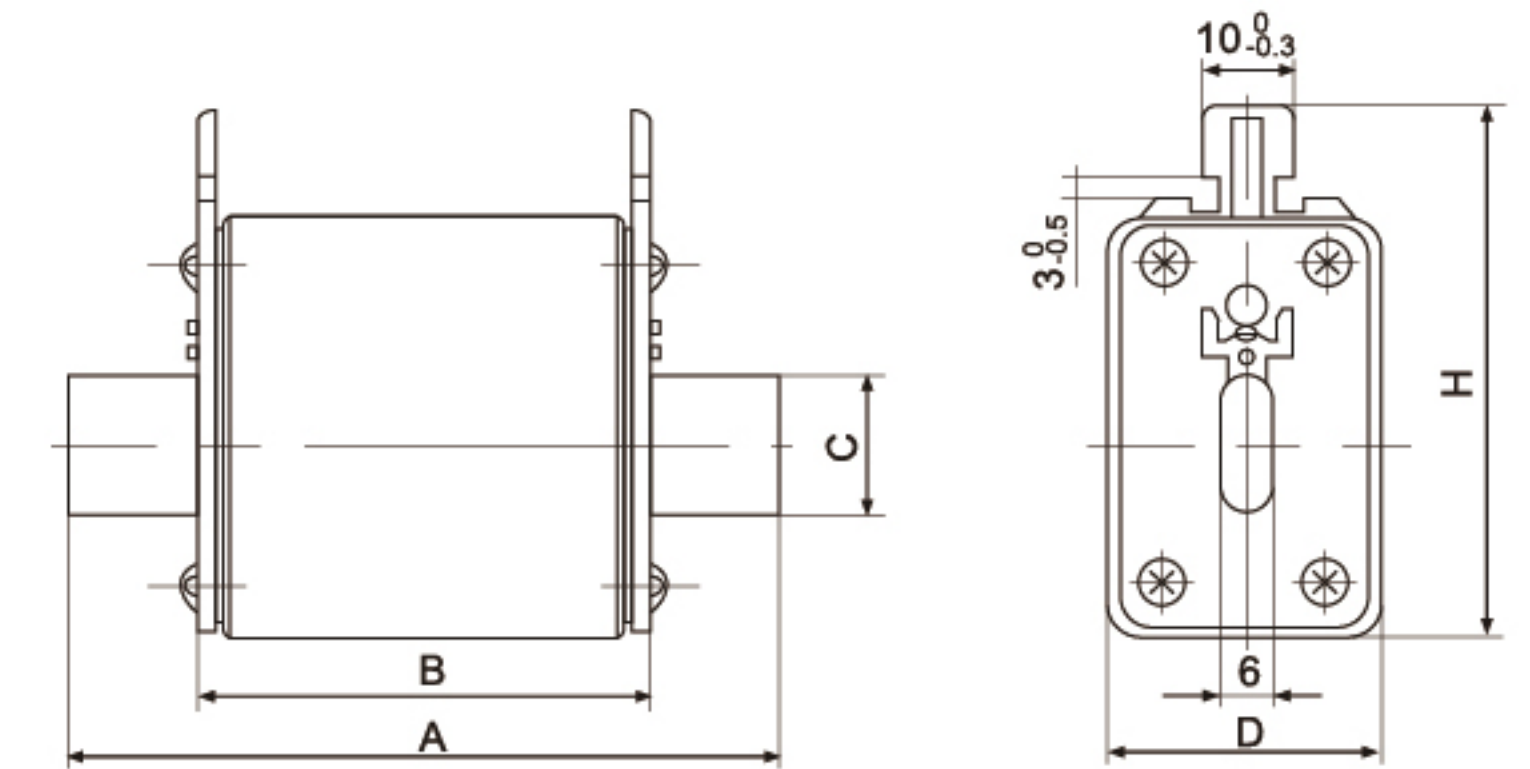


Drawing 1.1

### 3.2.Basic Data

Cat. NO.	Model of fuse link				Rated voltage(v)	Rated current(A)	Weight (g)	See figure	Dimensions /sizes(mm)				
	The company		Domestic and similar products										
	General (gG)	Quick speed (aR)	General (gG)	Quick speed (aR)					A	B	C	D	H
0202	NH00	RS31	—	—	500/660	10~160	180	1.2	78	50.5	15	30	60
0203	NH0	—	—	—	500/660	6~160	267	1.2	125	67	15	30	60

#### Product photo and Dimension

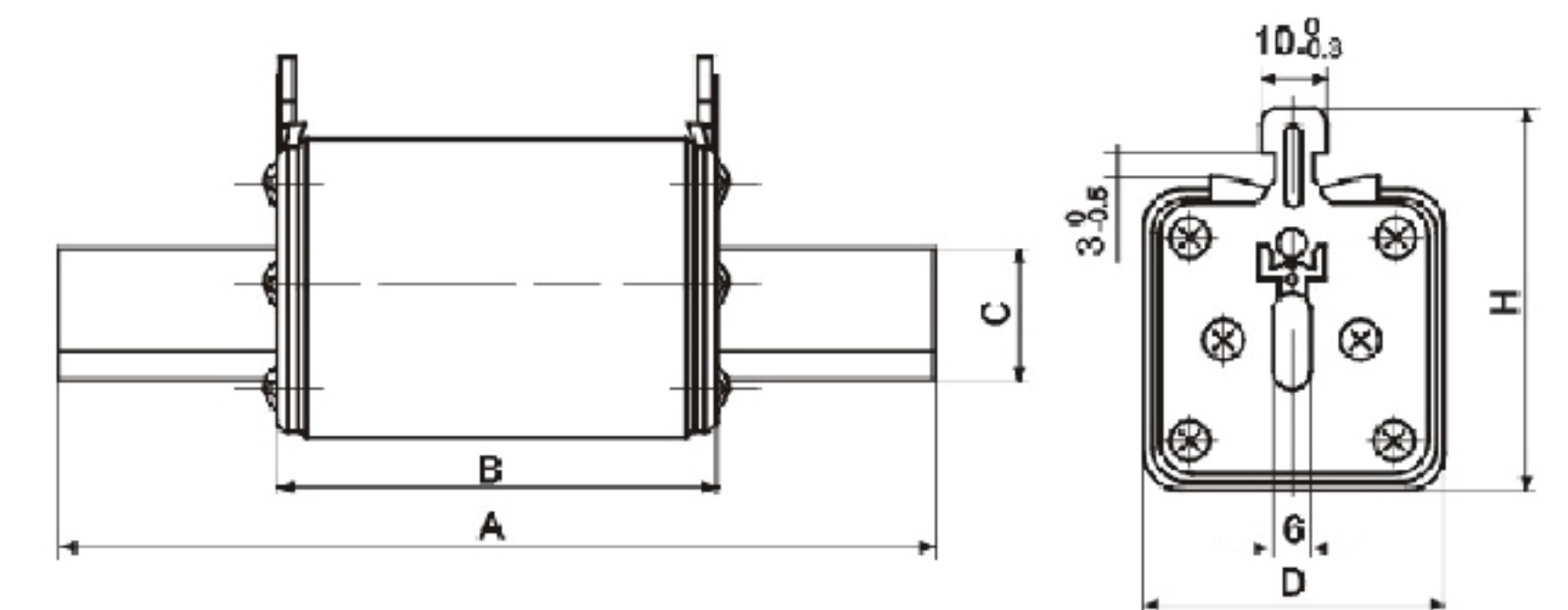


Drawing 1.2

#### 3.3.Basic Data

Cat. NO.	Model of fuse link				Rated voltage(v)	Rated current(A)	Weight (g)	See figure	Dimensions /sizes(mm)				
	The company		Domestic and similar products										
	General (gG)	Quick speed (aR)	General (gG)	Quick speed (aR)					A	B	C	D	H
0204	NH1	RS32	—	—	500/660	32~250	447	1.3	135	67	20	46	58.5
0205	NH2	RS33	—	—	500/660	80~400	727	1.3	150	68	30	58.5	68.5
0206	NH3	RS34	—	—	500/660	160~630	975	1.3	150	68	36	70	82

#### Product photo and Dimension

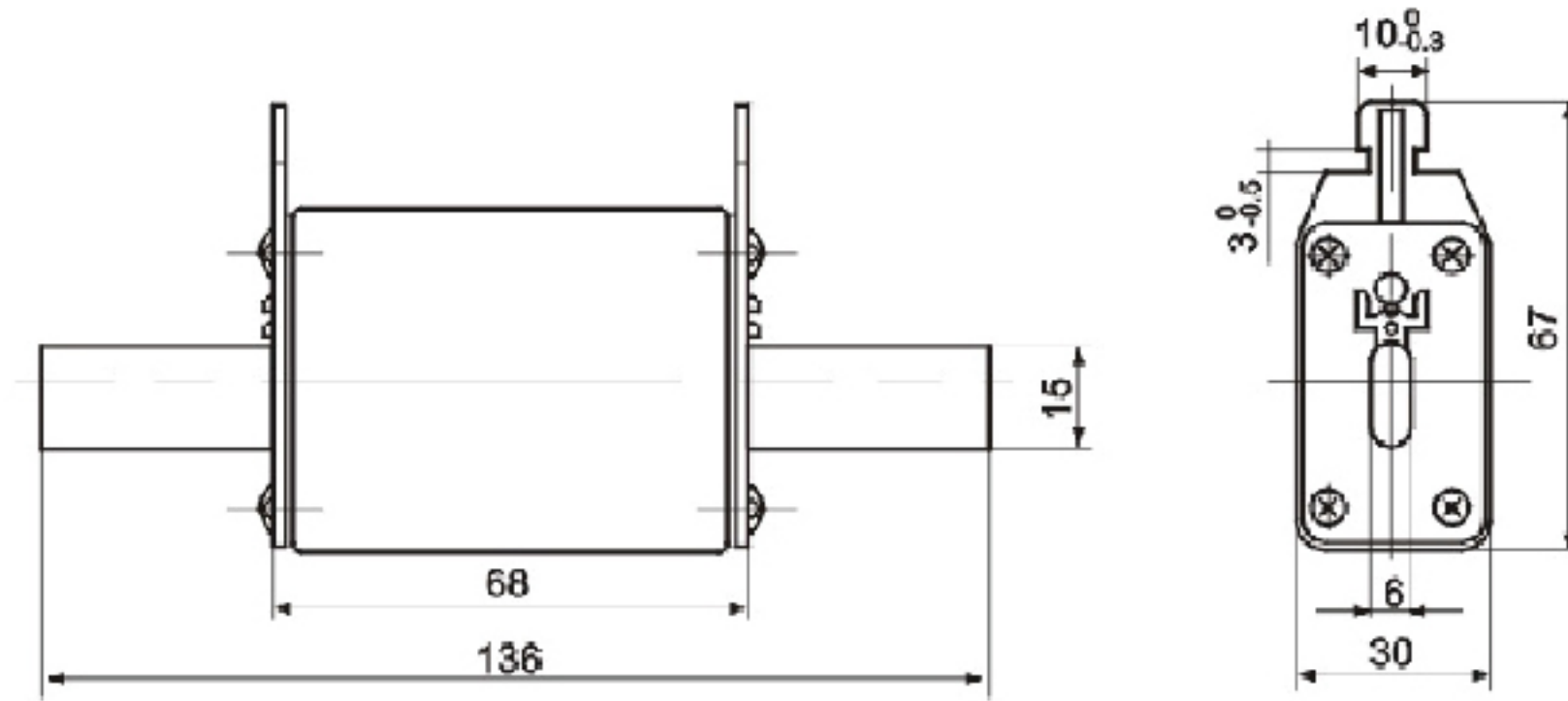


Drawing 1.3

3.4. Basic Data

Cat. NO.	Model of fuse link				Rated voltage(v)	Rated current(A)	Weight (g)	See figure	Dimensions /sizes(mm)
	The company		Domestic and similar products						
	General (gG)	Quick speed (aR)	General (gG)	Quick speed (aR)					
0207	NH1 (Small volume)	—	—	—	500/660	16~160	300	1.4	Refer to drawing 1.4 for detailed data

Product photo and Dimension

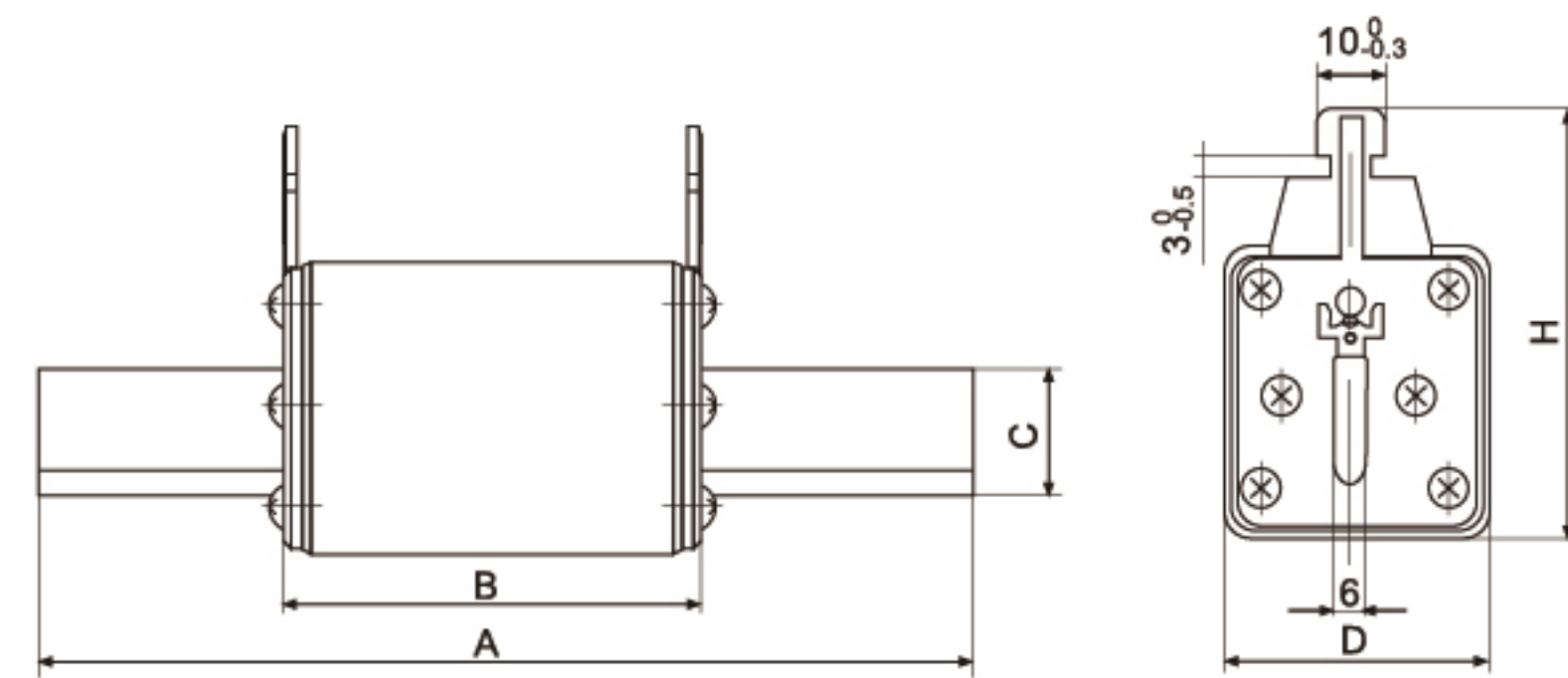


Drawing 1.4

3.5. Basic Data

Cat. NO.	Model of fuse link				Rated voltage(v)	Rated current(A)	Weight (g)	See figure	Dimensions /sizes(mm)				
	The company		Domestic and similar products										
	General (gG)	Quick speed (aR)	General (gG)	Quick speed (aR)					A	B	C	D	H
0208	"NH2 (Small volume)"	—	—	—	500/660	35~250	450	1.5	150	67	20	46	67
0209	"NH3 (Small volume)"	—	—	—	500/660	200~400	727	1.5	150	67	30	58.5	81.5

Product photo and Dimension

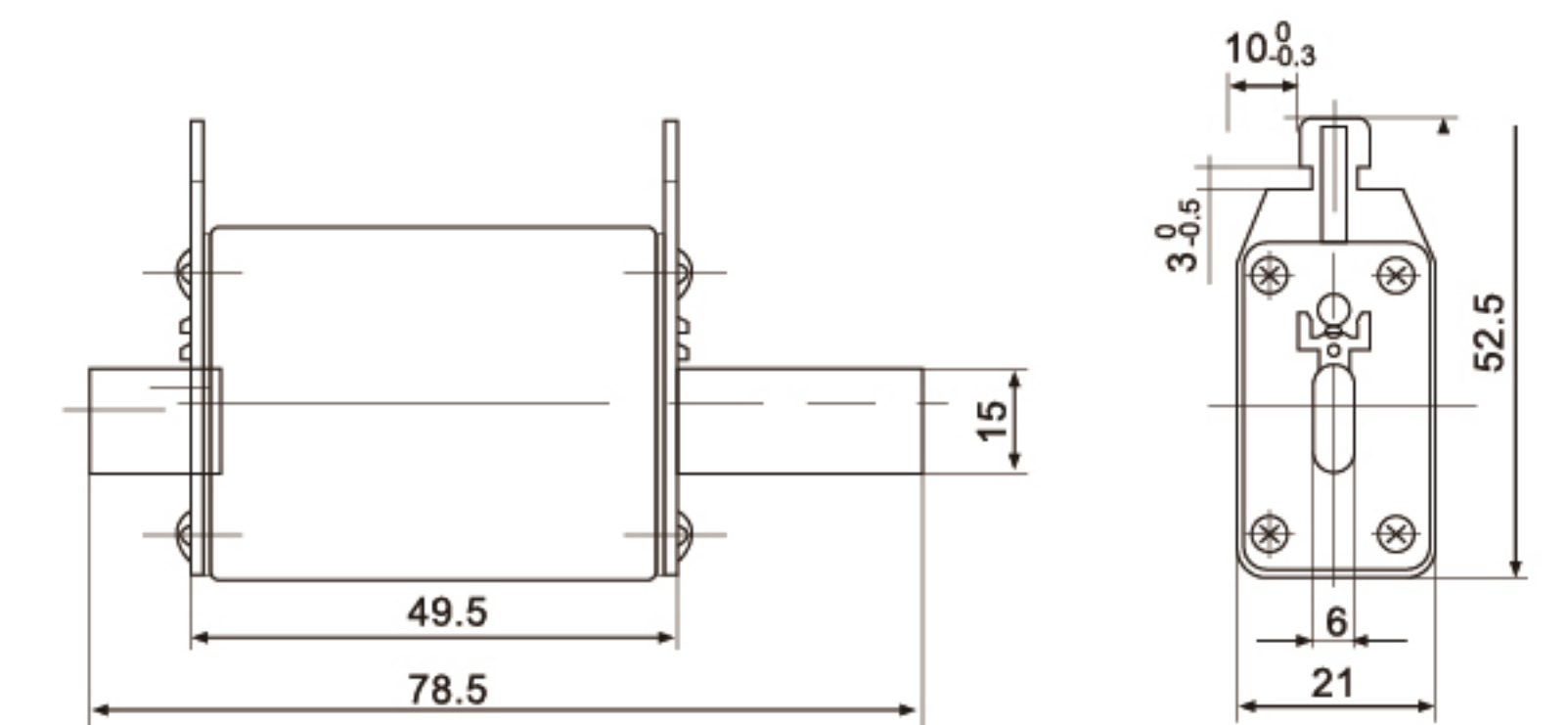


Drawing 1.5

3.6. Basic Data

Cat. NO.	Model of fuse link				Rated voltage(v)	Rated current(A)	Weight (g)	See figure	Dimensions /sizes(mm)
	The company		Domestic and similar products						
	General (gG)	Quick speed (aR)	General (gG)	Quick speed (aR)					
0210	NH000S	—	—	—	500/660	4~100	132	1.6	Refer to drawing 1.6 for detailed data

Product photo and Dimension

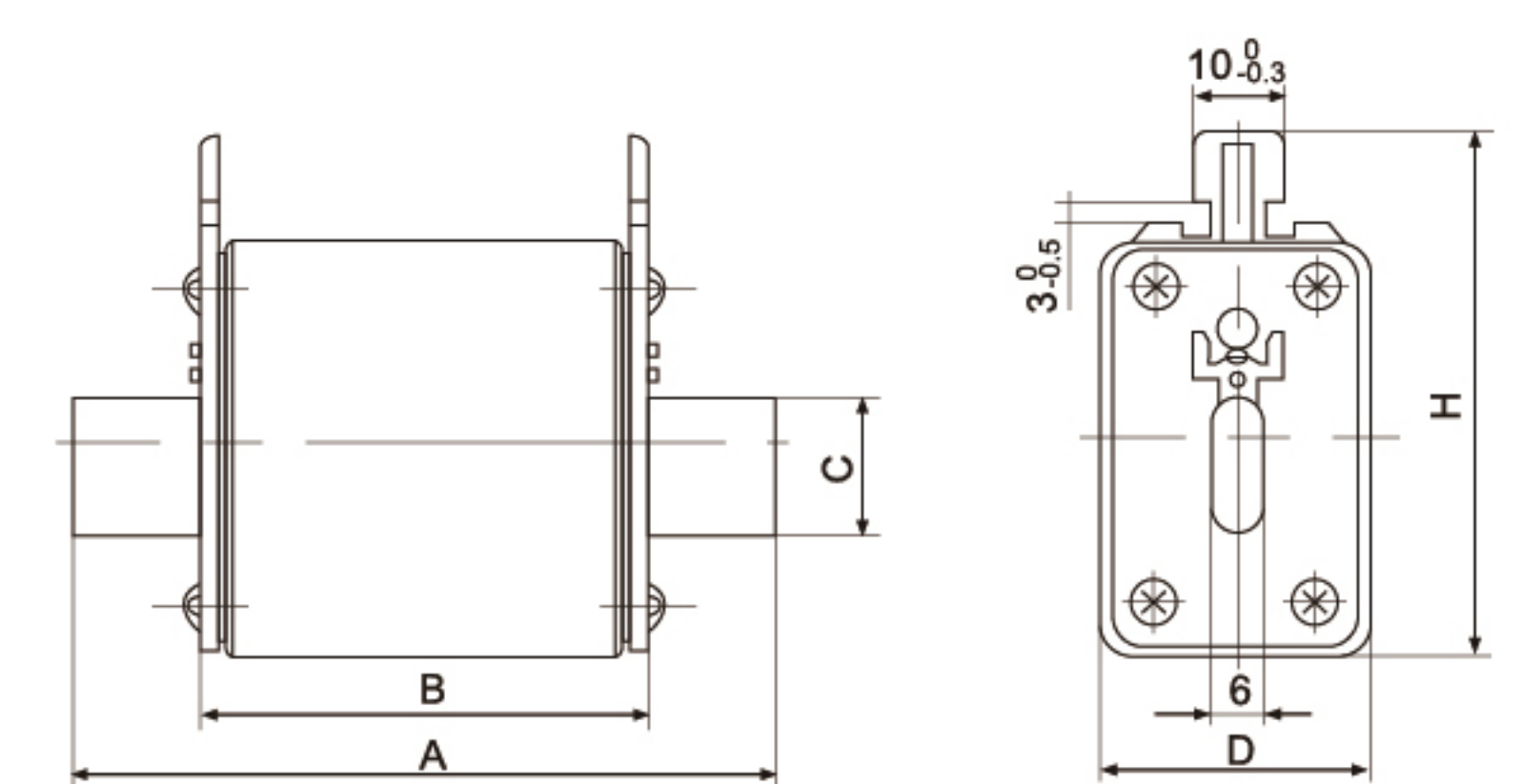


Drawing 1.6

3.7. Basic Data

Cat. NO.	Model of fuse link				Rated voltage(v)	Rated current(A)	Weight (g)	See figure	Dimensions /sizes(mm)				
	The company		Domestic and similar products										
	General (gG)	Quick speed (aR)	General (gG)	Quick speed (aR)					A	B	C	D	H
0211	NH00S	—	—	—	500/690	10~160	180	1.7	78	50.5	15	30	60
0212	NH0S	—	—	—	500/690	6~160	267	1.7	125	67	15	30	60

Product photo and Dimension

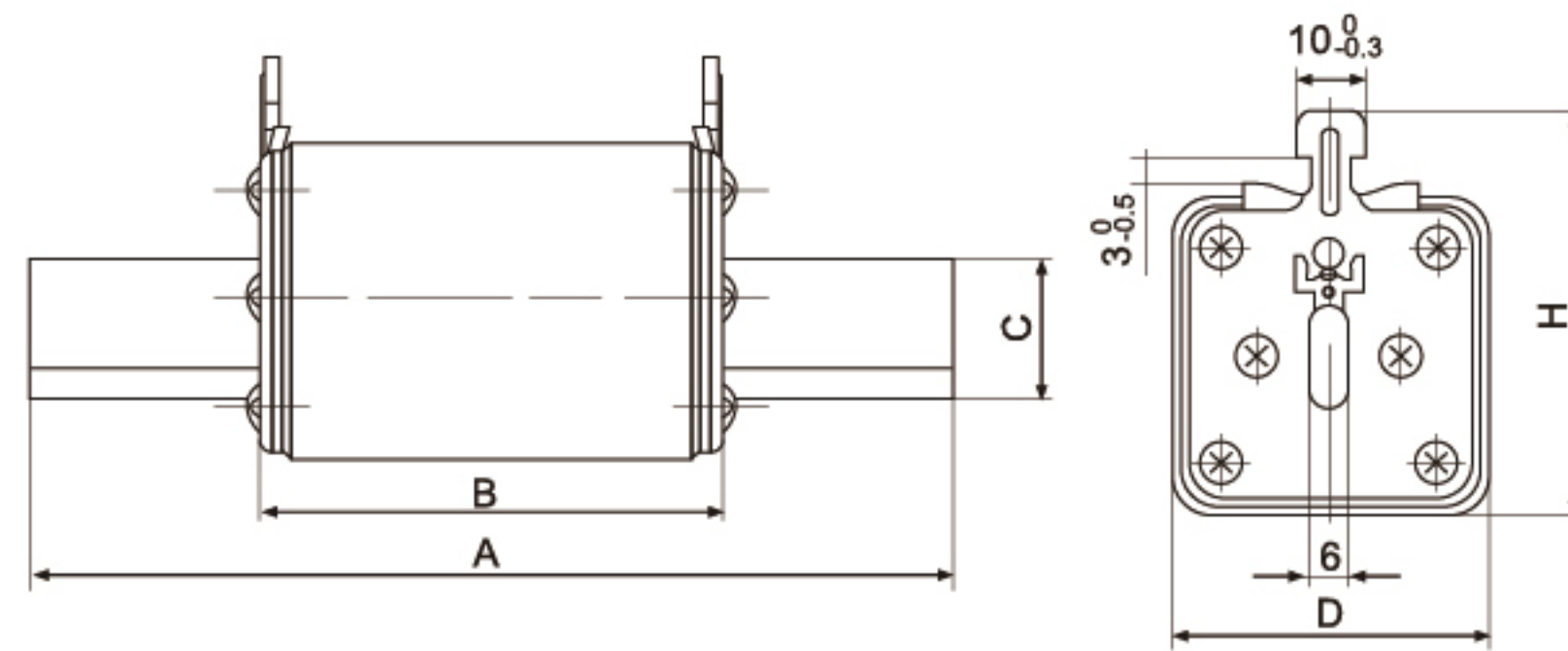


Drawing 1.7

3.3. Basic Data

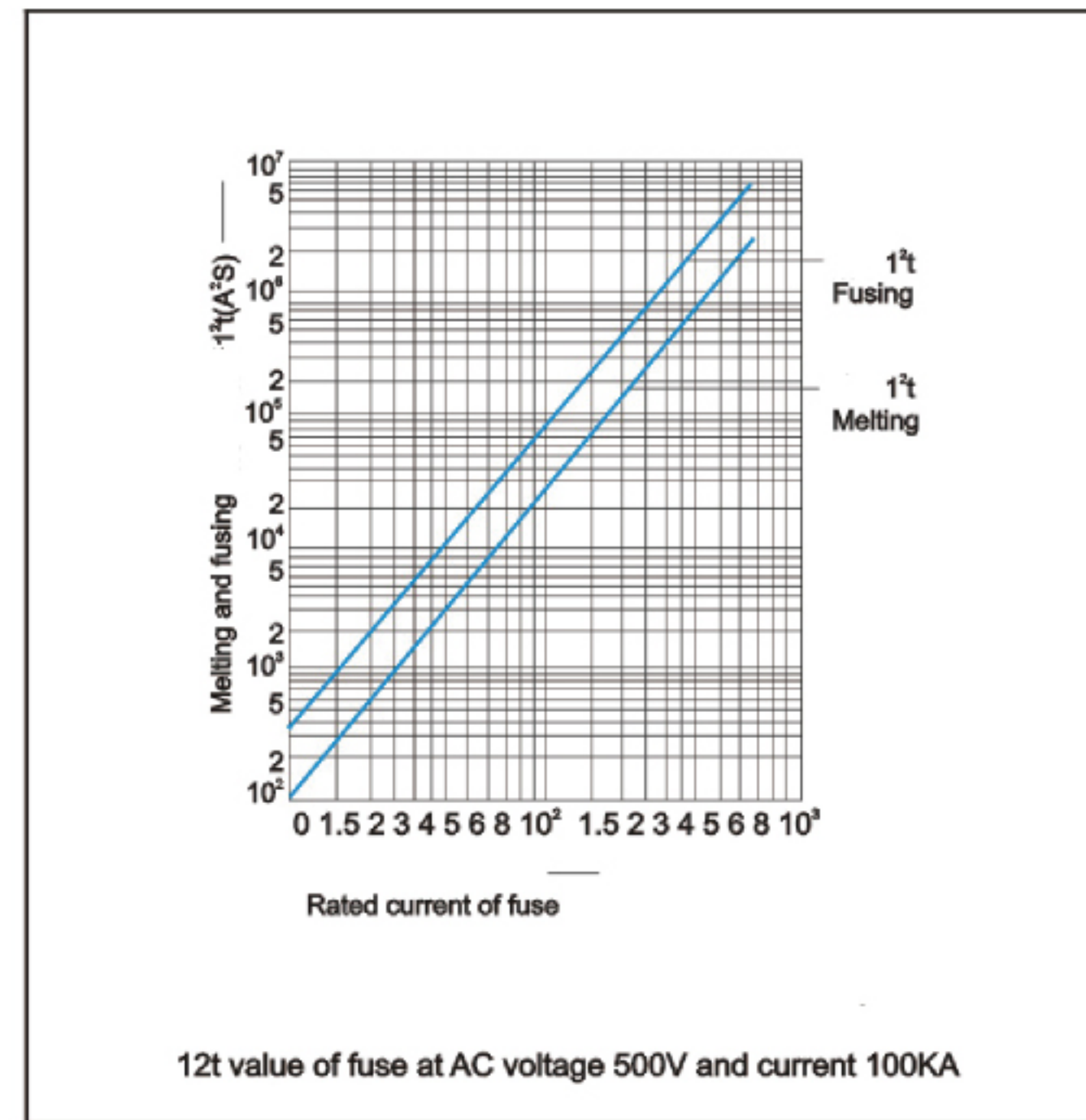
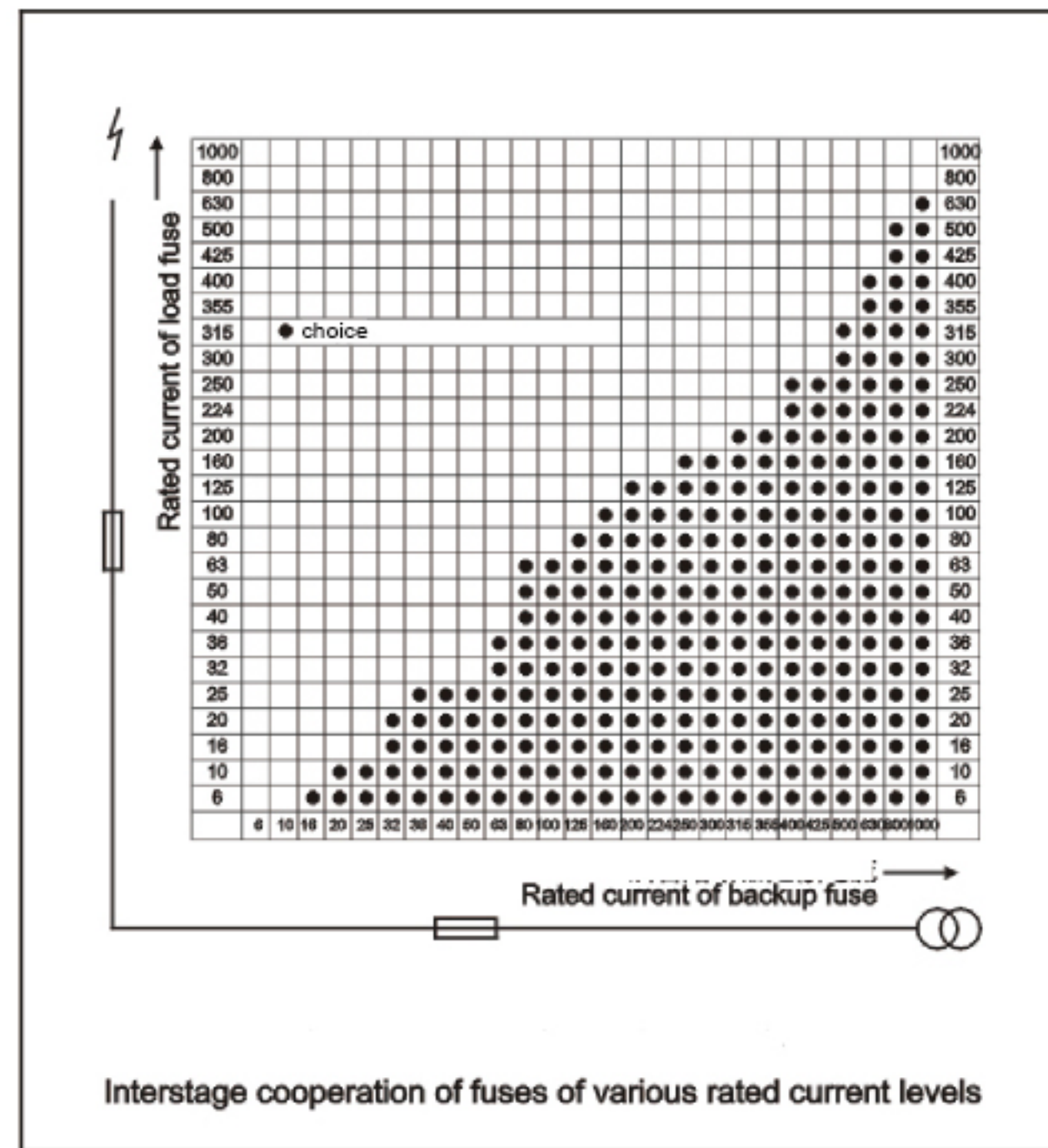
Cat. NO.	Model of fuse link				Rated voltage(v)	Rated current(A)	Weight (g)	See figure	Dimensions /sizes(mm)				
	The company		Domestic and similar products						A	B	C	D	H
	General (gG)	Quick speed (aR)	General (gG)	Quick speed (aR)									
0213	NH1S	—	—	—	500/660	32~250	447	1.8	135	67	20	40	64
0214	NH2S	—	—	—	500/660	80~400	727	1.8	150	68	30	54	74
0215	NH3S	—	—	—	500/660	160~630	975	1.8	150	68	36	70	88

Product photo and Dimension



Drawing 1.8

Characteristic Curve



4. Order Note

Following items should be marked when ordering	Ordering sample
Product name and model	To order EBS1TR thermal relay, rated current is 25A, setting current range is 18A, quantity is 1000 pieces, should be marked:
Rated current	Thermal relay EBS1TR-25/18 1000pcs
Setting current range	
Quantity	

