



Specifications and technical data are subject to change without notice.  
Please contact to confirm relevant information on ordering.

📍 No.18, Gutang Rd, Shanghai 201209, China  
 ☎️ +86 21 5032 0898  
 📠 +86 21 5032 0828  
 ✉️ info@ebasee.com  
 🌐 www.ebasee.com



Copy right reserved EBS.NO.2021001

**Ebasee**  
Smart Living Green Ebasee



**CONTROL ELECTRIC**



# COMPANY PROFILE

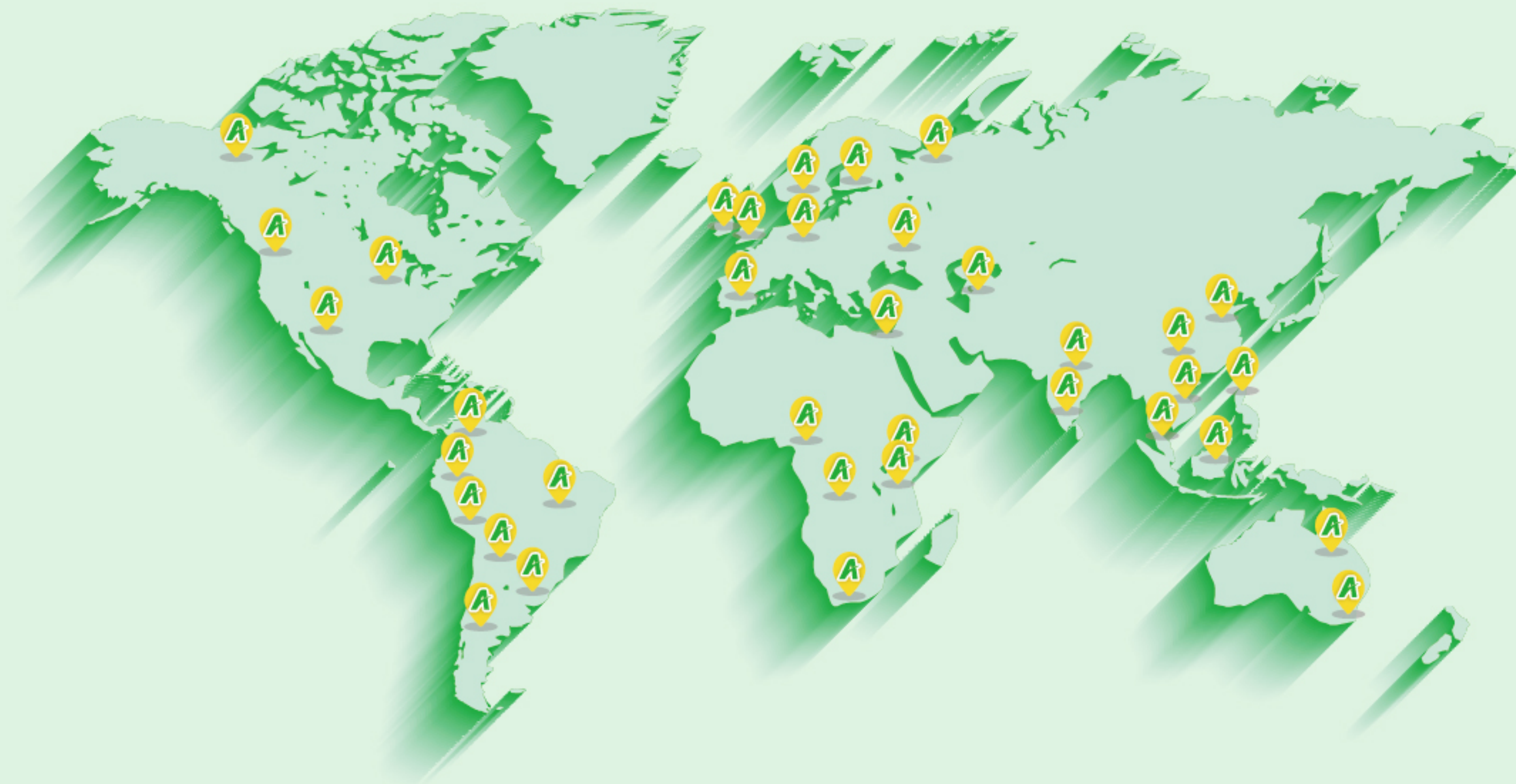
As a leading supplier in the low voltage electrics industry, Shanghai Ebasee Electric Co., Ltd. products have been used for residential, commercial and industrial applications with its quality and service. EBASEE brand is recognized for its quality and reliability in an ever-increasing number of markets worldwide. So far EBASEE products have been approved by international labs including BV, TUV, Intertek, with KEMA, CB, SEMKO, RoHS, CE, and CCC etc.

With qualified raw materials and components supply, all products are manufactured by EBASEE's defined international specifications. We have 4 semi-auto production lines, up-to-date quality control facilities, well-trained and experienced workers. Moreover, with a technical R & D team and fully equipped in-house laboratory, EBASEE factory can carry out efficient new products development, daily production and QC.

EBASEE have a wide range of cooperations with world leading companies in new products development, OEM and ODM cooperation. Meanwhile, we process the idea of green and smart energy, working with universities such as Xi'an Jiao Tong University to get more intelligent and environmental electric solutions.

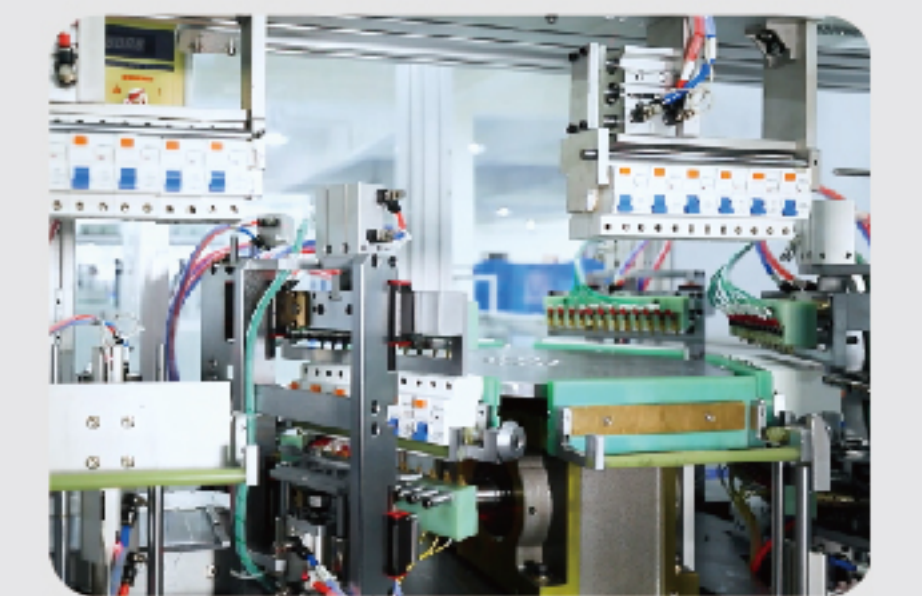
EBASEE focused on achieving growth through the success of worldwide partners. Guided by the philosophy of "market-oriented", powered by the idea of "Quick response and flexible supply", EBASEE support our worldwide partners to compete against established global players, to deliver the most systematic and cost-effective products and service in the market.

"Smart life, Green EBASEE"



Quality is our culture!

## PRODUCTION LINE

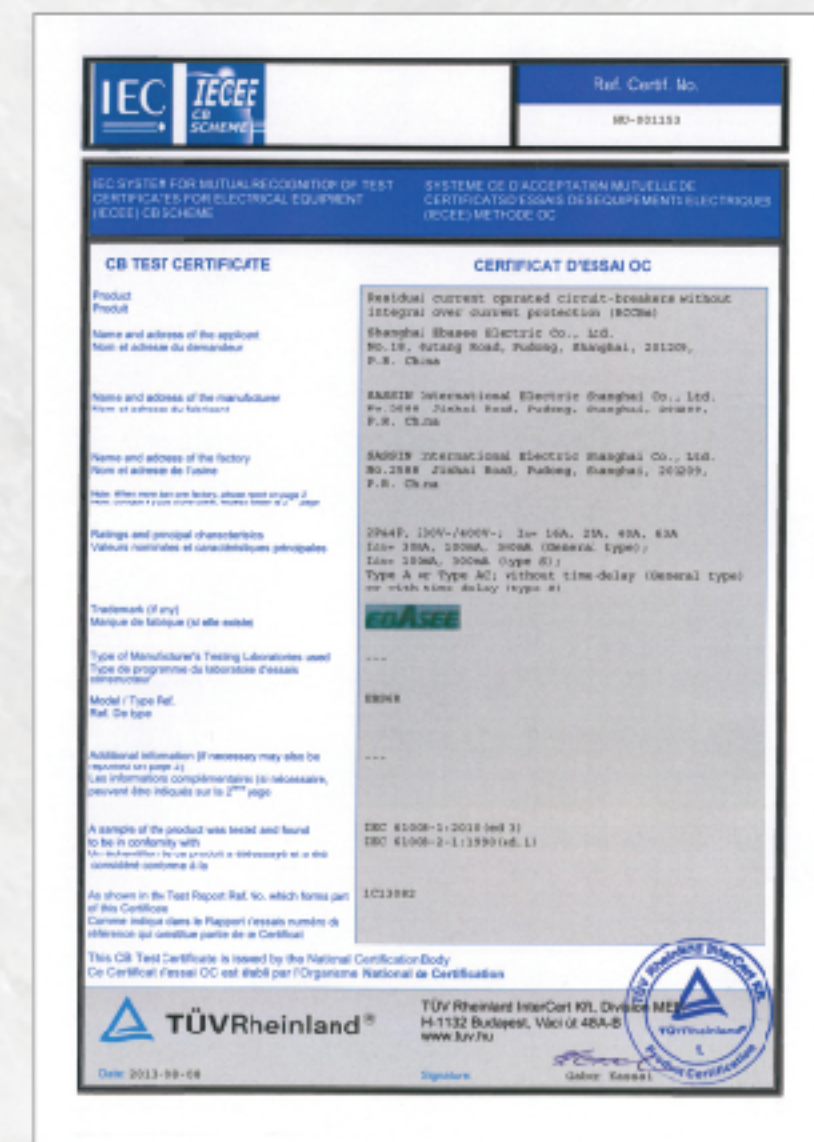
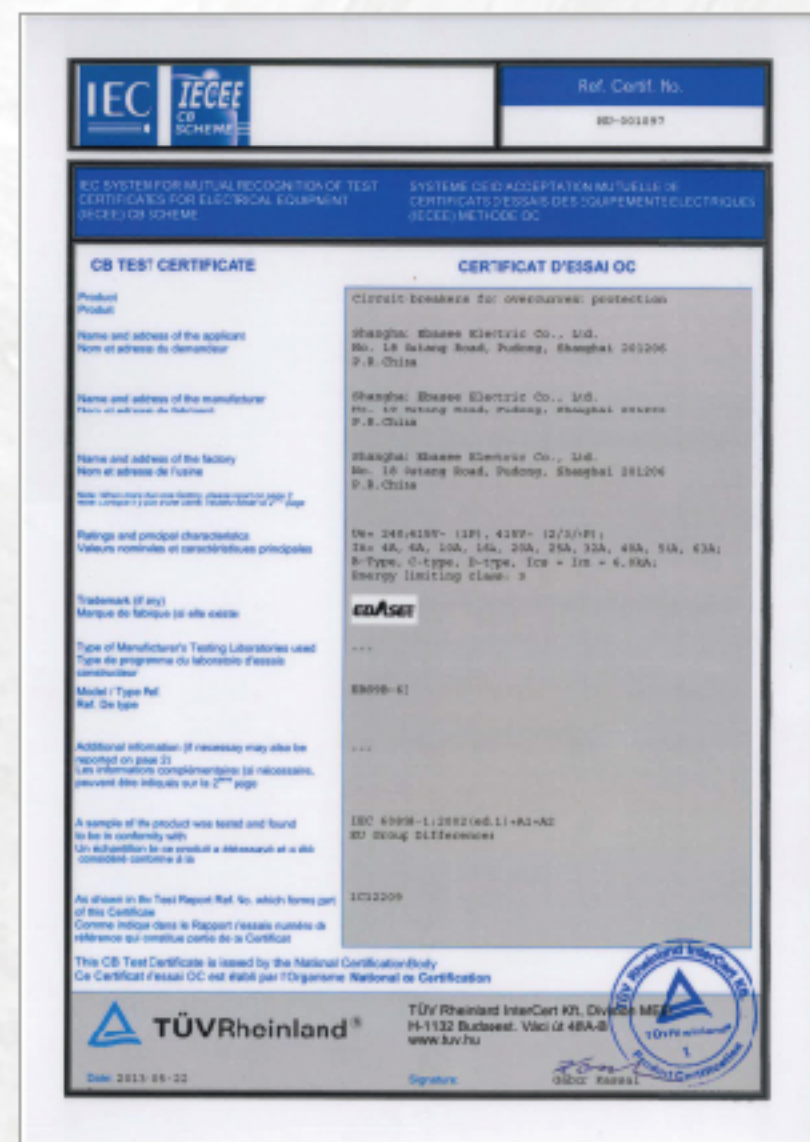
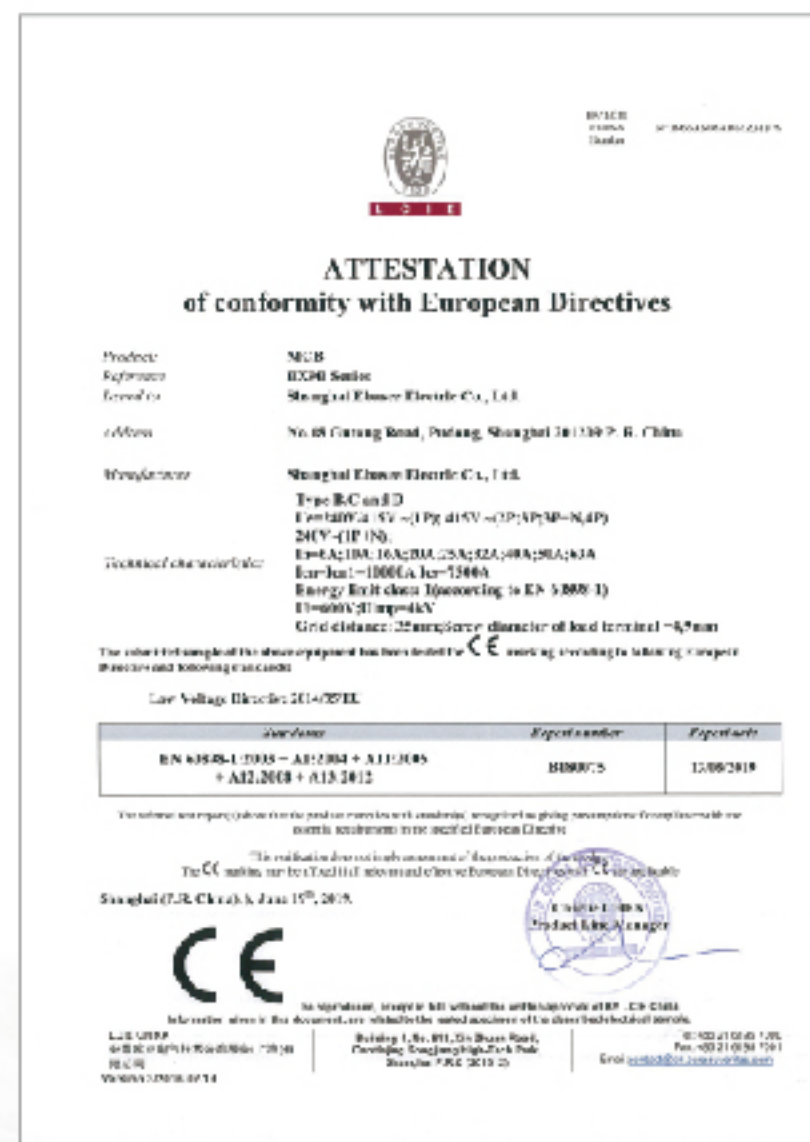


# SMART LIVING GREEN EBASEE



## INTERNATIONAL QUALITY CERTIFICATE

EBASEE products have been approved by international labs including BV, TUV, Intertek, with KEMA, CB, SEMKO, RoHS, CE, and CCC etc.



## 1.Function

**Specification:** Products front shape have roundness (ø18mm)、square (18x18mm)、rectangle (18x24mm)three specifications, including signal light、button、button with pilot light、rotary button、key button、emergency stop button、buzzer, installation apertureø16mm, part of products can be equipped with adjustable ring so that the product is installed in ø22mm installation.

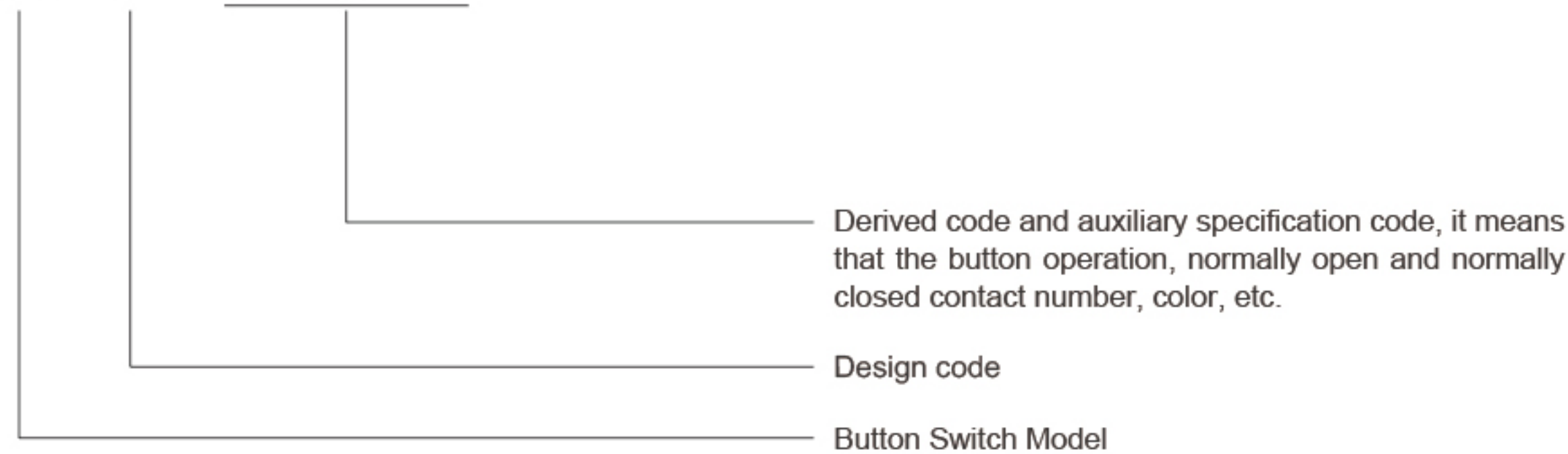
**Performance:** Products with stable performance, low contact resistance, high impact resistance, vibration resistance and other characteristics,conform with IEC60947-5-1, GB14048.5 standards.

**Structure:** Switching element "fast moving" structure, each switching element comprises a normally open a normally closed, each button can be configured with up to two switching elements.

**Protection grade:** Self-protection class IP40, IP65 optional, part of the product can be up to IP67 after the installation of the sealing.

## 2.Nomenclature

EBS E6A - 1 2 3 4



## 3.Specifications

### 3.1.Switch Rating

Thermal current I <sub>th</sub>	5A temperature does not exceed the maximum allowable current ratings		
Rated voltage	24V	125V(110V)	250V(220V)
DC	1A	0.2A	0.1A
AC	P.F=1	5A	3A
	P.F=0.7	5A	2A

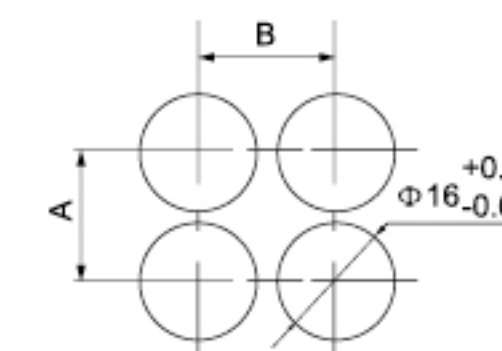
### 3.2.Lamp Specifications

Lamp beads type	bi-directional LED beads(General Configuration)			Neon bulb lamp beads	
Rated voltage	AC/DC 6V	AC/DC 12V	AC/DV 24V	AC110V	AC220V
	AC/DC 110V	AC/DC 220V			
Lamp beads color					
Lamp bead life					
Voltage limits	about 30000 hours			about 20000 hours	

## 3.3.Performance Characteristics

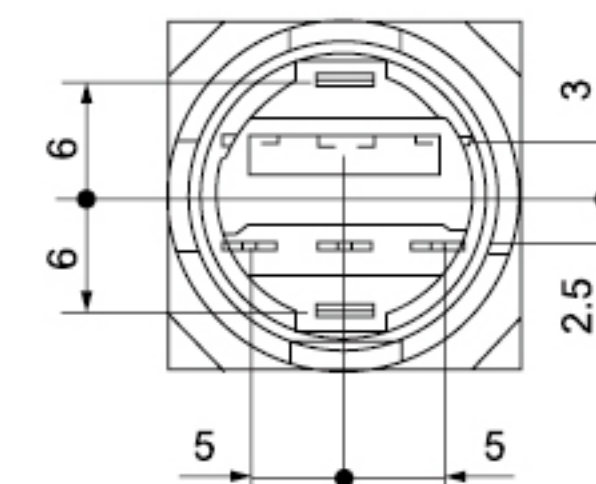
Type	Standard	IEC/EN 61009-1
Ambient Temperature	Ambient Temperature	-+55°C (no freezing)
	Ambient humidity	45-85%RH (No condensation)
	Contact material	Silver alloy
	Contact resistance	≤50MΩ
	Insulation resistance	≥100MΩ
aximum voltage	Between the contacts and the lamp beads pin	2000V,AC50HZ,1min
	Between same terminal of poles	1000V,AC50HZ,1min
	Between different terminal of poles	2000V,AC50HZ,1min
Life	Vibration resistance	50HZ,amplitude about1.2mm
	Impact resistance	≥10g
machinery	automatic reset button	1million times
	automatic reset button、select button	500,000 times
	key button、emergency stop	100,000times
	electrical	50,000times
	Solder heat resistance	230 is not more than 3 seconds
Operating stroke	(button) 3mm	

## 3.4.Mounting Dimension

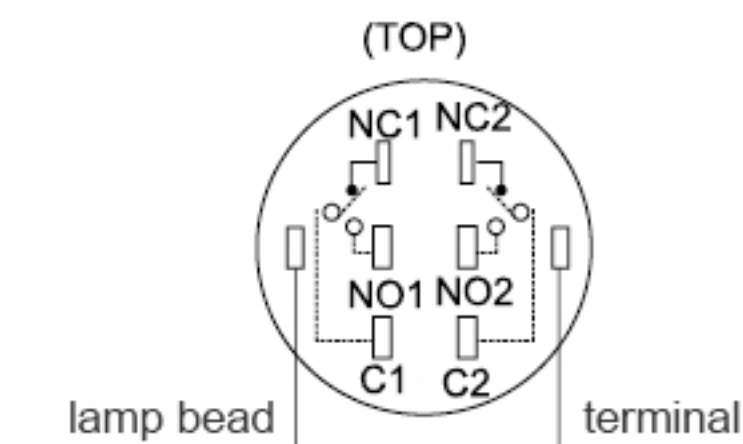


Type	A	B
roundness	≥18mm	≥18mm
	≥18mm	≥18mm
rectangle	≥18mm	≥24mm
	≥24mm	≥24mm
large square	≥24mm	≥24mm
large rectangle	≥18mm	≥24mm

## 3.5.Bottom Preview



## 3.6.Terminal Arrangement



## 4.Product list

### Push-button Switch $\phi 16$ mm

Elucidation		Reference	color	Action type	Remarks		
	signal light	roundness		indicator light			
		square		EBSE6A-FXD		indicator light	
		rectangle		EBSE6A-JXD		indicator light	
	Normal Buttons	roundness	Black Green Red Yellow Blue White	EBSE6A-11	automatic reset	Red, green, yellow, blue, white can be illuminated, all using LED light emitting diode	
				EBSE6A-22	automatic reset		
				EBSE6A-11F	automatic reset		
		square		EBSE6A-22F	automatic reset		
				EBSE6A-11J	automatic reset		
				EBSE6A-22J	automatic reset		
		Self-locking button		roundness	EBSE6A-11T		Self-locking
					EBSE6A-22T		Self-locking
				square	EBSE6A-11TF		Self-locking
EBSE6A-22TF	Self-locking						
rectangle	EBSE6A-11TJ		Self-locking				
	EBSE6A-22TJ		Self-locking				
	Rotary button	Roundness second position	Black Green Red	∨			
		Square second position		EBSE6A-11FX/2		∨	
		rectangle second position		EBSE6A-11JX/2		∨	
		Roundness three position		EBSE6A-22X/3		∨	
		Square three position		EBSE6A-22FX/3		∨	
		rectangle three position		EBSE6A-22JX/3		∨	
	Button mushrooms	Normally mushroom button $\phi 16$	Green Red Yellow Blue	EBSE6A-11M	automatic reset	Red, green, yellow, blue, white can be illuminated, all using LED light emitting diode	
				EBSE6A-22M	automatic reset		
		self-locking mushroom button $\phi 16$		EBSE6A-11MT	Self-locking		
				EBSE6A-22MT	Self-locking		
		Mushroom push button with light $\phi 16$		EBSE6A-11MD	Spring type		
				EBSE6A-22MD	Spring type		

### Push-button Switch $\phi 16$ mm

Elucidation		Reference	color	Action type	Remarks	
	roundness key button $\phi 16$	two positions		∨	It provides two key, all the keys are universal, protection IP40	
		two positions		EBSE6A-22Y/2		∨
		three positions		EBSE6A-22Y/3		∨
	square key button $\phi 16$	two positions	Black	∨		
		two positions		EBSE6A-11FY/2		∨
		three positions		EBSE6A-22FY/3		∨
	rectangle key button $\phi 16$	two positions		∨		
		two positions		EBSE6A-11JY/2		∨
		three positions		EBSE6A-22JY/3		∨
	Emergency button $\phi 16$	EBSE6A-11ZS	Green	Self-locking	Red, green, can be illuminated, all using LED light emitting diode	
		EBSE6A-22ZS	Red	Self-locking		
	Buzzer $\phi 16$	EBSE6A-Y-B	Black		$\leq 24V$	
		EBSE6-F-B				
		EBSE6-J-B				