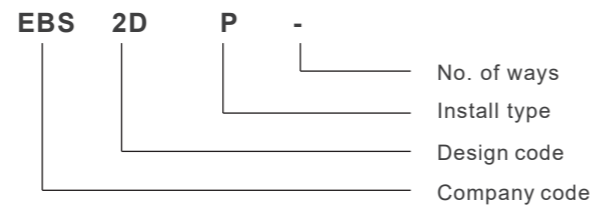


1.Function

EBS2DP series box is divided into two kinds, flush mounted type and surface mounted type.
It is with plastic and iron bottom/plastic bottom. Two terminals(ground connection and zero connection) in the box are easy for the user wiring and routing. This product is applicable to the modular terminal circuit with AC of 50Hz, rated voltage of 220V and 380V.



2.Nomenclature



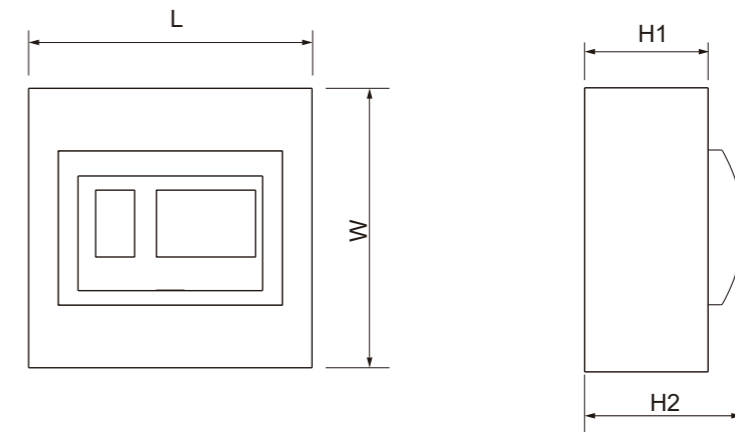
3.Features

- Design of super-large and clear luminous bars,soft and elegant outline.
- Humanized circuitry symbols,printed display of control circuit breaker,clear and elegant.
- The cover can be with indicator or without indicator

4.Surface mounted specification

Model	Dimensions			
	L(mm)	W(mm)	H1(mm)	H2(mm)
EBS2DP-4	180	210	75	100
EBS2DP-6	218	210	75	100
EBS2DP-8	253	210	75	100
EBS2DP-10	268	210	75	100
EBS2DP-12	330	210	75	100
EBS2DP-14	343	210	75	100

5.Dimensions



6.Order Note

Following items should be marked when ordering	Ordering sample
Product name, model & Installation type	To order the EBS2DP series Distribution Box, full installation type,
Number of ways & Color of the ways	4 ways, transparent door, with light, metal bottom, and quantity is
With or without light, Material of bottom	1000 pieces, should be marked:
Quantity	EBS2DP-4, 1000pcs.