



Specifications and technical data are subject to change without notice.
Please contact to confirm relevant information on ordering.

📍 No.18, Gutang Rd, Shanghai 201209, China
 ☎️ +86 21 5032 0898
 📠 +86 21 5032 0828
 ✉️ info@ebasee.com
 🌐 www.ebasee.com



Copy right reserved EBS.NO.2021001

Ebasee
Smart Living Green Ebasee



CONTROL ELECTRIC



COMPANY PROFILE

As a leading supplier in the low voltage electrics industry, Shanghai Ebasee Electric Co., Ltd. products have been used for residential, commercial and industrial applications with its quality and service. EBASEE brand is recognized for its quality and reliability in an ever-increasing number of markets worldwide. So far EBASEE products have been approved by international labs including BV, TUV, Intertek, with KEMA, CB, SEMKO, RoHS, CE, and CCC etc.

With qualified raw materials and components supply, all products are manufactured by EBASEE's defined international specifications. We have 4 semi-auto production lines, up-to-date quality control facilities, well-trained and experienced workers. Moreover, with a technical R & D team and fully equipped in-house laboratory, EBASEE factory can carry out efficient new products development, daily production and QC.

EBASEE have a wide range of cooperations with world leading companies in new products development, OEM and ODM cooperation. Meanwhile, we process the idea of green and smart energy, working with universities such as Xi'an Jiao Tong University to get more intelligent and environmental electric solutions.

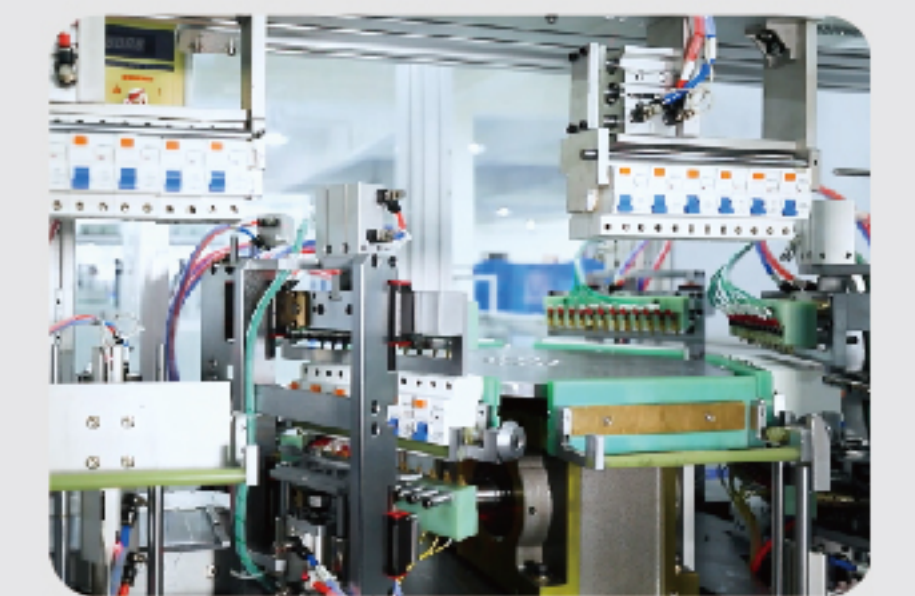
EBASEE focused on achieving growth through the success of worldwide partners. Guided by the philosophy of "market-oriented", powered by the idea of "Quick response and flexible supply", EBASEE support our worldwide partners to compete against established global players, to deliver the most systematic and cost-effective products and service in the market.

"Smart life, Green EBASEE"



Quality is our culture!

PRODUCTION LINE

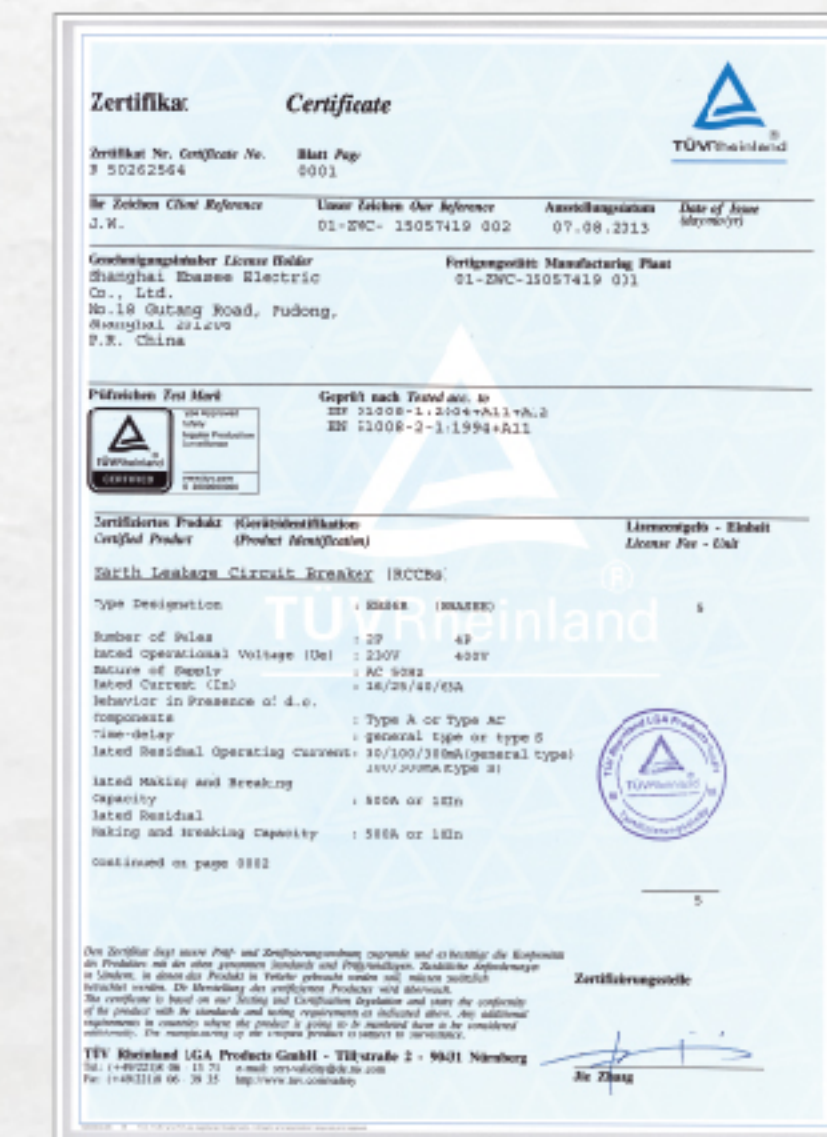
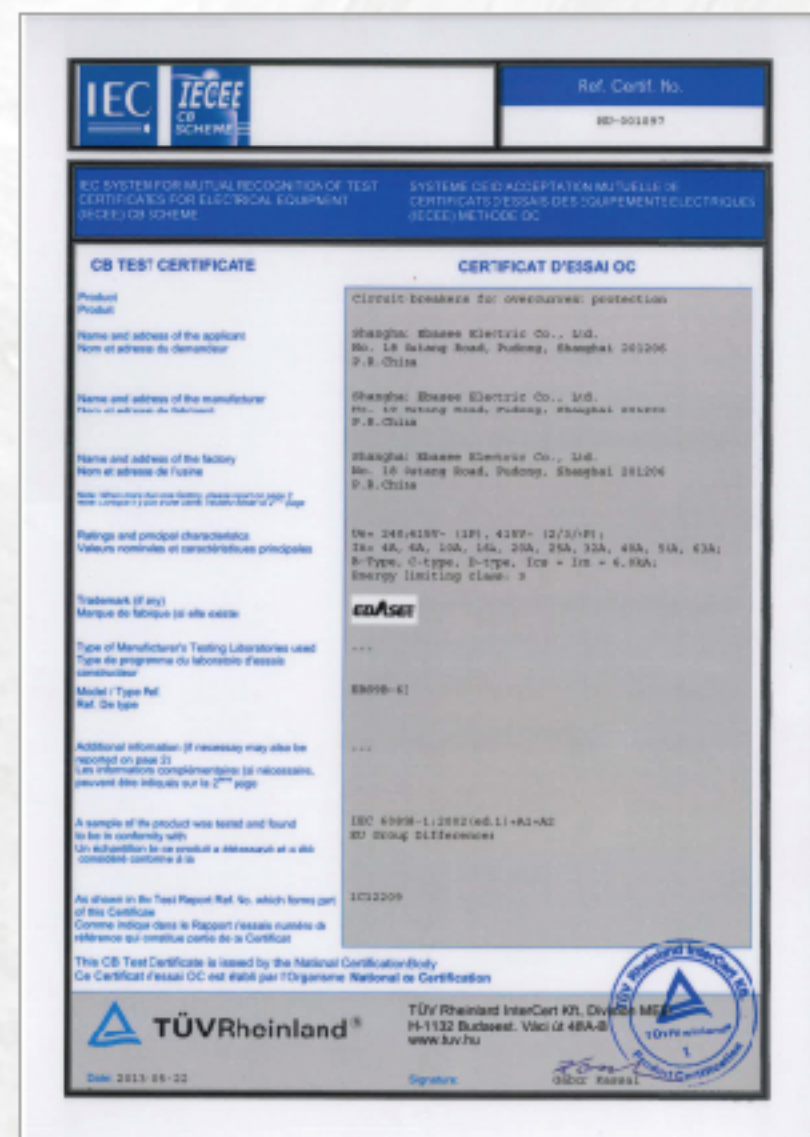


SMART LIVING GREEN EBASEE



INTERNATIONAL QUALITY CERTIFICATE

EBASEE products have been approved by international labs including BV, TUV, Intertek, with KEMA, CB, SEMKO, RoHS, CE, and CCC etc.



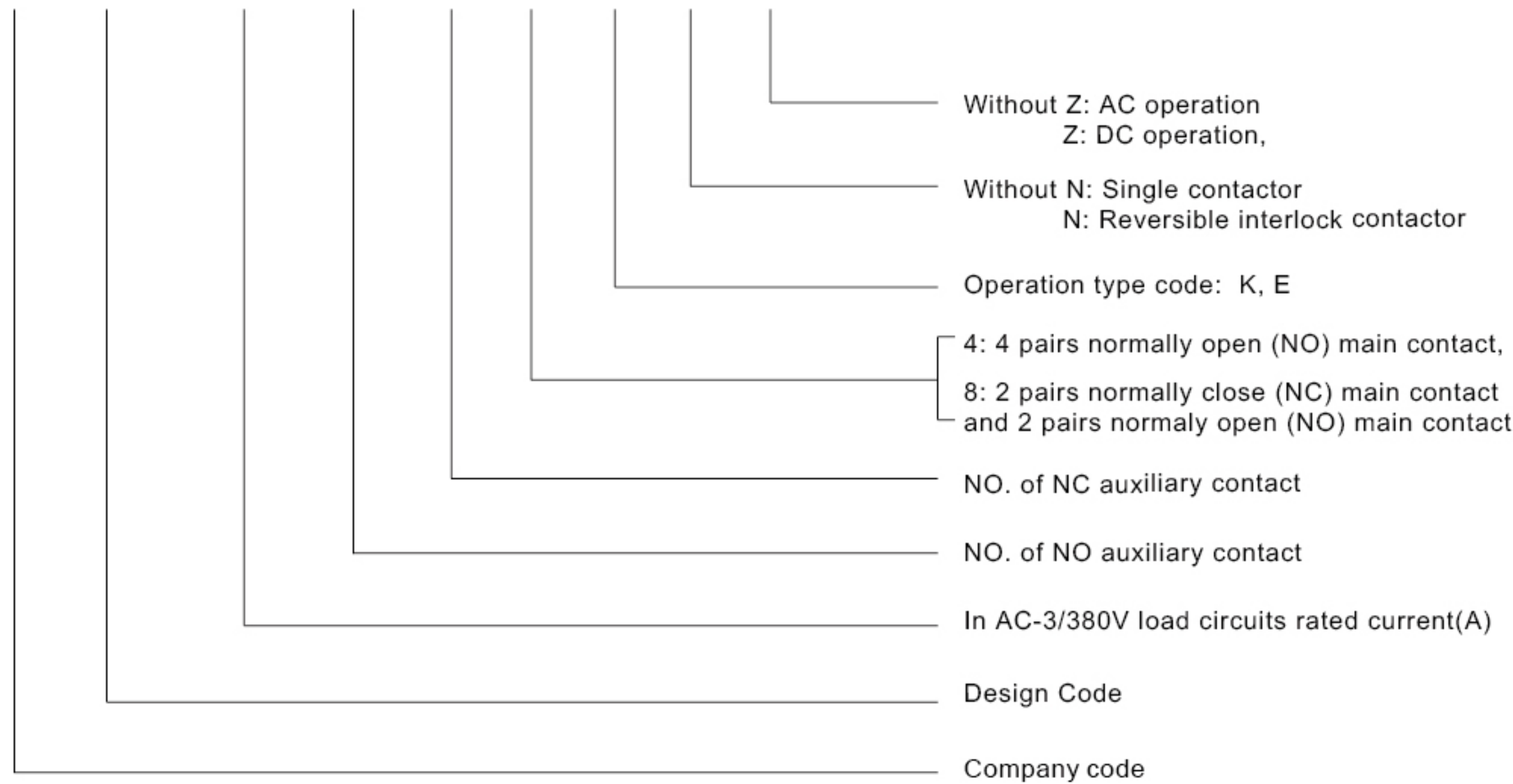
1.General

EBS1C-K/E series AC contactor is suitable for using in the circuits up to rated voltage 660V, AC 50Hz or 60Hz, DC rated voltage 220V and rated current 12A in AC-3/380V load circuits, for remote control of circuit making and breaking. Combined with related type of thermal relay or electronic protector, it becomes the electromagnetic starter or mechanical interlocking starter.



2.Nomenclature

EBS 1C - 09 / 0 0 4 K N Z



Note

- (1) The contactor main technology property index, refer to the following form.
 - (2) The coil voltage of the contactor are AC 24V, 36V, 48V, 110V, 220V, 380V and DC 12V, 24V, 48V, 110V, 220V.
- NOTE: please contact us for other coil voltage.
- (3) Operating characteristic: AC pull-in voltage: 85%-110%Us, release voltage: 20%-75%Us, DC pick-up voltage: 85%-110%Us, release voltage: 10%-75%Us.

3.Specifications

Parameter		Model	EBS1C-06K	EBS1C-09K	EBS1C-12K	EBS1C-06E	EBS1C-09E
Rated voltage(V)			660(690)				
Rated current(A)	380V	AC-3	6	9	12	6	9
		AC-4	2.6	3.5	5	2.6	3.5
Agreed thermal current(A)			20	20	20	16	16
Max. making- current(A)	380V		60	90	120	60	90
	660V		72	108	144	72	108
Max. breaking-current(A)	380V		48	72	96	48	72
	660V		60	90	120	60	90
Controllable 3-phase squirrel- cage motor power AC3 (kW)	220V		1.5	2.2	3	1.5	2.2
	380V		2.2	4	5.5	2.2	4
	660V		3	5.5	7.5	3	5.5
Operation frequency (times/h)	Electrical life	AC-3	1200				
		AC-4	300				
Electrical life (10 ⁴ times)		AC-3	100				
		AC-4	20				
Mechanical life(10 ⁴ times)			1000				
AC coil consumed power(W)			2				
DC coil consumed power(W)			4				
Wire (mm ²)			1.5				
Suitable fuse			NTOO-16				
Standard			IEC60947-4				

Contactor Auxiliary Contact and Auxiliary Contact Block

Type	Rated voltage(V)	Rated current(A)	Controlling capacity		Agreed thermal current A	Service life
			Making	Breaking		
AC-15	380	0.95	360VA	360VA	10	Same as main contact
DC-13	220	0.15	33W	33W		

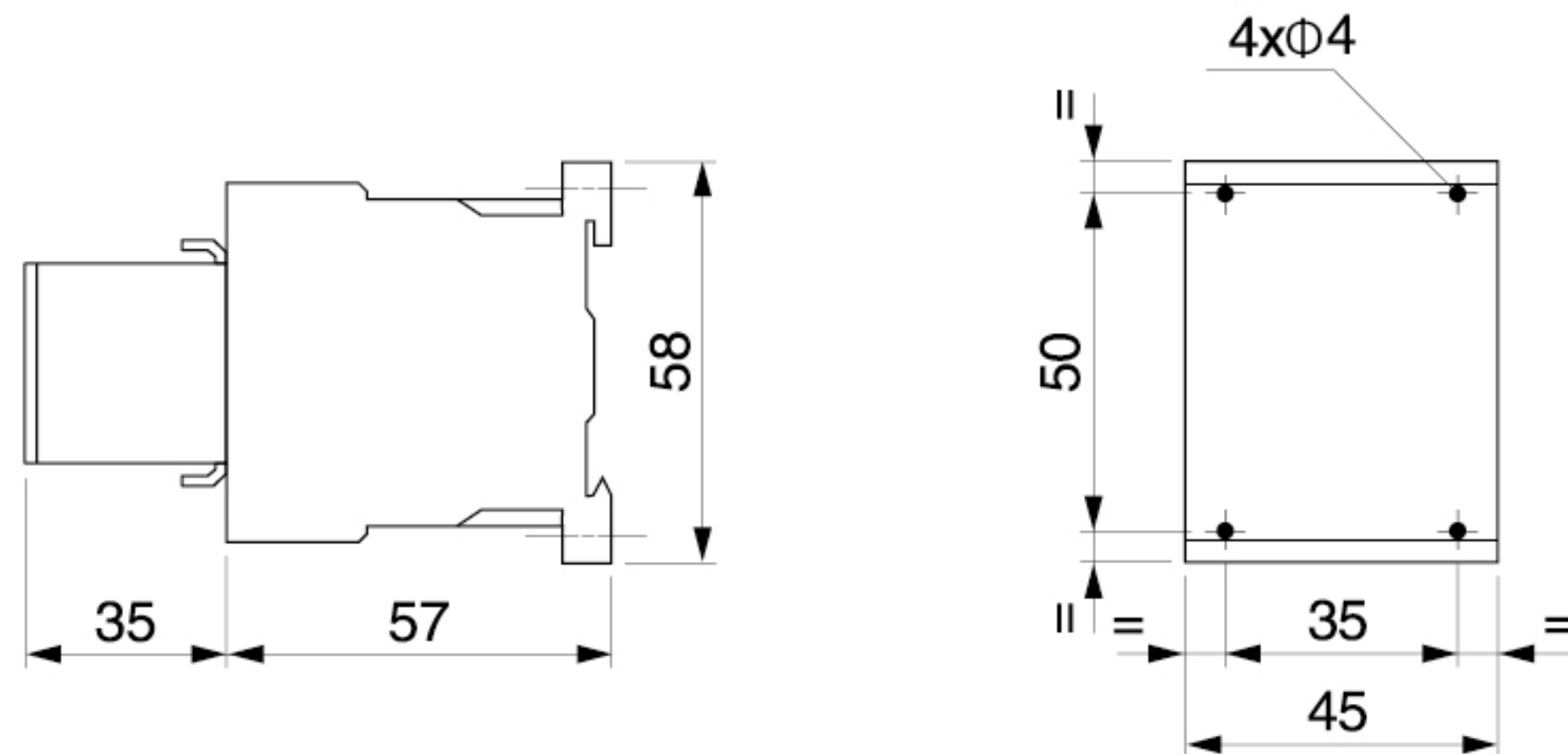
4.Application

- Ambient temperature: the upper limit shall not exceed +40° C ; the lower limit shall be not less than -5° C ; the average value within 24 hours shall not exceed +35° C .
- Altitude: installation altitude shall not exceed 2000m.
- Atmosphere condition: relative humidity shall not exceed 50% when ambient temperature is +40° C . Higher relative humidity is permissible at lower temperature. The average temperature shall not exceed +25° C in the most humid month when the relative humidity shall not exceed 90%. Please consider the dew with the change of temperature.
- Anti-pollution degree: III
- Installation category: III
- Installation conditions: slant of contactor mounting surface shall not exceed ±5°.
- Shock: contactor can be installed and used in the place where with no notable shock, shake and impact.

5. Installation

- This product is made by full plastic snap fit structure and takes advantage of the elasticity of the plastic itself. It saves work and time and material as does not need the screw and special tool to mount or dismount.
- This product is horizontal moving mode with the feature of good moving reliability, flexible structure, compact design, external foreign matter and dust proof. It has a cover on the move part terminal for preventing from human finger touching, ensuring safe using and according with related electronic safe standard. The product is small volume which is convenient for mounting and dismounting by screw installation or 35mm din rail for installation.
- The contact of product is double break-bridging structure and is made of silver base alloy. It has following feature: good capability of electric conductivity, contact abrasion resistance, long service life. Arc extinguish chamber is close end type which is made by fire retardant material and could avoiding arc splashing to ensure human and near equipment safety.
- The magnetic system of the product is E-shape iron core which is good reliability, low consumption and low noisy. It has high mechanical strength. The terminal coil A1 and A2 are with very clear specification and convenient for wire connection.
- Modularity and building block system of auxiliary contact could assemble flexibly.

6. Dimensions



7. Order Note

Following items should be marked when ordering	Ordering sample
Product name, model & rated current	To order EBS1C-K/E AC Contactor, rated current 9A, No. of NO auxiliary contact is 1, NO. of NC auxiliary is 0, operation type is E,
NO. of NO/NC auxiliary contact, Operation type code	without reversible interlock; the type of coil voltage is AC, quantity is
Whether need reversible interlock	1000 pieces, should be marked:
Type of the coil voltage	AC contactor EBS1C-0910E 1000 pcs.
Quantity	