



Specifications and technical data are subject to change without notice.  
Please contact to confirm relevant information on ordering.

📍 No.18, Gutang Rd, Shanghai 201209, China  
 ☎️ +86 21 5032 0898  
 📠 +86 21 5032 0828  
 ✉️ info@ebasee.com  
 🌐 www.ebasee.com



Copy right reserved EBS.NO.2021001

**Ebasee**  
Smart Living Green Ebasee



**CIRCUIT BREAKER**



# COMPANY PROFILE

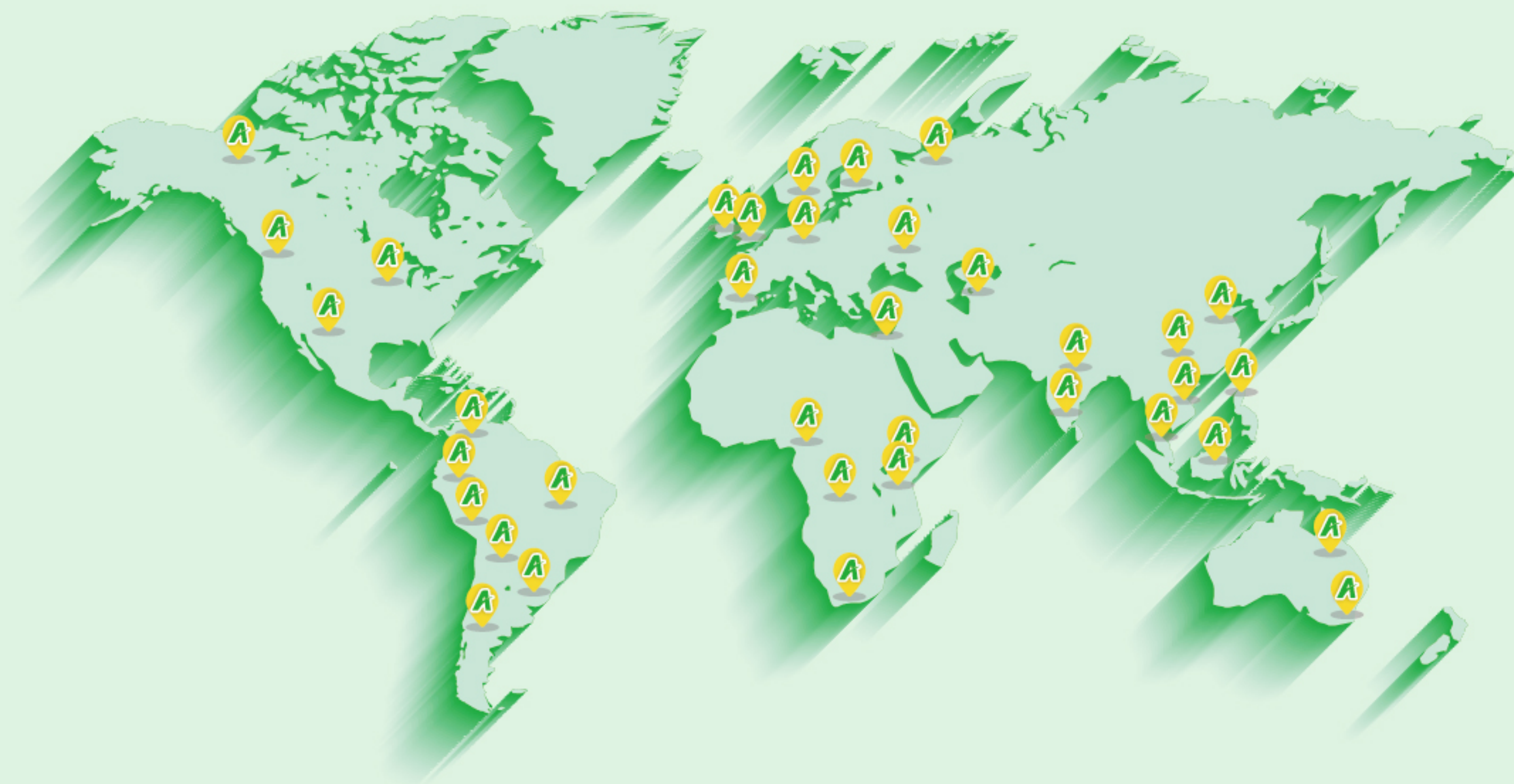
As a leading supplier in the low voltage electrics industry, Shanghai Ebasee Electric Co., Ltd. products have been used for residential, commercial and industrial applications with its quality and service. EBASEE brand is recognized for its quality and reliability in an ever-increasing number of markets worldwide. So far EBASEE products have been approved by international labs including BV, TUV, Intertek, with KEMA, CB, SEMKO, RoHS, CE, and CCC etc.

With qualified raw materials and components supply, all products are manufactured by EBASEE's defined international specifications. We have 4 semi-auto production lines, up-to-date quality control facilities, well-trained and experienced workers. Moreover, with a technical R & D team and fully equipped in-house laboratory, EBASEE factory can carry out efficient new products development, daily production and QC.

EBASEE have a wide range of cooperations with world leading companies in new products development, OEM and ODM cooperation. Meanwhile, we process the idea of green and smart energy, working with universities such as Xi'an Jiao Tong University to get more intelligent and environmental electric solutions.

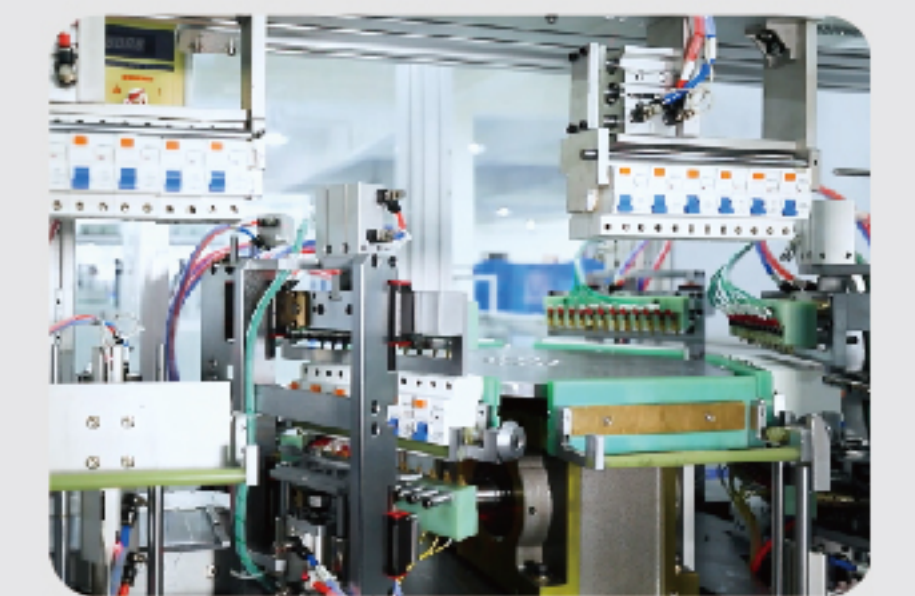
EBASEE focused on achieving growth through the success of worldwide partners. Guided by the philosophy of "market-oriented", powered by the idea of "Quick response and flexible supply", EBASEE support our worldwide partners to compete against established global players, to deliver the most systematic and cost-effective products and service in the market.

"Smart life, Green EBASEE"



Quality is our culture!

## PRODUCTION LINE

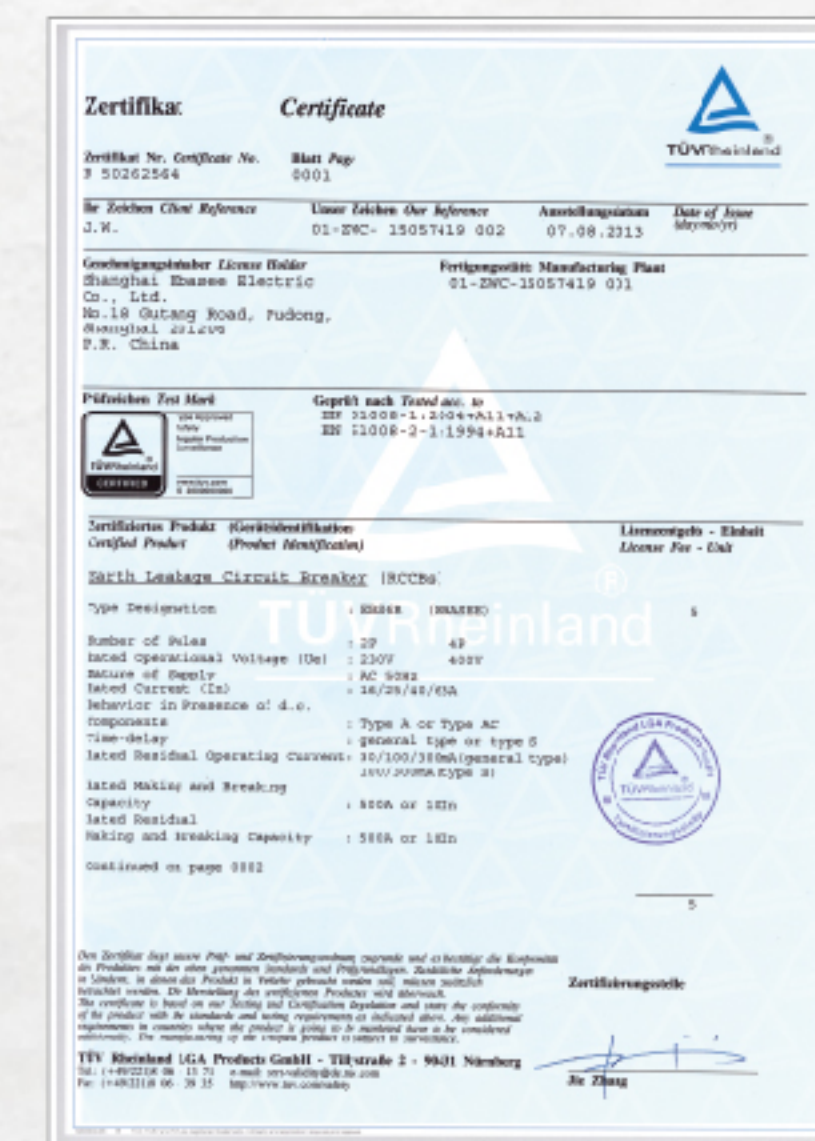
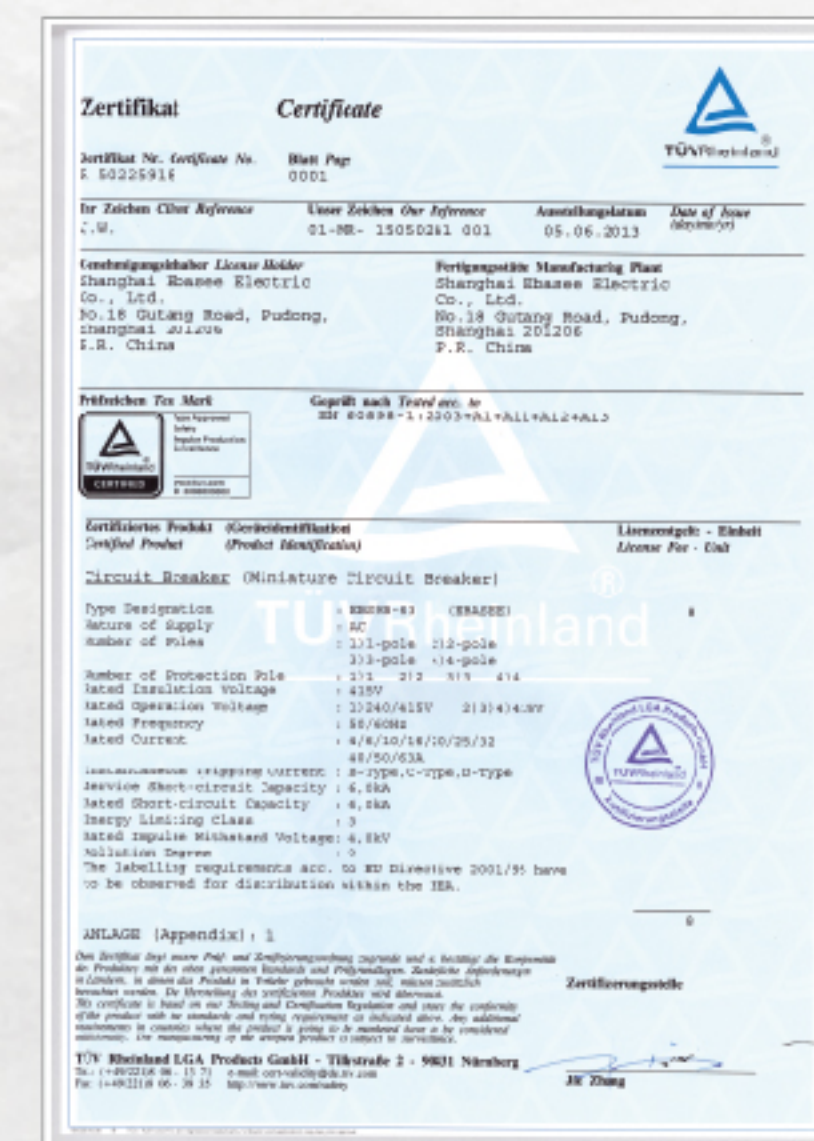
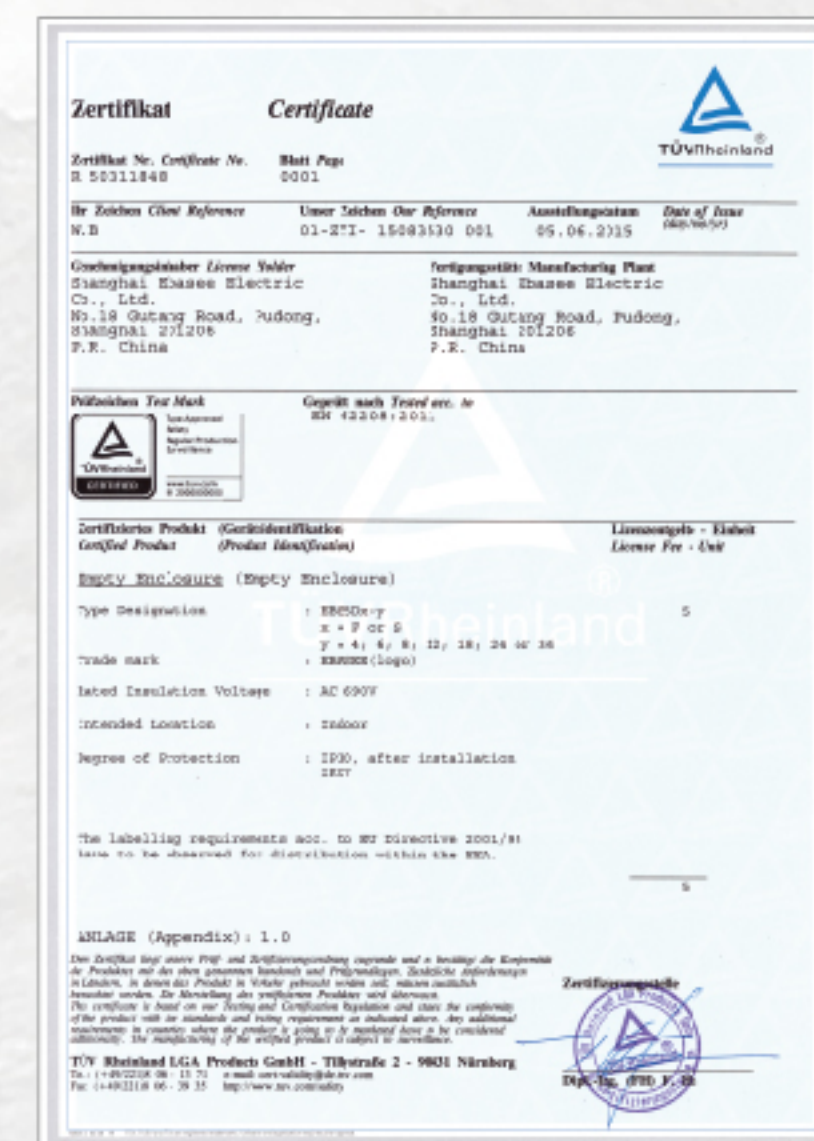
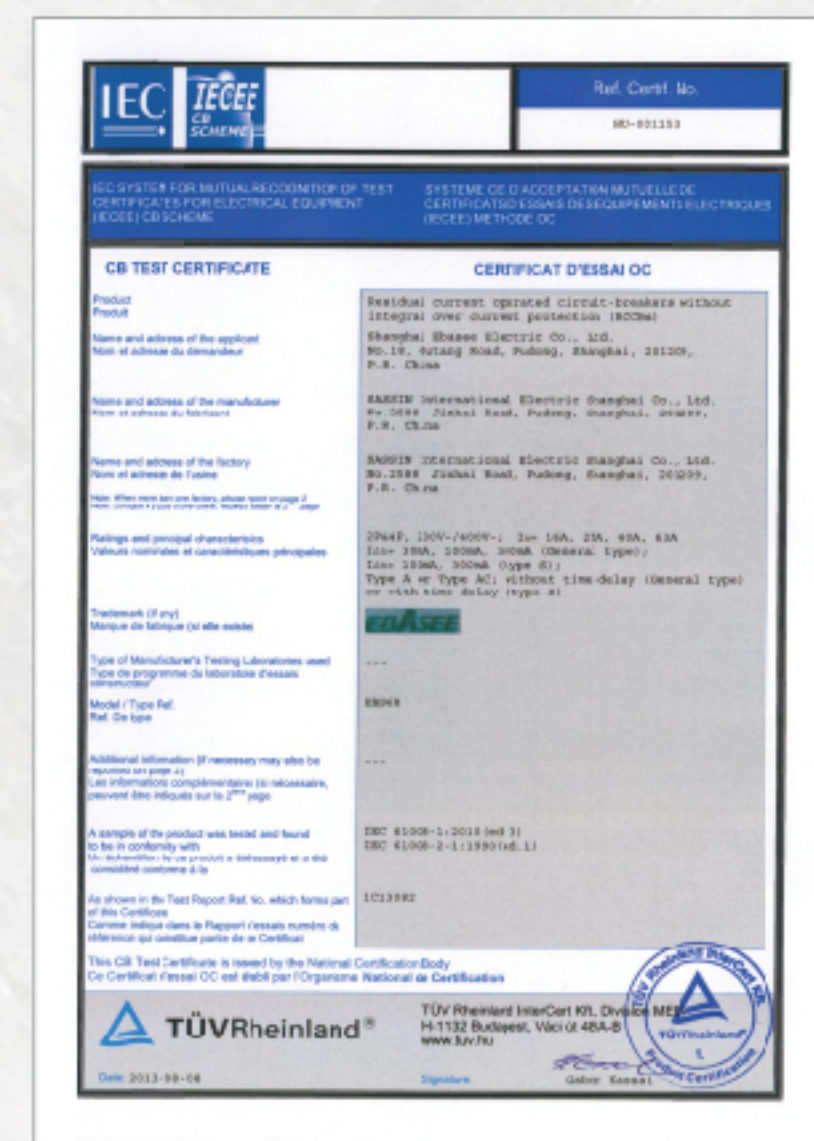
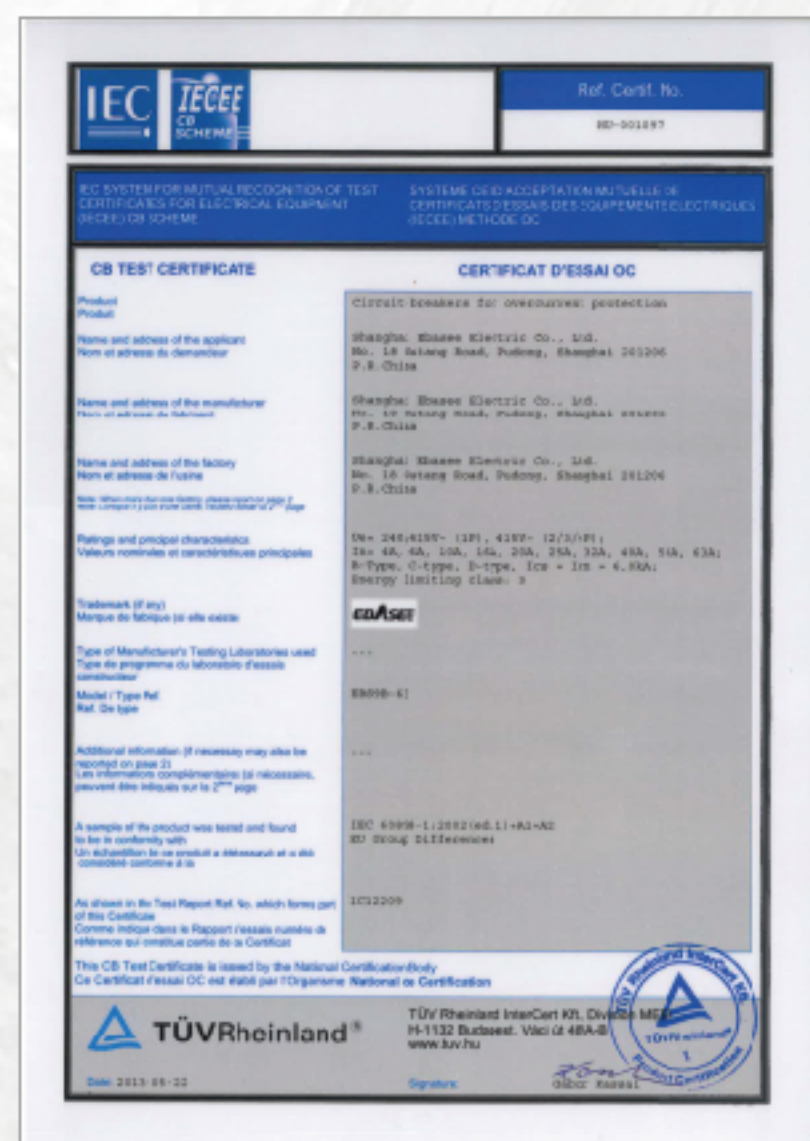
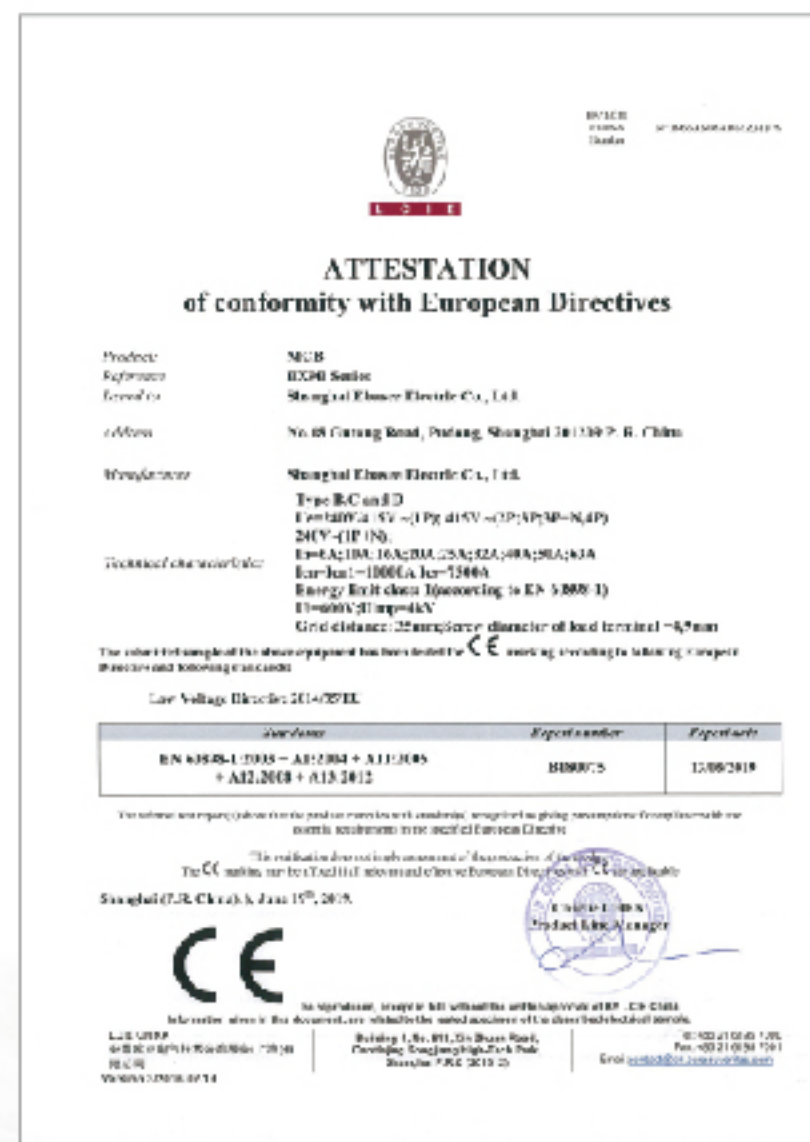


# SMART LIVING GREEN EBASEE



## INTERNATIONAL QUALITY CERTIFICATE

EBASEE products have been approved by international labs including BV, TUV, Intertek, with KEMA, CB, SEMKO, RoHS, CE, and CCC etc.

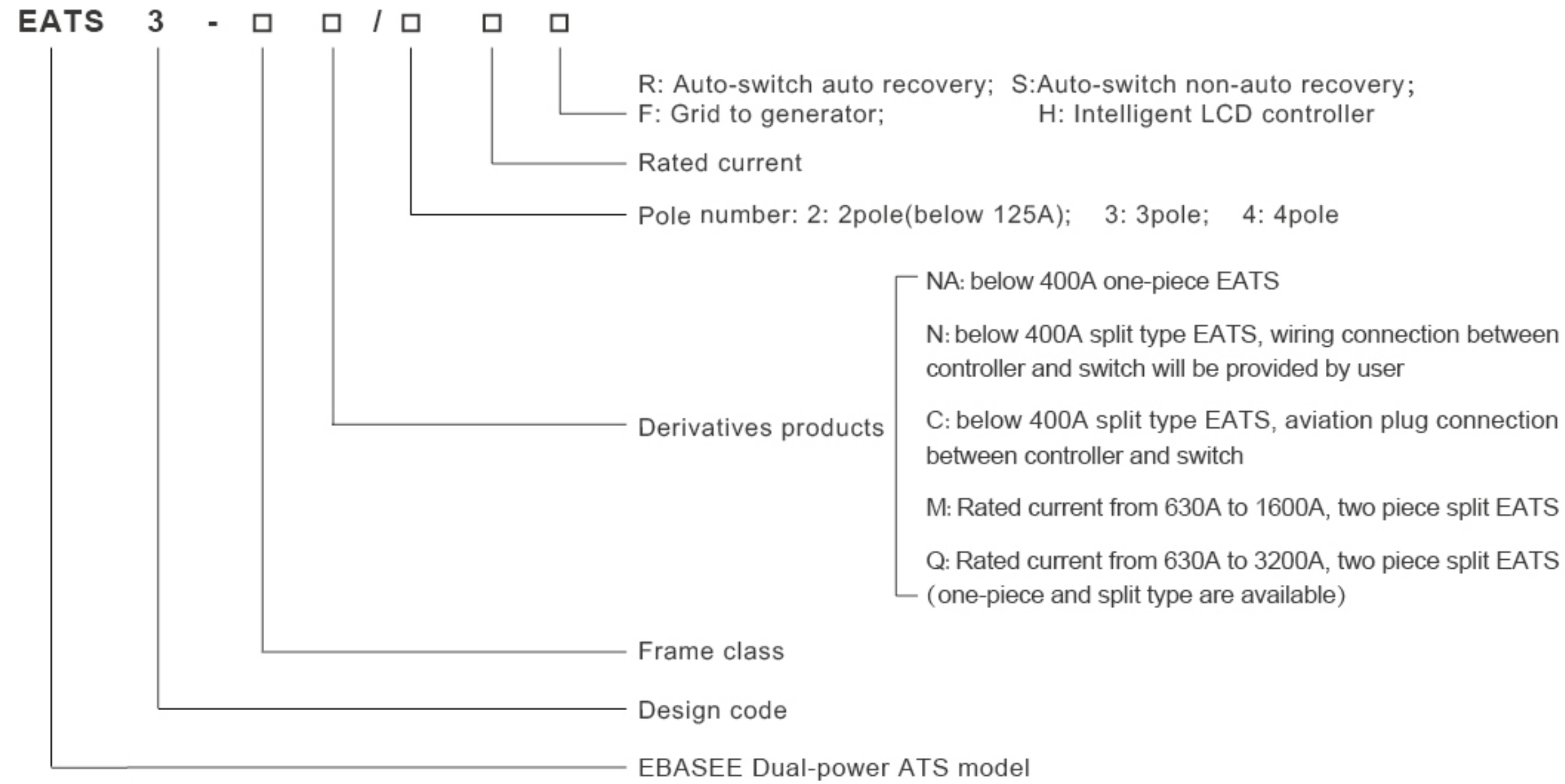


### 1.General

EATS3 series automatic transfer switch is suitable for the rated voltage 240/415V AC 50/60Hz frequency, emergency power supply system. One source power failure, automatically transfer between power supply and backup power source, no need manual operating, ensure the power supply reliability of important user. Mainly used in hospitals, shopping mall, Bank, chemical industry, metallurgy, high-rise building, military facility and fire protection, etc. Some important places where do not allow power off.



### 2.Nomenclature



#### Note

EATS3 series EATS consists of ontology and switch controller of two parts. Products use the electromagnetic drive, switching controller work power; standby power supply is used to exchange 220V voltage, without additional control power supply. Ontology switch has the function of electrical or mechanical closing instructions used as a isolation indicator

### 3.Characteristics

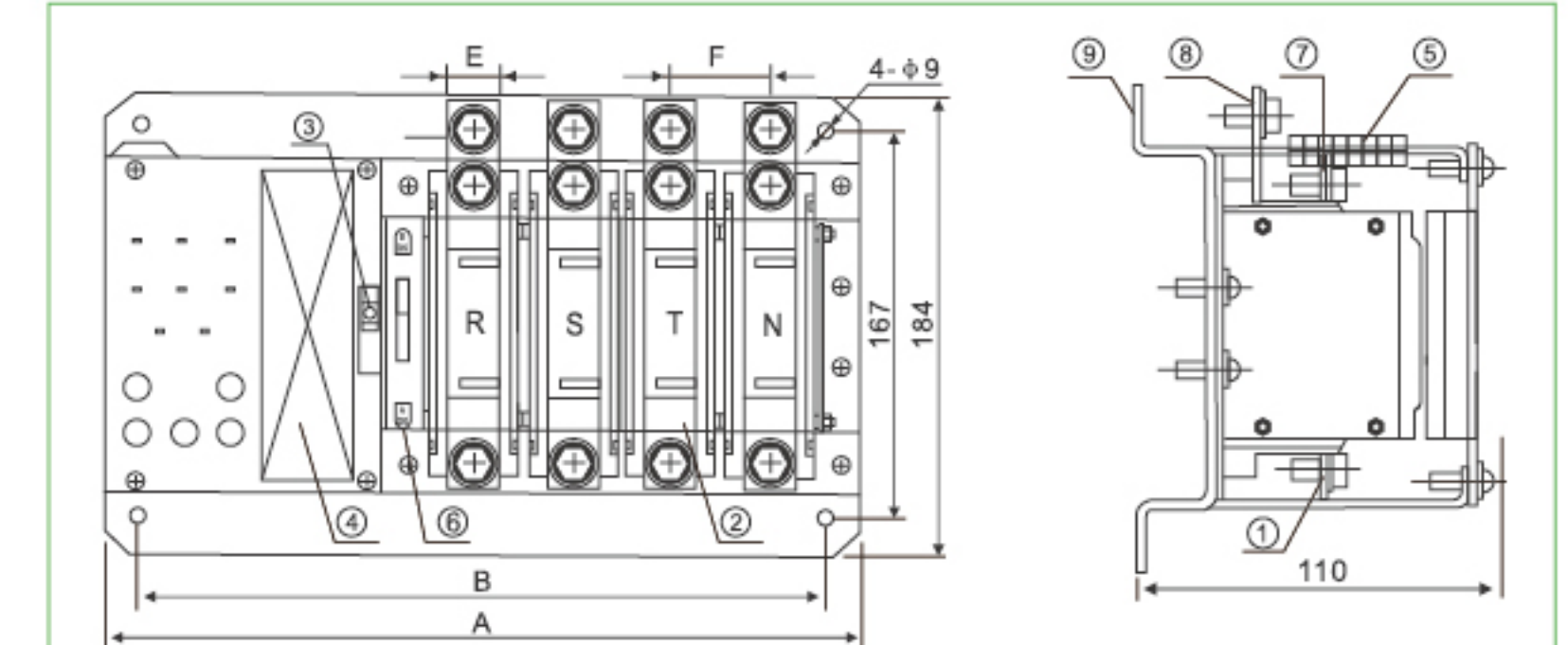
- >EATS3 series automatic transfer switch is EBASEE independent developed products, comply with IEC 60947-6-1 standard;
- >Small volume, convenient installation.
- >Mode of auto switch auto recovery, auto switch non-auto recovery, can be selected freely, with automatic and manual two models.
- >Under voltage over voltage protection, open-phase protection ,complete function
- >There are one-piece,split two types for users to choose
- >2 pole,3 pole,4 pole,complete specifications
- >Operating parameter adjustable
- >Rated voltage 400V, rated current 10A~3200A

### 4.Specifications

#### 4.1 [NA] Type EATS(Integrated two sections)



[NA] type EATS dimension drawing



- 1.Loading bus line
- 2.Power source module
- 3.Debug handle
- 4.Label
- 5.Terminal
- 6.Mechanical indicator of power source changeover
- 7.Main power bus line
- 8.Back up bus line
- 9.Base

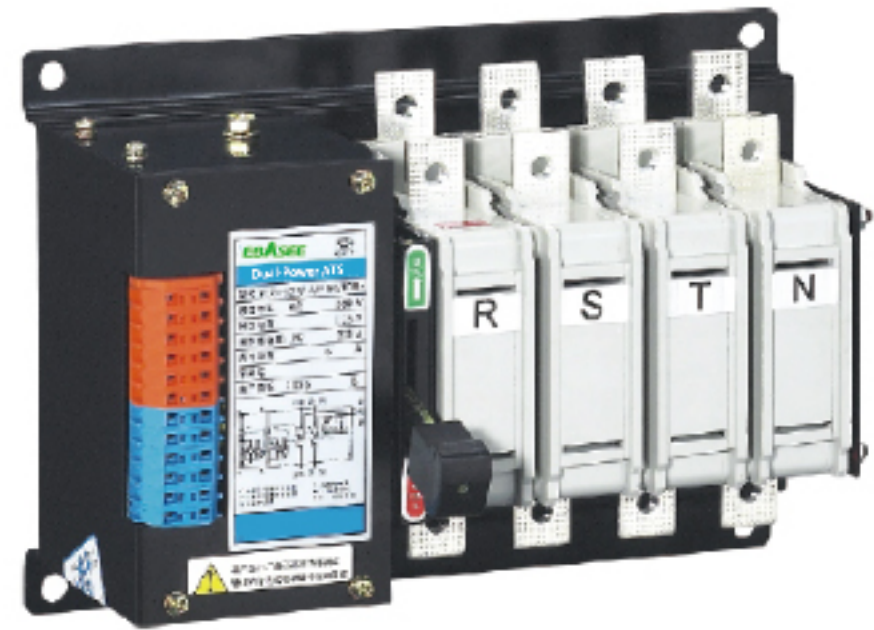
Code	Pole number	EATS3-32NA	EATS3-125NA
A	2P	216	237
	3P	243	274
	4P	270	311
B	2P	196	217
	3P	223	254
	4P	250	291
E		12	20
F		27	37

#### [NA] type EATS specifications

Item	EATS3-32NA	EATS3-40NA	EATS3-63NA	EATS3-125NA								
Rated current (A)	16, 25, 32	40	63	125								
Operating current (A)	3.5											
Rated short-time withstand current (kA)	5											
Life time	mechanical											
	electrical											
Pole number	2P	3P	4P	2P	3P	4P	2P	3P	4P	2P	3P	4P
Weight (kg)	4.2	4.7	5.2	5	5.5	6.5	5	5.5	6.5	5	5.5	6.5
Operating period(Times/S)	10											

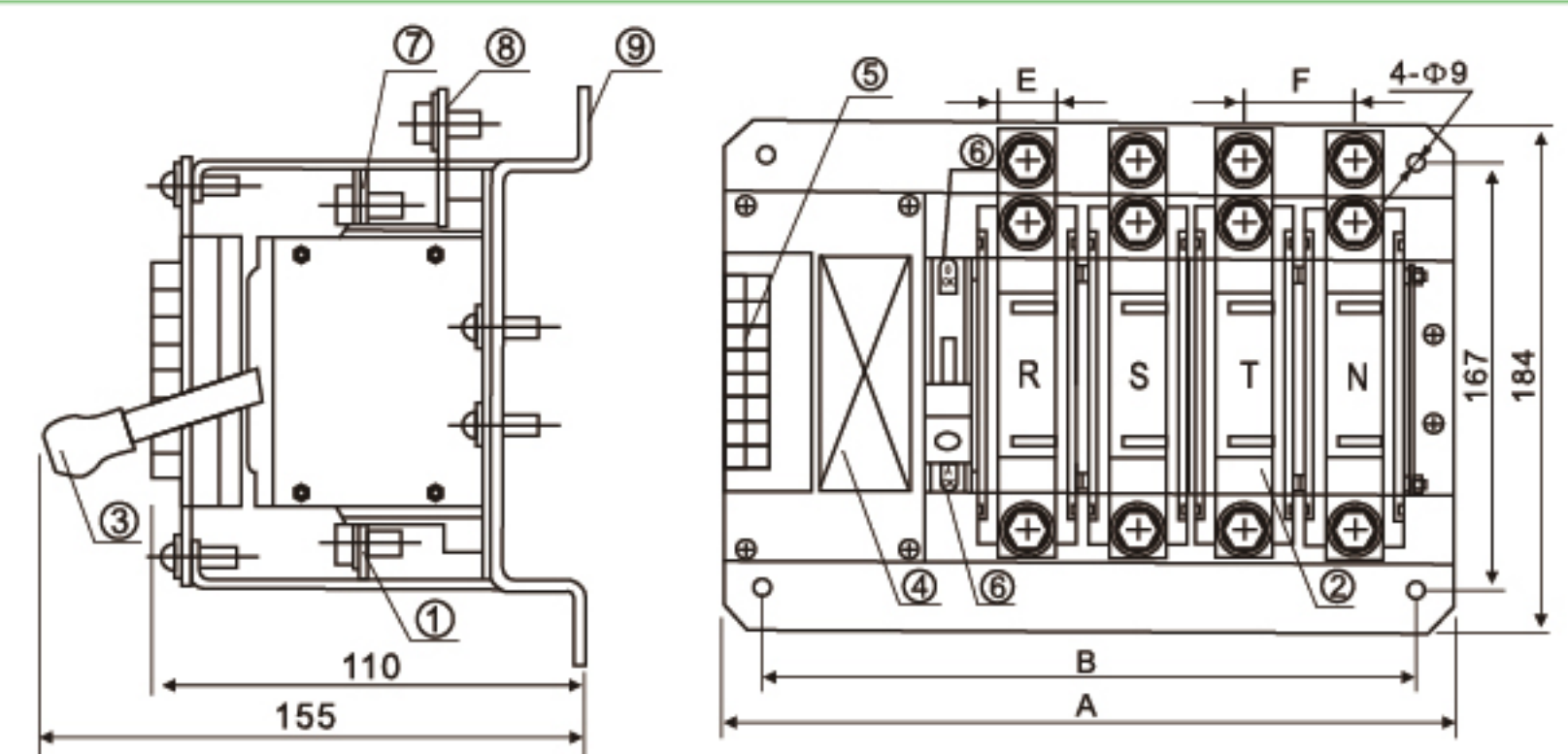
4.2 [N] Type EATS(two sections split type)

[N] Type EATS dimension drawing



If you need, switch handle can be removed, the total height is 110 mm only

Match with B type controller



- 1>Loading bus line
  - 2.Power source module
  - 3.Debug handle
  - 4.Label
  - 5Terminal
  - 6.Mechanical indicator of power source changeover
  - 7.Main power bus line
  - 8.Back up bus line
  - 9.Base
- Intelligent controller installation and trepanning dimension drawing (total depth 76mm, inside depth of cabinet (65mm))



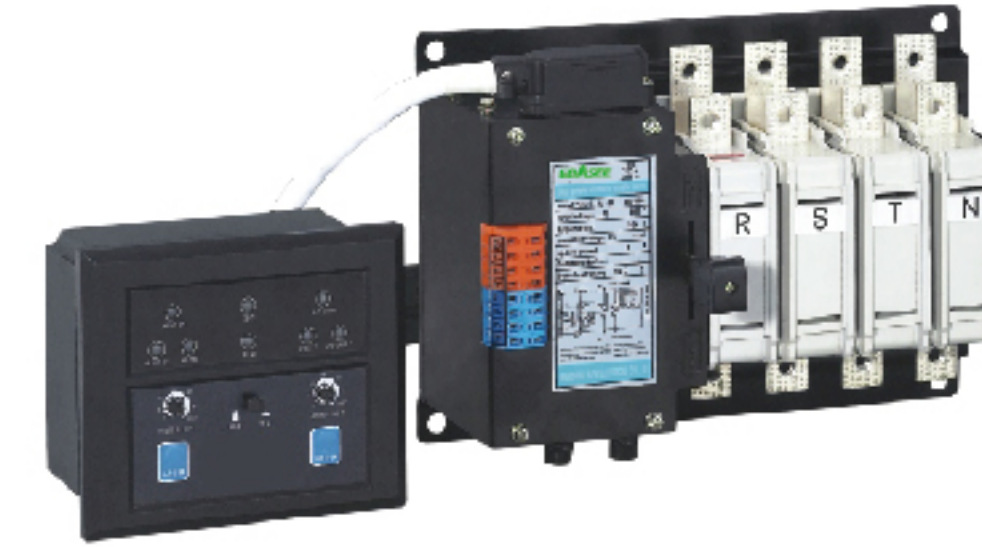
Code	pole	EATS3-32N	EATS3-40N	EATS3-63N	EATS3-125N
A	2P	170		191	
	3P	197		228	
	4P	224		265	
B	2P	150		171	
	3P	177		208	
	4P	204		245	
E		12		20	
F		27		37	

[N] type EATS specifications

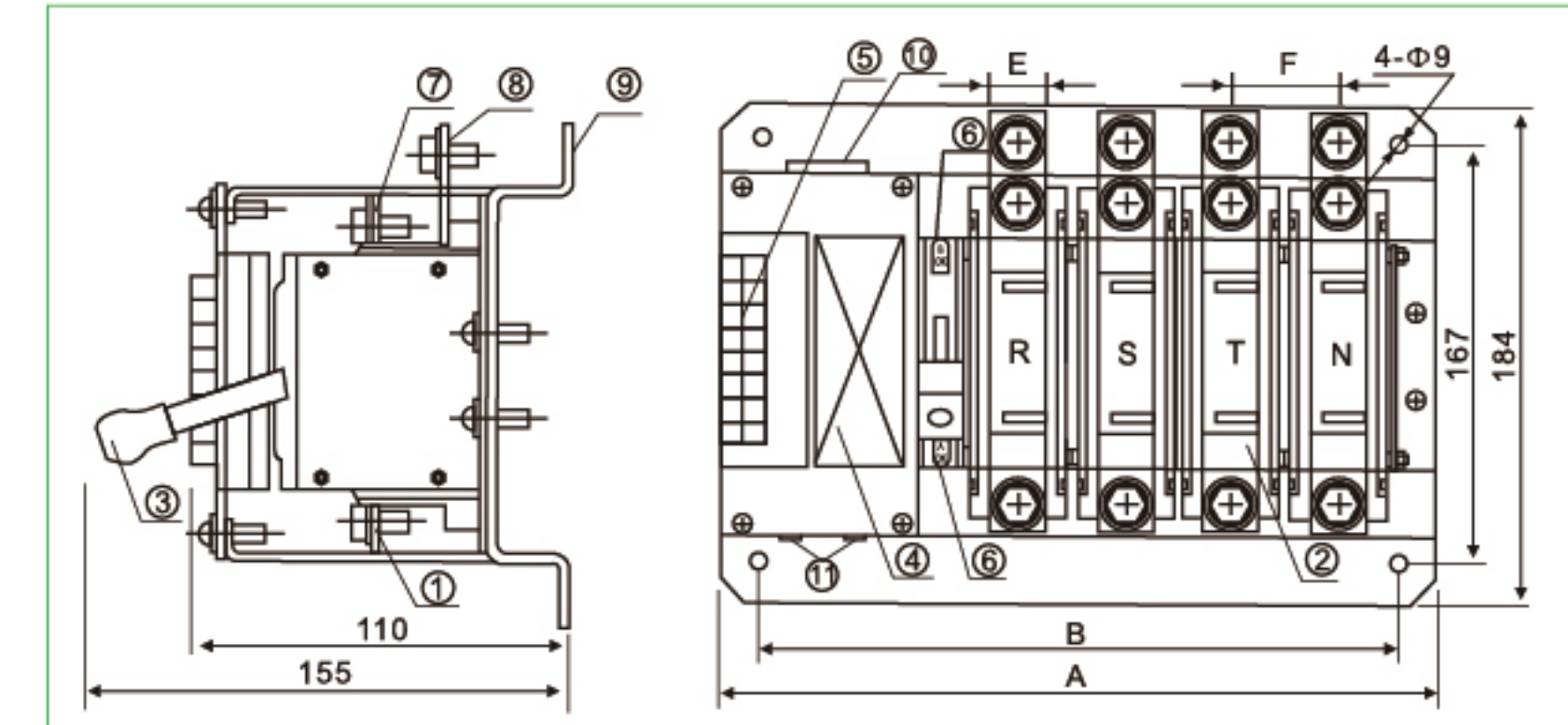
Item	EATS3-32N		EATS3-40N		EATS3-63N		EATS3-125N					
Rated current (A)	25, 32		40		63		125					
Operating current (A)			3.5									
Rated short-time withstand current (kA)			5									
Life time	mechanical		8000									
	electrical		3000									
Pole number	2P	3P	4P	2P	3P	4P	2P	3P	4P	2P	3P	4P
Weight (kg)	3.2	3.7	4.2	4	4.5	5.5	4	4.5	5.5	4	4.5	5.5
Operating period(Times/S)			10									

4.3 [C] Type EATS(two sections split type)

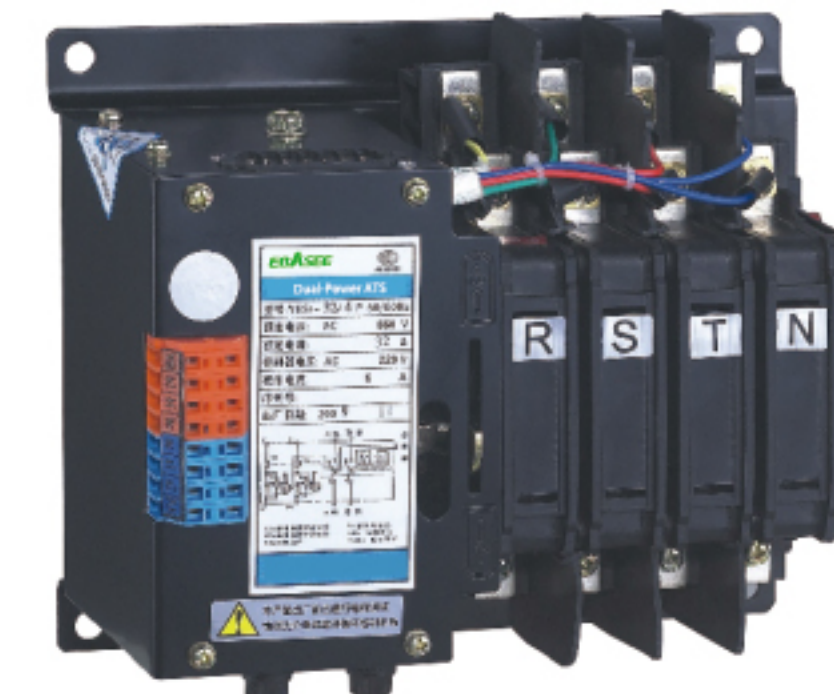
[C] Type EATS dimension drawing



Total height is 110mm  
Match with D、H controller



- 1.Load bus line
  - 2.Power module
  - 3.Adjust handle
  - 4.Label
  - 5.Wiring terminal
  - 6.Mechanical indication of power conversion
  - 7.Main power bus line
  - 8.Backup power bus line
  - 9.Base
  - 10.Controller connection socket
  - 11.10A fuse
- Intelligent controller installation dimension chart (total depth 76mm, depth in the 65mm)

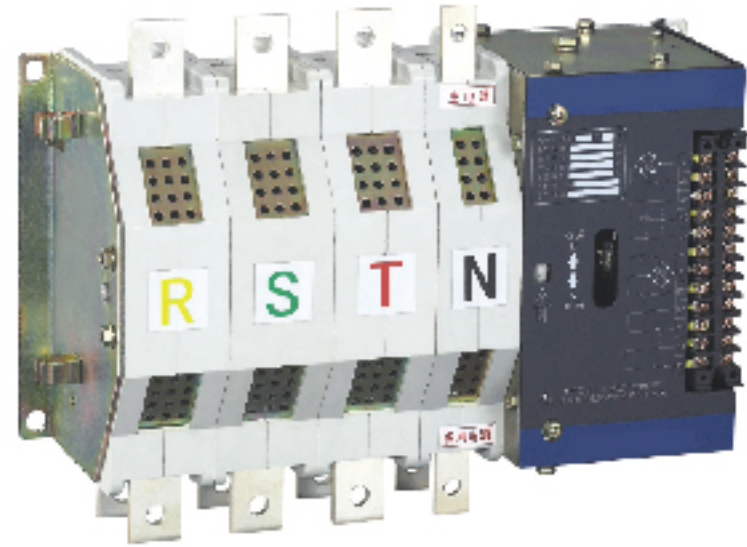


Code	pole	EATS3-32C	EATS3-40C	EATS3-63C	EATS3-125C
A	2P	170		191	
	3P	197		228	
	4P	224		265	
B	2P	150		171	
	3P	177		208	
	4P	204		245	
E		12		20	
F		27		37	

[C] type EATS specifications

Item	EATS3-32C		EATS3-40C		EATS3-63C		EATS3-125C					
Rated current (A)	25, 32		40		63		125					
Operating current (A)			3.5									
Rated short-time withstand current (kA)			5									
Life time	mechanical		8000									
	electrical		3000									
Pole number	2P	3P	4P	2P	3P	4P	2P	3P	4P	2P	3P	4P
Weight (kg)	3.2	3.7	4.2	4	4.5	5.5	4	4.5	5.5	4	4.5	5.5
Operating period(Times/S)			10									

4.4 [NA N C] Type EATS(two sections) 160A~400A



EATS3 N type  
Rated current: 160A~400A

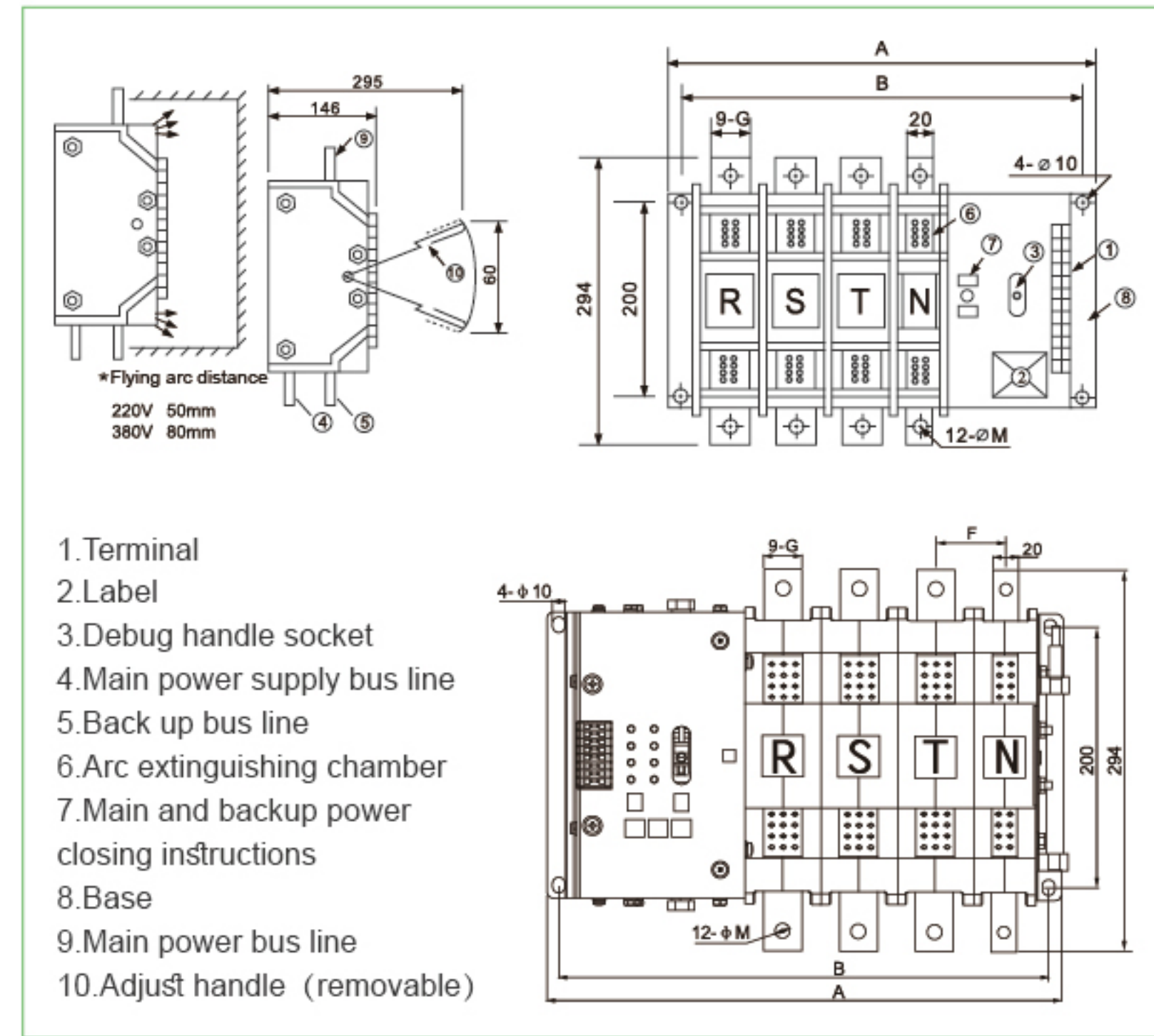


EATS3 NA type  
Rated current: 160A ~ 400A



EATS3 C type  
Rated current: 160A ~ 400A

[NA,N,C] type EATS dimension drawing



- 1.Terminal
- 2.Label
- 3.Debug handle socket
- 4.Main power supply bus line
- 5.Back up bus line
- 6.Arc extinguishing chamber
- 7.Main and backup power closing instructions
- 8.Base
- 9.Main power bus line
- 10.Adjust handle (removable)

Code	Pole	EATS3-160	EATS3-200	EATS3-250	EATS3-315	EATS3-400
A	3P		322			352
	4P		372			402
B	3P		302			332
	4P		352			382
G			20			30
M			8			10
F	4P				400N/C-3 is 59; 400N/C-4P between Tand N is 54	

[NA,N,C] type 160A~400A EATS specifications

Item	EATS3-160	EATS3-200	EATS3-250	EATS3-315	EATS3-400
Rated current (A)	160	200	250	315	400
Operating current (A)	7				
Rated short-time withstand current (kA)	15				
Life time	mechanical 6000				
	electrical 2000				
Pole number	3P 4P	3P 4P	3P 4P	3P 4P	3P 4P
Weight (kg)	16 18	18 19	18 20	18.5 20.5	19 21
Operating period(Times/S)	15				

4.5 [M] Type EATS

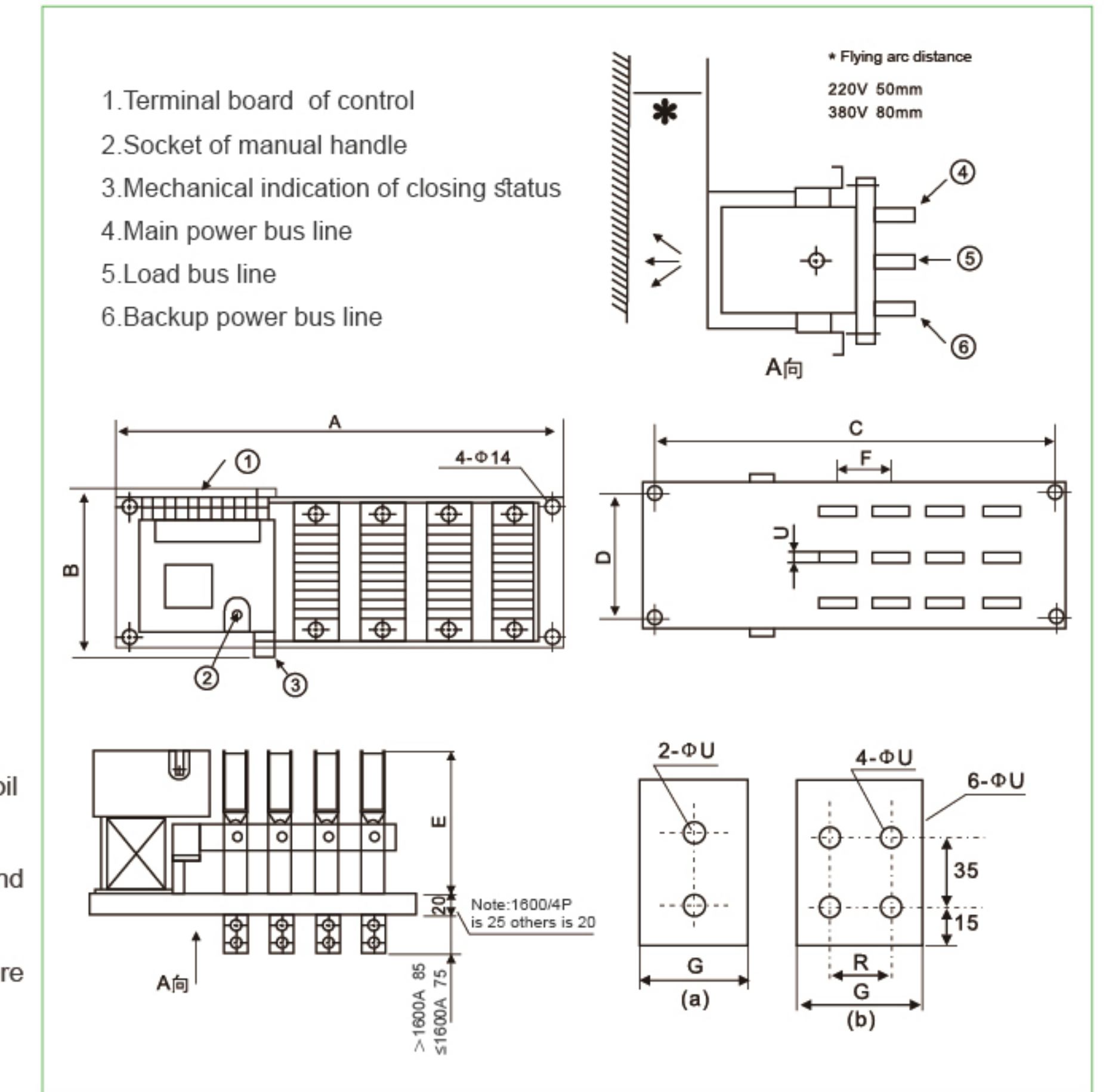


Rated current: 630A~1600A  
Match with B type controller

Main function

- >Open and close operate with a electromagnetic coil
- >Easy structure easy maintain
- >High capacity contact, new designreliable and moveable contact, strong overload ability
- >No extra electric conduction parts, Simple structure but long service life

[M] type EATS dimension drawing



Code	pole	EATS3-630M	EATS3-800M	EATS3-1000M	EATS3-1250M	EATS3-1600M
A	3P			530		640
	4P			600		750
C	3P			490		580
	4P			560		710
B				280		
D				210		
E				250		
F		90	90	90	90	130
G		30 (a)	40 (a)	45 (a)	55 (a)	75 (b)
R						40
U				12		14

[M] type Dual-Power ATS specifications

Item	EATS3-630M		EATS3-800M		EATS3-1000M		EATS3-1250M		EATS3-1600M			
Rated current (A)	630		800		1000		1250		1600			
Operating current (A)	16											
Rated short-time withstand current (kA)	15		18		20		25		32			
Life time	mechanical		3000									
	electrical		1000									
Pole number	3P	4P	3P	4P	3P	4P	3P	4P	3P	4P		
Weight (kg)	37	42.5	39	46	41	48	48	57	56	67		
Operating period(S/Times)	15		20		25		25		25			